

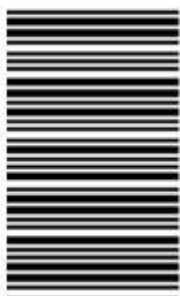
251

F

نام:

نام خانوادگی:

محل امضا:



251F

عصر پنج‌شنبه

۹۵/۰۲/۱۶



«اگر دانشگاه اصلاح شود مملکت اصلاح می‌شود.»

امام خمینی (ره)

جمهوری اسلامی ایران  
وزارت علوم، تحقیقات و فناوری  
سازمان سنجش آموزش کشور

آزمون ورودی دوره‌های کارشناسی ارشد ناپیوسته داخل - سال ۱۳۹۵

نانو فناوری - نانو مواد - کد ۱۲۷۳

مدت پاسخگویی: ۱۸۰ دقیقه

تعداد سؤال: ۱۴۵

عنوان مواد امتحانی، تعداد و شماره سؤالات

ردیف	مواد امتحانی	تعداد سؤال	از شماره	تا شماره
۱	زبان عمومی و تخصصی (انگلیسی)	۳۰	۱	۳۰
۲	ریاضیات مهندسی	۱۵	۳۱	۴۵
۳	شیمی کاربردی (اصول محاسبات شیمی صنعتی، شیمی صنعتی I و II، اصول تصفیه آب و پساب‌های صنعتی، خوردگی فلزات)	۲۰	۴۶	۶۵
۴	فیزیک جدید	۲۰	۶۶	۸۵
۵	خواص فیزیکی و مکانیکی مواد	۳۰	۸۶	۱۰۵
۶	پدیده‌های انتقال (انتقال جرم، مکانیک سیالات، انتقال حرارت)	۲۰	۱۰۶	۱۲۵
۷	الکترونیک (۱ و ۲) و الکترومغناطیس مهندسی	۲۰	۱۲۶	۱۴۵

این آزمون نمره منفی دارد.

استفاده از ماشین حساب مجاز نیست.

حق چاپ، تکثیر و انتشار سؤالات به هر روش (الکترونیکی و ...) پس از برگزاری آزمون، برای تمامی اشخاص حقیقی و حقوقی تنها با مجوز این سازمان مجاز می‌باشد و با متخللین برابر مقررات رفتار می‌شود.

زبان عمومی و تخصصی (انگریسی):

**PART A: Vocabulary****Directions:** Choose the word or phrase (1), (2), (3), or (4) that best completes the blank. Then mark the correct choice on your answer sheet.

- 1- This evening's meeting is one in which important issues would be discussed; your attendance is -----.  
1) obligatory      2) didactic      3) relevant      4) explicit
- 2- After a long ----- between the former husband and wife over the custody of the child, the court finally decided to grant the custody to the mother.  
1) contradiction      2) cruelty      3) squabble      4) hesitation
- 3- In Australia, animals are reared on crop residue. Without the animals, these residues would have to be ----- by other means before another crop can be grown—often by burning.  
1) deprived of      2) disposed of      3) resorted to      4) alluded to
- 4- Unable to ----- the tyrannical rules and regulations at the hostel, young Vivian thought of escaping in the dark of the night.  
1) scold      2) acclaim      3) bear      4) treat
- 5- Why do some animals, such as humans, ----- to sleep, whereas others, such as elephants and giraffes, stand?  
1) require      2) snore      3) set up      4) lie down
- 6- With sixteen victories in a row, the Australian cricket team was looking quite unassailable, but they were finally ----- at the hands of the Indians.  
1) dispersed      2) vanquished      3) confronted      4) disregarded
- 7- The salesboy tried to persuade the old man to buy goods from him, but had to give up when the old man told him ----- that he would not buy anything from him.  
1) arbitrarily      2) haphazardly      3) unequivocally      4) necessarily
- 8- But he had become ----- to the rush and whirr of missiles, and now paid no heed whatever to them.  
1) inured      2) rendered      3) constrained      4) affirmed
- 9- The judge openly associated with racist organizations; nevertheless, he showed no ----- in his decisions during his career.  
1) uniqueness      2) dexterity      3) gratitude      4) prejudice
- 10- I don't have any explanation for his ----- behavior at last night's party, though I'm sure that he is quite apologetic about it.  
1) credible      2) resolute      3) distinct      4) bizarre

**PART B: Cloze Passage****Directions:** Read the following passage and decide which choice (1), (2), (3), or (4) best fits each space. Then mark the correct choice on your answer sheet.

Where do such creative sparks come from? How can we conjure them whenever we want? And why can that be (11) ----- anyway? A complete understanding isn't here yet, (12) ----- neuroscientists are already on the trail of (13) ----- . They also have some good news for each of us (14) ----- to ignite those inventive fires. As it turns out, (15) ----- our own muse may be easier than we think, especially if we learn to make a habit of it.

- 11- 1) infernally difficult so to do                      2) so infernally difficult to do  
3) difficult infernally to do so                      4) to do so infernally difficult
- 12- 1) in spite of                      2) however                      3) nonetheless                      4) but
- 13- 1) where and how does creativity arise                      2) creativity how and where it arises  
3) where and how creativity arises                      4) creativity does arise where and how
- 14- 1) who has ever struggled                      2) struggled ever  
3) have ever struggled                      4) ever to struggle
- 15- 1) we tap                      2) when we tap                      3) and taps                      4) tapping

### **PART C: Reading Comprehension:**

**Directions:** Read the following three passages and answer the questions by choosing the best choice (1), (2), (3), or (4). Then mark the correct choice on your answer sheet.

#### **PASSAGE 1:**

Traditionally, doses are measured in terms of mass because the harmful effects of any substance depend on the mass of the substance to which the individual is exposed. However, for nanoparticles it is more reasonable to measure doses also in terms of number of particles and their surface area because these parameters further determine the interactions of nanoparticles with biological systems.

Several hypotheses were proposed for the adverse health effects of nanoparticles as part of ambient air pollution. These hypotheses address nanoparticle characteristics, their distribution, and their effects on organ systems, including effects on immune and inflammatory systems.

However, some of these hypotheses may be of limited or no relevance for engineered nanoparticles. For instance, the adhesion of toxic substances onto the surface of nanoparticles may be of less relevance for production and handling facilities of large volumes of engineered nanoparticles compared to the particles in ambient air.

In addition, drawing conclusions from tests on healthy animal models may be unsuitable as some of the effects of nanoparticles may only be a risk for susceptible organisms and predisposed individuals, but not to healthy people. For instance, age, respiratory tract problems and other pollutants can modify the pulmonary inflammation and oxidative stress induced by nanoparticles.

Because of the specific characteristics of nanoparticles, conventional toxicity tests may not be enough to detect all their possible harmful effects. Therefore, a series of specific tests was proposed to assess the toxicity of nanoparticles used in drug delivery systems. One mechanism of toxicity of nanoparticles is likely to be the induction of oxidative stress in cells and organs. Testing for interaction of nanoparticles with proteins and various cell types should be considered as part of the toxicological evaluation.

With the exception of airborne particles delivered to the lung, information on the behavior of nanoparticles in the body including distribution, accumulation, metabolism, and organ specific toxicity is still minimal.

- 16- **How are the harmful effects of nanoparticles assessed?**
- 1) In terms of the interactions of nanoparticles with biological systems.
  - 2) In terms of the mass number and surface area of the nanoparticles.
  - 3) In terms of both the number and surface area of the nanoparticles.
  - 4) In terms of the number of the nanoparticles.

- 17- **What hypotheses were proposed for the adverse health effects of ambient air pollution?**
- 1) Nanoparticle characteristics and their size.
  - 2) Nanoparticle characteristics and their size distribution.
  - 3) Nanoparticle characteristics, their size and their size distribution.
  - 4) Nanoparticle characteristics, their distribution, and their effects on organ systems.
- 18- **Why drawing conclusions from tests on healthy animal models may be unsuitable?**
- 1) Because the pollutants cannot modify the pulmonary inflammation.
  - 2) Because drawing conclusions from respiratory tract tests are suitable.
  - 3) Because some of the effects of nanoparticles may not be a risk to healthy people.
  - 4) Because the effects of nanoparticles may only be a risk for susceptible organisms.
- 19- **Why may the conventional toxicity tests not be enough when it comes to nanoparticles?**
- 1) Because of the toxicity of nanoparticles used in drug delivery systems.
  - 2) Because of the induction of oxidative stress in cells and organs.
  - 3) Because of the testing for interaction of nanoparticles.
  - 4) Because of the specific characteristics of nanoparticles.
- 20- **How much do we know about nanoparticles delivered to the lung?**
- 1) Their distribution is well known.
  - 2) Their harmful effect is relatively well known.
  - 3) Their distribution and accumulation is well known.
  - 4) Their distribution, accumulation, and organ specific toxicity is well known.

### PASSAGE 2:

When carbon atoms form layered structures, such as in many-layered graphite or single-layered graphene, they are arranged in a flat 2D hexagonal pattern. When single-layered graphene is rolled up, it forms a single-walled nanotube (SWNT). There are different angles at which the graphene layer can be rolled, called its chirality, and this, together with the diameter of the carbon nanotube, dictates its electrical properties. SWNTs can be metallic or semiconducting in behaviour. Graphene can also be rolled up like a scroll, or nanotubes can be inserted one into another to form multi-walled nanotubes (MWNTs).

As the name suggests, carbon nanotubes exist at the nanoscale - their diameters are around 0.8-20nm, although they can often be many million times longer. Nanoscale effects bestow record-breaking properties on carbon nanotubes. But, despite their astounding promise at the laboratory scale, potential applications are limited by the difficulty of producing unbundled nanotubes with distinct chirality.

Most current industrial applications of carbon nanotubes are those that can tolerate unorganised bundles of them. These tend to exploit the phenomenal strength, hardness and stiffness of carbon nanotubes properties which arise from their chemical bonds. A tensile strength of 100 GPa has been measured for an individual MWNT, beating other industrial fibres tenfold, although the bundling reduces this in practice. Incorporating MWNT powders in polymer composites enhances their mechanical properties, including damping, making these materials useful in high-end sporting goods such as tennis rackets, baseball bats and bicycle frames, in turbine blades and in hulls for boats.

- 21- Which property can affect electrical properties of a single wall nanotube?
- 1) The diameter that dictates.
  - 2) Diameter and angle of carbon.
  - 3) Chirality, and the diameter of the nanotube.
  - 4) Angle at which the grapheme layer is rolled and the diameter of the layer.
- 22- What happens if graphene is rolled like a scroll?
- 1) Multi-walled nanotubes are formed.
  - 2) It becomes metallic or semiconducting.
  - 3) Nanotubes are inserted one into another.
  - 4) They behave like metals.
- 23- What is the practical obstacle preventing carbon nanotubes from fulfilling their potential on an industrial scale?
- 1) Astounding promises at laboratory scale.
  - 2) Limitation imposed by unbundling distinct chirality.
  - 3) Difficulty producing bundles of carbon nanotubes with distinct chirality.
  - 4) Production of ordered bunches of carbon nanotubes all having the same chirality.
- 24- What is the reason for extraordinary mechanical properties of carbon nanotubes?
- 1) Single layer hexagonal pattern.
  - 2) Presence of a flat 2 D atomic structure.
  - 3) Chemical bonds.
  - 4) Phenomenal strength, hardness and stiffness.
- 25- What is the approximate value for the tensile strength (Gpa) of a typical industrial fibre?
- 1) 10
  - 2) 90
  - 3) 100
  - 4) 1000

**PASSAGE 3:**

Nickel-Titanium (NiTi) alloy arch wires have been used widely in clinical orthodontic treatment because of their extraordinary properties of shape memory and super-elasticity. NiTi alloy has two different temperature dependent crystallographic structures, i.e. austenite at higher temperatures and martensite at lower temperatures. This temperature-dependent phase transformation is from austenite to martensite during cooling, while the reverse transformation from martensite to austenite starts upon heating. Shape memory refers to the ability of certain material that "remember" their original shapes even after severe deformations. NiTi alloys is one of main types of alloys that possess such shape memory properties, e.g. after a sample of NiTi alloys has been deformed from its original crystallographic configuration at low temperatures (martensitic phase), it regains its original geometry by itself during heating (austenite phase). Therefore, the shape memory property of NiTi alloys have been utilized in arch wires to straighten dentition.

The shape memory effect of NiTi arch wires is largely determined by the phase transition temperature. When the phase transition temperature of a NiTi arch wire is close to oral temperature, the yield strength of shape memory could be up to maximum. There are dozens of NiTi arch wires with different brand names currently on the Chinese market.

- 26- Base on this passage, a reason for using NiTi alloy arch wire in clinical orthodontic treatment is -----.
- 1) hardness
  - 2) roughness
  - 3) stiffness
  - 4) super-elasticity

- 27- Which phase transformation occurs during heating of NiTi alloy?  
 1) Austenite to martensite                      2) Ferrite to martensite  
 3) Martensite to ferrite                        4) Martensite to austenite
- 28- Which selection is correct?  
 1) NiTi alloy is a shape memory alloy.  
 2) All shape memory alloys are austenitic.  
 3) The phase transition temperature of NiTi is about 200 °C  
 4) NiTi alloy has a martensite phase structure at elevated temperature.
- 29- What is the reason for using NiTi alloy in orthodontic treatment?  
 1) High ductility  
 2) High strength  
 3) High phase transition temperature  
 4) Phase transition temperature of NiTi alloy being close to body temperature.
- 30- "Dentition" means -----.  
 1) deterioration      2) devotion              3) teeth                      4) transition

ریاضیات مهندسی:

۳۱- اگر  $z$  یک عدد مختلط باشد،  $|ze^{\frac{i\pi}{2}} - z|$  کدام است؟

(۱)  $\frac{1}{2}|z|$                       (۲)  $\frac{1}{2}|z+1|$                       (۳)  $|z|$                       (۴)  $|z+1|$

۳۲- اگر  $u(x, y) = e^{-x}(x \sin y - y \cos y)$  باشد مزدوج همساز (هارمونیک)  $u$ ، کدام یک از گزینه‌های زیر است؟

(۱)  $e^{-x}(x \cos y - y \sin y)$                       (۲)  $e^{-x}(x \sin y - y \cos y)$

(۳)  $e^{-x}(y \cos y + x \sin y)$                       (۴)  $e^{-x}(y \sin y + x \cos y)$

۳۳- اگر  $v(x, y)$  مزدوج همساز  $u(x, y) = 2x - x^2 + 2xy^2$  و  $v(0, 0) = 1$  باشد، مقدار  $v(1, 1)$  کدام است؟

(۱) ۱                      (۲) ۳                      (۳) ۲                      (۴) ۴

۳۴- تابع  $f(z) = \csc\left(\frac{1}{z+1}\right)$  از متغیر مختلط  $z$  را در نظر بگیرید. در مورد نقاط تکین و قطب‌های تابع کدام عبارت درست است؟

(۱) بی‌نهایت قطب مکرر دارد.

(۲)  $z = -1$  تنها نقطه تکین تابع است.

(۳) قطب ندارد و فقط یک نقطه تکین اساسی دارد.

(۴) بی‌نهایت قطب ساده و یک نقطه تکین غیر تنها (تکین انباشته) دارد.

۳۵- در بسط لوران مقدار اصلی  $(1+z)^{\frac{1}{2}}$  حول  $z=0$ ، ضریب  $z^2$  کدام است؟

(۱)  $-\frac{11}{24}e$                       (۲)  $\frac{11}{24}e$

(۳)  $-\frac{13}{24}e$                       (۴)  $\frac{13}{24}e$

۳۶- بسط لوران تابع  $f(z) = \frac{1}{z(z-1)(z-2)}$  حول نقطه صفر در مجموعه  $\{z \in \mathbb{C} : 0 < |z| < 1\}$  کدام است؟

$$\begin{aligned} \frac{1}{z} - \sum_{n=0}^{\infty} \left(1 - \frac{1}{2^{n+2}}\right) z^n & \quad (۲) & \frac{1}{z} + \sum_{n=0}^{\infty} \left(1 - \frac{1}{2^{n+2}}\right) z^n & \quad (۱) \\ \frac{1}{2z} - \sum_{n=0}^{\infty} \left(1 - \frac{1}{2^{n+2}}\right) z^n & \quad (۴) & \frac{1}{2z} + \sum_{n=0}^{\infty} \left(1 - \frac{1}{2^{n+2}}\right) z^n & \quad (۳) \end{aligned}$$

۳۷- مقدار انتگرال مختلط  $\int_{|z|=2} \frac{\cosh z}{z^2 - 3iz} dz$  ، کدام است؟

$$\begin{aligned} -\frac{2\pi i}{3} & \quad (۲) & -\frac{2\pi}{3} & \quad (۱) \\ \frac{2\pi i}{3} & \quad (۴) & \frac{2\pi}{3} & \quad (۳) \end{aligned}$$

۳۸- سری فوریه تابع  $f(x) = 4 \sin x \cos^2 x$  کدام است؟

$$\begin{aligned} \sin x - \sin 3x & \quad (۲) & \sin x + \sin 3x & \quad (۱) \\ 3 \sin x - 4 \sin 3x & \quad (۴) & 3 \sin x + 4 \sin 3x & \quad (۳) \end{aligned}$$

۳۹- مقدار  $b$  در بسط فوریه سینوسی تابع  $f(x) = x$  ،  $0 < x < 2$  با دوره تناوب ۴، کدام است؟

$$\begin{aligned} \frac{4}{2\pi} & \quad (۲) & \frac{4}{4\pi} & \quad (۱) \\ -\frac{4}{2\pi} & \quad (۴) & -\frac{4}{4\pi} & \quad (۳) \end{aligned}$$

۴۰- اگر  $\frac{\pi^2}{3} + \sum_{n=1}^{\infty} \frac{(-1)^n}{n^2} \cos(nx)$  سری فوریه تابع  $f(x) = x^2$  ،  $-\pi \leq x \leq \pi$  باشد، سری فوریه تابع

$g(x) = x(\pi^2 - x^2)$  کدام است؟

$$\begin{aligned} 12 \sum_{n=1}^{\infty} \frac{(-1)^{n+1}}{n^2} \sin(nx) & \quad (۲) & 12 \sum_{n=1}^{\infty} \frac{(-1)^n}{n^2} \sin(nx) & \quad (۱) \\ 12 \sum_{n=1}^{\infty} \frac{(-1)^{n+1}}{n^2} \sin(nx) & \quad (۴) & 12 \sum_{n=1}^{\infty} \frac{(-1)^n}{n^2} \sin(nx) & \quad (۳) \end{aligned}$$

۴۱- اگر  $\frac{4}{\pi} \sum_{n=1}^{\infty} \frac{(-1)^{n+1}}{n} \sin \frac{n\pi x}{2}$  سری فوریه  $f(x) = x$  برای  $0 < x < 2$  باشد، ضریب  $\cos \pi x$  در بسط فوریه تابع

$x(x-1)$  کدام است؟

$$\begin{aligned} \frac{4}{\pi^2} & \quad (۲) & \frac{2}{\pi^2} & \quad (۱) \\ \frac{8}{\pi^2} & \quad (۴) & \frac{6}{\pi^2} & \quad (۳) \end{aligned}$$

۴۲- در معادله انتگرال  $\int_0^{\infty} f(w) \cos x dx$ ، تابع  $f(w)$  کدام است؟

$$\begin{cases} \frac{1}{2} & 0 \leq x < 1 \\ \frac{1}{4} & x = 1 \\ 0 & x > 1 \end{cases}$$

$$\frac{2 \sin w}{w} \quad (2)$$

$$\frac{\sin w}{\pi w} \quad (4)$$

$$\frac{2 \sin w}{\pi w} \quad (1)$$

$$\frac{\sin w}{w} \quad (3)$$

۴۳- جواب مسئله  $\begin{cases} \frac{\partial^2 u}{\partial x \partial y} = 4 \\ u_x(x, 0) = 2, u_y(0, y) = -5 \\ u(0, 0) = 2 \end{cases}$ ، کدام است؟

$$4xy - 5x + 2y - 2 \quad (2)$$

$$4xy + 2x - 5y - 2 \quad (4)$$

$$4xy - 5x + 2y + 2 \quad (1)$$

$$4xy + 2x - 5y + 2 \quad (3)$$

۴۴- اگر  $U(x, s)$  تبدیل لاپلاس  $u(x, t)$  باشد، تبدیل لاپلاس  $\begin{cases} u_x + u_t + u = xt \\ u(x, 0) = 0 \end{cases}$ ، کدام است؟

$$U_x + (s+1)U = \frac{x}{s} \quad (2)$$

$$U_x + (s+1)U = \frac{x}{s^2} \quad (4)$$

$$U_x - (s+1)U = \frac{x}{s} \quad (1)$$

$$U_x - (s+1)U = \frac{x}{s^2} \quad (3)$$

۴۵- تغییر متغیر  $u(x, t) = w(x, t) + F(x)$  مسئله  $\begin{cases} u_t = 4u_{xx} + \sin x \\ u(0, t) = 1, u_x(0, t) = -1 \\ u(x, 0) = f(x) \end{cases}$  را به معادله همگن یا شرایط مرزی همگن

بر حسب  $w$  تبدیل می‌کند، تابع  $F(x)$  کدام است؟

$$F(x) = -\frac{1}{4} \sin x - \frac{3}{4}x + 1 \quad (2)$$

$$F(x) = \frac{1}{4} \sin x - \frac{3}{4}x + 1 \quad (4)$$

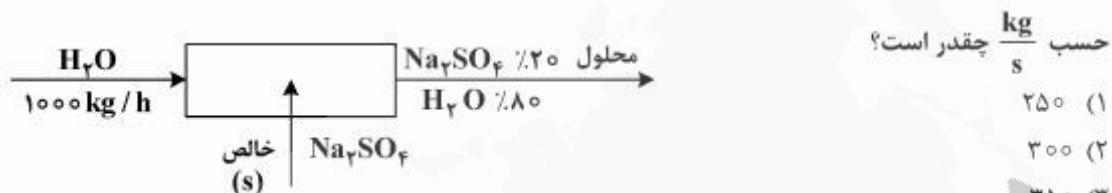
$$F(x) = -\frac{1}{4} \sin x - \frac{1}{4}x + 1 \quad (1)$$

$$F(x) = \frac{1}{4} \sin x - \frac{5}{4}x + 1 \quad (3)$$



شیمی کاربردی (اصول محاسبات شیمی صنعتی، شیمی صنعتی I و II، اصول تصفیه آب و پساب‌های صنعتی، خوردگی فلزات):

۴۶- برای ساختن محلول ۲۰٪ سولفات سدیم در آب از شکل زیر استفاده می‌شود. میزان سولفات سدیم (S) بر



- (۱) ۲۵۰  
 (۲) ۳۰۰  
 (۳) ۳۵۰  
 (۴) ۴۵۰

۴۷- اگر  $300\text{m}^3$  گاز متان در شرایط  $27^\circ\text{C}$  و  $1\text{atm}$  را به شرایط  $400\text{K}$  و  $4\text{atm}$  انتقال دهیم، چه حجمی بر حسب متر مکعب خواهیم داشت (گاز را ایده‌آل فرض کنید)؟

- (۱) ۱۰۰  
 (۲) ۱۲۵  
 (۳) ۱۵۰  
 (۴) ۲۰۰

۴۸- ضریب انتقال جرم در یک سیستم، معادل  $\frac{\text{gmol}}{\text{cm}^2 \cdot \text{s}}$  شده است. این ضریب بر حسب  $\frac{\text{kmol}}{\text{m}^2 \cdot \text{hr}}$  تقریباً چقدر است؟

- (۱)  $11 \times 10^3$   
 (۲)  $11 \times 10^4$   
 (۳)  $25,7 \times 10^4$   
 (۴)  $3,94 \times 10^4$

۴۹- کدام معادله برای موازنه کلی انرژی یک سیستم باز تک جریان بدون واکنش شیمیایی صحیح است؟

$$\Delta E = [(\hat{H} + \hat{K} + \hat{P})m] + W - Q \quad (1)$$

$$\Delta E = -[(\hat{H} + \hat{K} + \hat{P})m] + Q - W \quad (2)$$

$$\Delta E = [(\hat{H} + \hat{K} + \hat{P})m] + Q - W \quad (3)$$

$$\Delta E = [(\hat{H} + \hat{K} + \hat{P})m] + Q \quad (4)$$

۵۰- گاز متان را با اکسیژن خالص به‌طور استوکیومتری می‌سوزانیم. گازهای خروجی چند درصد مولی  $\text{CO}_2$  دارند؟ (احتراق کامل است)

- (۱) ۲۸/۲  
 (۲) ۳۰  
 (۳) ۳۳/۳  
 (۴) ۴۰

- ۵۱- معادله برنولی برای کدام یک از شرایط زیر قابل استفاده است؟  
 (۱) حرکت گاز در یک لوله مدور که فشار و درجه حرارت در آن تغییر می کند.  
 (۲) حرکت مایع در یک لوله مدور با تغییرات فشار، ارتفاع و سرعت  
 (۳) حرکت مایع در یک لوله مدور که به تدریج فاز مایع به فاز بخار تبدیل می شود.  
 (۴) حرکت گاز در یک لوله مدور که فشار و درجه حرارت در آن تغییر می کند.
- ۵۲- ضریب نفوذ مولکولی بخار اتانول در بخار آب  $\frac{\text{cm}^2}{\text{s}}$  ۰/۶ محاسبه شده است در شرایط یکسان ضریب نفوذ مولکولی اتانول مایع در آب برحسب  $\frac{\text{cm}^2}{\text{s}}$  حدوداً چقدر است؟  
 (۱) ۰/۱ (۲)  $۰/۶ \times ۱۰^{-۱}$   
 (۳)  $۱ \times ۱۰^{-۲}$  (۴)  $۱ \times ۱۰^{-۵}$
- ۵۳- کدام یک از جامدات زیر بهتر می تواند جلوی انتقال حرارت از طریق هدایت را بگیرد؟  
 (۱) چوب (۲) شیشه  
 (۳) آجر نسوز (۴) چوب پنبه
- ۵۴- یک برج تقطیر که با نسبت برگشت ۳ کار می کند از طریق روش McCabe بررسی می شود. نسبت دبی مولی مایع به دبی مولی بخار در بالای محل ورود خوراک چقدر است؟  
 (۱) ۰/۵ (۲) ۰/۶  
 (۳) ۰/۷۵ (۴) ۰/۹
- ۵۵- فرمول  $\ln \frac{L_1}{L_2} = \int_{x_2}^{x_1} \frac{dx}{y-x}$  برای چه عملی بکار گرفته می شود؟  
 (۱) تبخیر ساده یا تبخیر جزئی (۲) برای تقطیر در حالت برگشت کامل  
 (۳) تبخیر ناگهانی (۴) برای تقطیر در حالت حداقل نسبت برگشت
- ۵۶- در فرایند تصفیه لجن فعال برای حذف آمونیاک موجود در فاضلاب کدام روش هوادهی زیر موثرتر است؟  
 (۱) عادی (۲) ممتد (۳) مرحله ای (۴) تثبیت و تماس
- ۵۷- کدام یک از روش های تصفیه به ترتیب برای حذف FSS و VDS از فاضلاب های شهر به کار می رود؟  
 (۱) ته نشینی، شناورسازی (۲) دانه گیر، فرآیند بیولوژیکی  
 (۳) شناورسازی، اکسیداسیون شیمیایی (۴) فرآیند بیولوژیکی، شناورسازی
- ۵۸- در یک نمونه آب آبیاری مقادیر  $\text{Na}^+$ ،  $\text{Ca}^{++}$  و  $\text{Mg}^{++}$  به ترتیب برابرند با  $\frac{\text{mg}}{\text{L}}$  ۲۷۶،  $\frac{\text{mg}}{\text{L}}$  ۱۲۰ و  $\frac{\text{mg}}{\text{L}}$  ۲۴ مقدار SAR برابر کدام یک از موارد زیر است؟  
 (۱) ۶ (۲) ۱۳ (۳) ۱۵ (۴) ۳۵
- ۵۹- در یک تصفیه کننده بیولوژیکی از نوع لجن فعال که با هوادهی عادی کار می کند قابلیت ته نشینی لجن با افزایش مقدار (غذا به جرم بیولوژیکی)  $(\frac{F}{M})$  چگونه است؟  
 (۱) ثابت باقی می ماند. (۲) افزایش می یابد. (۳) کاهش می یابد. (۴) هیچگونه ارتباطی ندارد.

- ۶۰- آزمایش جار تست (Jar Test) در کدام فرایند تصفیه ضروری است؟  
 (۱) هوادهی (۲) شناورسازی (۳) رسوب سازی (۴) انعقاد سازی
- ۶۱- مقاومت الکتریکی خاک در خوردگی لوله های انتقال آب کار گذاشته شده در داخل زمین در کدام مورد اهمیت بیشتری دارد؟  
 (۱) در حالتی که فاصله آند و کاتد از همدیگر بسیار کم باشد.  
 (۲) در حالتی که آند و کاتد فاصله زیادی از هم داشته باشند.  
 (۳) در حالتی که خوردگی دو فلزی در داخل خاک مطرح باشد.  
 (۴) در حالتی که احیاء اکسیژن موجود در خاک واکنش کاتدی را تشکیل دهد.
- ۶۲- حضور گازهایی مثل  $SO_2$  و  $NO_2$  در اتمسفر صنعتی بیشتر به واسطه کدام علت موجب تشدید خوردگی فلزات می شود؟  
 (۱) کاهش pH بر روی سطح فلزات مرطوب و هضم لایه اکسید محافظ  
 (۲) کاهش pH روی سطح فلزات مرطوب و تقویت واکنش کاتدی احیاء یون  $H^+$   
 (۳) کاهش pH روی سطح فلزات مرطوب و حل نمودن فلز در زمان های طولانی  
 (۴) تردی سطح فلزات در نتیجه واکنش بین سطح فلزات با گازهای خورنده
- ۶۳- با توجه به اطلاعات زیر، رفتار مس درون آب اشباع شده از هوا چگونه است؟ در  $25^\circ C$

$$E^\circ_{Cu^{2+}/Cu} = 0.34V$$

$$E^\circ_{H_2O/H_2} = -0.06 pH$$

$$E^\circ_{O_2/H_2O} = 1.23 - 0.06 pH$$

- (۱) مس آب را احیاء می کند و گاز هیدروژن آزاد می شود.  
 (۲) مس آب را اکسید می کند و خورده نمی شود.  
 (۳) مس خورده می شود و آب احیاء می شود.  
 (۴) مس خورده می شود (اکسید) و اکسیژن احیاء می شود.
- ۶۴- کدام یک از طراحی های زیر برای انتقال سیال از یک مسیر لوله ای شکل برای جلوگیری از خوردگی مناسب تر است؟



- ۶۵- همه موارد زیر درباره خوردگی میکروبی درست هستند، به غیر از:
- (۱) باکتری‌های مسئول خوردگی از نوع هوازی یا غیرهوازی هستند.
  - (۲) محصول خوردگی ممکن است به صورت زنگ آهن دکمه شکل باشد.
  - (۳) محصول خوردگی ممکن است سولفید سیاه باشد.
  - (۴) می‌توان با استفاده از بازدارنده‌های آلی از خوردگی میکروبی ممانعت نمود.

## فیزیک جدید:

- ۶۶- یک موشک به طول  $20\text{ m}$  با سرعت  $0.6c$  نسبت به یک ناظر در امتداد طولش در حرکت است. تقریباً چند نانو ثانیه طول می‌کشد تا موشک از جلوی ناظر عبور کند؟

- (۱) ۵۳
- (۲) ۸۹
- (۳) ۱۱۱
- (۴) ۱۳۹

- ۶۷- بنا بر اندازه‌گیری ناظر  $O$  یک لامپ فلاش در نقطه‌ای با مختصات  $x = 90\text{ km}$ ،  $y = 12\text{ km}$  و  $z = 3\text{ km}$  در لحظه  $t = 5 \times 10^{-4}\text{ s}$  خاموش می‌شود. مختصات  $x'$ ،  $y'$ ،  $z'$ ،  $t'$  این رویداد بر طبق اندازه‌گیری ناظر  $O'$  که با سرعت  $0.8c$  در امتداد محور مشترک  $x - x'$  نسبت به ناظر  $O$  حرکت می‌کند کدام است؟ محورهای مختصات متناظر دو ناظر موازی هم و در لحظه  $t = t' = 0$  مبدأ مختصات آنها برهم منطبق بوده است.

- (۱)  $x' = -50\text{ km}$ ،  $y' = 12\text{ km}$ ،  $z' = 3\text{ km}$ ،  $t' = 8.6 \times 10^{-4}\text{ s}$
- (۲)  $x' = 50\text{ km}$ ،  $y' = 12\text{ km}$ ،  $z' = 3\text{ km}$ ،  $t' = 8.6 \times 10^{-4}\text{ s}$
- (۳)  $x' = 350\text{ km}$ ،  $y' = 20\text{ km}$ ،  $z' = 5\text{ km}$ ،  $t' = 12.6 \times 10^{-4}\text{ s}$
- (۴)  $x' = 350\text{ km}$ ،  $y' = 12\text{ km}$ ،  $z' = 3\text{ km}$ ،  $t' = 12.3 \times 10^{-4}\text{ s}$

- ۶۸- نسبت به ناظر  $O$  فوتونی در راستایی که با محور  $x$  زاویه  $45^\circ$  می‌سازد با سرعت  $c$  در حرکت است. ناظر  $O'$  که محورهای مختصات متناظر آن موازی ناظر  $O$  است در امتداد محور مشترک  $x - x'$  با سرعت  $0.8c$  در حرکت است. زاویه‌ای که فوتون نسبت به محور  $x'$  می‌سازد و سرعت آن نسبت به ناظر  $O'$  کدام است؟

- (۱)  $c \cdot \tan^{-1} \left( \sqrt{3} + \frac{\sqrt{6}}{2} \right)$
- (۲)  $c \cdot \tan^{-1} \left( -\frac{(\sqrt{2}+1)}{6} \right)$
- (۳)  $0.77c \cdot \tan^{-1} \left( \frac{2\sqrt{3} - \sqrt{6}}{3} \right)$
- (۴)  $0.5c \cdot 45^\circ$

۶۹- منبع نوری با طول موج  $560 \text{ nm}$  با سرعت  $0.4c$  به یک ناظر نزدیک می‌شود. طول موج نوری که این ناظر اندازه‌گیری می‌کند تقریباً چند نانومتر است؟

(۱) ۳۶۸

(۲) ۴۰۰

(۳) ۸۴۰

(۴) ۹۳۳

۷۰- ذره بنیادی  $K^0$  در حالت سکون به دو ذره  $\pi^0$  و  $\pi^+$  و می‌باشد. اگر انرژی سکون ذره  $K^0$  برابر  $500 \text{ MeV}$  و انرژی

سکون ذره  $\pi^0$  برابر  $140 \text{ MeV}$  باشد، تکانه خطی هریک از دو ذره  $\pi^0$  چند  $\frac{\text{MeV}}{c}$  است؟

(۱) ۶۵

(۲) ۱۱۰

(۳) ۲۰۷

(۴) ۲۸۵

۷۱- نوترون‌هایی با انرژی  $0.25 \text{ eV}$  باریک بلور فرود می‌آیند. اگر یک قله پراکندگی مرتبه اول از صفحات اصلی براگ

در زاویه  $30^\circ$  مشاهده شود، فاصله میان صفحات براگ تقریباً چند نانومتر است؟ جرم نوترون  $1.67 \times 10^{-27} \text{ kg}$  است.

(۱) ۰.۱۸

(۲) ۰.۳۹

(۳) ۰.۵۵

(۴) ۰.۷۸

۷۲- بیشینه تغییر طول موج در پراکندگی کامپتون یک فوتون از یک پروتون آزاد چند نانومتر است؟

$$m_p \cong 940 \frac{\text{MeV}}{c^2}$$

(۱)  $1/3 \times 10^{-6}$ (۲)  $1/5 \times 10^{-22}$ (۳)  $2/7 \times 10^{-6}$ (۴)  $2/9 \times 10^{-22}$ 

۷۳- نور به سطح فلز سدیم با تابع کار  $2.2 \text{ eV}$  برخورد می‌کند. اگر پتانسیل متوقف کننده برای الکترون‌های گسیلی از

سطح فلز  $7.87 \text{ V}$  باشد، طول موج نور تابشی به سطح فلز تقریباً چند نانومتر است؟

(۱) ۰.۱۲

(۲) ۰.۲۲

(۳) ۱۲۴

(۴) ۲۲۰

۷۴- یک لیزر هلیوم - نئون نوری با طول موج  $632.8 \text{ nm}$  و توان  $2.3 \text{ mW}$  گسیل می‌کند. چند فوتون در ثانیه از این لیزر گسیل می‌شود؟

(۱)  $7.3 \times 10^{15}$

(۲)  $4.8 \times 10^{18}$

(۳)  $4.8 \times 10^{21}$

(۴)  $7.3 \times 10^{24}$

۷۵- الکترونی در یک چاه پتانسیل بی‌نهایت یک بعدی در حالت  $n = 3$  به دام افتاده است. اگر انرژی این الکترون  $5 \text{ eV}$  باشد، پهنای این چاه تقریباً کدام است؟

(۱)  $0.2 \text{ nm}$

(۲)  $0.8 \text{ nm}$

(۳)  $0.2 \text{ } \mu\text{m}$

(۴)  $8 \text{ } \mu\text{m}$

۷۶- در یک چاه پتانسیل بی‌نهایت یک بعدی به عرض  $L$  ذره‌ای در حالت پایه به دام افتاده است. چگالی احتمال یافتن ذره در وسط چاه چند برابر چگالی احتمال یافتن ذره در فاصله  $\frac{L}{4}$  از یکی از دیواره‌های چاه است؟

(۱)  $\sqrt{2}$

(۲)  $2\sqrt{2}$

(۳) ۲

(۴) ۴

۷۷- الکترونی درون چاه پتانسیل بی‌نهایت دو بعدی با پهنای  $L_x = L$  و  $L_y = 2L$  به دام افتاده است. اگر الکترون گذاری از سومین حالت برانگیخته این چاه به اولین حالت برانگیخته انجام دهد، فرکانس نور تابشی چند برابر فرکانس نور تابشی در گذار الکترون از دومین حالت برانگیخته به حالت پایه است؟

(۱)  $\frac{15}{8}$

(۲)  $\frac{1}{5}$

(۳)  $\frac{8}{3}$

(۴) ۳

۷۸- سد پتانسیلی به ارتفاع  $V$  و پهنای  $L$  در نظر بگیرید. ذره‌ای به جرم  $m$  و انرژی  $\frac{2V}{3}$  به سد برخورد می‌کند. اگر

پهنای سد به  $\frac{L}{2}$  کاهش یابد، احتمال گذار ذره از سد نسبت به حالت اول تقریباً چند برابر می‌شود؟  $V = k \left( \frac{\hbar^2}{mL^2} \right)$

$$e^{\sqrt{\frac{2k}{3}}} \quad (1)$$

$$e^{2\sqrt{\frac{k}{3}}} \quad (2)$$

$$\sqrt{2} \quad (3)$$

$$2 \quad (4)$$

۷۹- در یک اتم چند الکترونی، یک الکترون با عدد کوانتومی  $\ell = 3$  (عدد کوانتومی تکانه زاویه‌ای) است. اعداد کوانتومی  $n$  (عدد کوانتومی شعاعی)،  $m_\ell$  (عدد کوانتومی مولفه سوم تکانه زاویه‌ای)،  $m_s$  (عدد کوانتومی مولفه سوم اسپین) این الکترون در این حالت به ترتیب از راست به چپ کدام مقادیر را می‌تواند اختیار کند؟

$$-\frac{1}{2}, -4, 2 \quad (1)$$

$$-\frac{1}{2}, 2, 3 \quad (2)$$

$$\frac{1}{2}, -3, 4 \quad (3)$$

$$\frac{3}{2}, 4, 5 \quad (4)$$

۸۰- انرژی فرمی فلزی  $5\text{eV}$  است. تقریباً چند درصد الکترون‌های رسانش این فلز در دمای  $300\text{K}$  انرژی بیشتری از

$$k_B = 1.38 \times 10^{-23} \frac{\text{J}}{\text{K}}$$

$$8 \quad (1)$$

$$0.8 \quad (2)$$

$$0.08 \quad (3)$$

$$0.008 \quad (4)$$

۸۱- چگالی و جرم مولی یک فلز دو ظرفیتی به ترتیب ۳ و ۲ برابر چگالی و جرم مولی یک فلز تک ظرفیتی است. انرژی فرمی فلز دو ظرفیتی تقریباً چند برابر انرژی فرمی تک ظرفیتی است؟

$$1/23 \quad (1)$$

$$2/1 \quad (2)$$

$$2/3 \quad (3)$$

$$3 \quad (4)$$

۸۲- اگر سلیکان با ناخالصی فسفر آمیخته شود، نیمه رسانایی از نوع ..... و اگر با ناخالصی آلومینیم آمیخته شود، نیمه رسانایی از نوع ..... تولید می شود.

(۱) n . n

(۲) n . p

(۳) p . p

(۴) p . n

۸۳- در یک اتصال p-n حرکت حاملین اکثریت منجر به جریان ..... و حرکت حاملین اقلیت منجر به جریان ..... می شود. (پخشی = diffusion و رانشی = drift ، حرارتی = thermal)

(۱) حرارتی ، رانشی

(۲) رانشی ، پخشی

(۳) پخشی ، حرارتی

(۴) پخشی ، رانشی

۸۴- پتانسیل معینی بار اول به صورت بایاس مستقیم و بار دوم به صورت بایاس منفی به یک اتصال p-n اعمال می شود، پهنای منطقه depletion، سرعت پخشی و سرعت رانشی در حالت دوم نسبت به حالت اول به ترتیب از راست به چپ چگونه تغییر می کند؟

(۱) باریک تر می شود، کوچکتر می شود، کوچکتر می شود.

(۲) پهن تر می شود، بزرگتر می شود، کوچکتر می شود.

(۳) باریک تر می شود، بزرگتر می شود، تغییر نمی کند.

(۴) پهن تر می شود، کوچکتر می شود، تغییر نمی کند.

۸۵- یک قطعه خالص ایزوتوپ گالیوم ( $^{67}\text{Ga}$ ) به جرم ۳٫۵g دارای نیمه عمری برابر ۷۸h است، تعداد تلاشی این قطعه در یک ثانیه کدام است؟  $\ln 2 = 0.7$  ،  $N_{Av} = 6 \times 10^{23} \text{ mol}^{-1}$  و جرم مولی گالیوم  $\frac{70}{\text{mol}}$  است.

(۱)  $7.4 \times 10^{16}$

(۲)  $3.8 \times 10^{18}$

(۳)  $2.7 \times 10^{19}$

(۴)  $1.1 \times 10^{17}$

خواص فیزیکی و مکانیکی مواد:

۸۶- گشتاور دو قطبی در کدام یک از ترکیبات زیر بالاترین است؟

$\text{CO}_2$  ,  $\text{CH}_3\text{Cl}$  ,  $\text{CCl}_4$  ,  $\text{CH}_4$

(۱)  $\text{CH}_4$

(۲)  $\text{CO}_2$

(۳)  $\text{CCl}_4$

(۴)  $\text{CH}_3\text{Cl}$



۸۷- چگالی عیوب بلوری خطی در ساختار یک فلز، نیروی محرکه برای وقوع کدام یک از فرآیندهای زیر است؟

(۱) بازیابی

(۲) رشد دانه‌ها

(۳) تشکیل رسوب‌های کوهیرنت در ساختار و رشد آنها

(۴) تشکیل رسوب‌های غیر کوهیرنت در ساختار و رشد آنها

۸۸- حجم اشغال شده توسط یک اتم در یک بلور HCP با  $a = 2 \text{ nm}$ ,  $c = 3 \text{ nm}$  چند  $\text{nm}^3$  است؟

(۱)  $2\sqrt{2}$

(۲)  $2\sqrt{3}$

(۳)  $3\sqrt{2}$

(۴)  $3\sqrt{3}$

۸۹- یک فولاد هیپر یوتکتوئید نرمالیزه شده دارای ۹۰٪ پرلیت با ۱/۲٪ کربن است. درصد کربن این فولاد چقدر است؟

$(\%C)_{Fe_3C} = 6.7$

(۱) ۱/۲۵

(۲) ۱/۴۵

(۳) ۱/۷۵

(۴) ۱/۹۰

۹۰- کدام یک از ساختارهای زیر دارای کمترین حجم ویژه است؟

(۱) آستنیت

(۲) بینیت

(۳) پرلیت

(۴) مارتنزیت

۹۱- در یک استحاله آستنیت به مارتنزیت در یک فولاد کربنی ساده، با افزایش درصد کربن نسبت  $\frac{c}{a}$  (تتراگونالیتیه) و

دماهای  $M_s$  و  $M_f$  به ترتیب چگونه تغییر می‌کنند؟

(۱) افزایش، افزایش

(۲) افزایش، کاهش

(۳) کاهش، کاهش

(۴) کاهش، افزایش

۹۲- اتمی با بسامد جهش اتمی  $125^{-1}$  در یک شبکه بلوری به طور اتفاقی نفوذ می‌کند. اگر فاصله هر جهش برابر  $1 \text{ \AA}$

باشد، در این صورت کل فاصله طی شده توسط این اتم در مدت  $3 \times 10^4 \text{ s}$  بر حسب  $\mu\text{m}$  چقدر است؟

(۱) ۳۰

(۲) ۶۰

(۳) ۳۰۰

(۴) ۶۰۰

۹۳- نوع سه فاز میانی  $CrN$ ،  $FeZn_7$  و  $Mg_3Sn$  به ترتیب عبارتند از:

- (۱) بین نشینی، الکترونی، بین فلزی
- (۲) بین نشینی، بین فلزی، الکترونی
- (۳) بین فلزی، الکترونی، بین نشینی
- (۴) الکترونی، بین نشینی، بین فلزی

۹۴- یک چدن کربنی ساده سرد شده تحت شرایط تعادلی شبه پایدار دارای ۰.۴٪ وزنی  $Fe_3C$  کل در ساختار خود در دمای اتاق است. درصد وزنی کربن آن چقدر است؟

$$(\%C)_{Fe_3C} = 6.7 \quad (\%C)_\alpha = 0$$

(۱) ۵.۳۶

(۲) ۴.۳

(۳) ۳.۳۵

(۴) ۲.۶۸

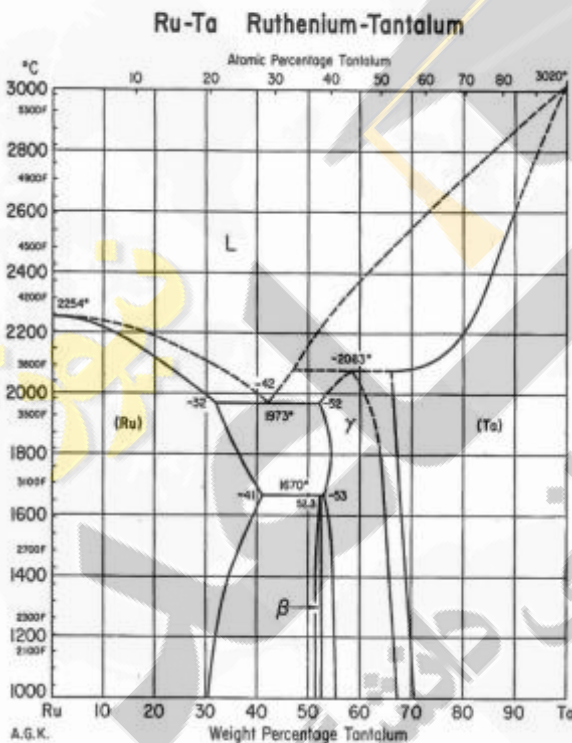
۹۵- در نمودار تعادلی Ru-Ta به ترتیب چند استحاله یونکتیکی، پریکتیکی، یوتکتوئیدی و پریکتوئیدی وجود دارد؟

(۱) ۱، ۰، ۰، ۰، ۲

(۲) ۱، ۱، ۰، ۱

(۳) ۱، ۰، ۱، ۱

(۴) ۰، ۱، ۱، ۱



۹۶- در خزش دیفیوژنی (coble) در صورت کاهش اندازه دانه‌ها به میزان  $\frac{1}{10}$  سرعت خزش آن چند برابر می‌شود؟

(۱)  $\frac{1}{100}$

(۲) ۱۰۰

(۳)  $\frac{1}{1000}$

(۴) ۱۰۰۰

۹۷- استحکام برشی نظری برای فلزات از رابطه  $\tau_{th} = \frac{Gb}{2\pi d}$  به دست می‌آید (d فاصله صفحات لغزش و b بردار برگرز می‌باشد). میزان تنش برشی نظری در فلزات FCC برابر کدام یک از موارد زیر است؟

(۱)  $G / (2\pi)$

(۲)  $G\sqrt{3} / (2\pi)$

(۳)  $G\sqrt{6} / (2\pi)$

(۴)  $G\sqrt{6} / (4\pi)$

۹۸- یک تک بلور BCC در صورت اعمال یک تنش کششی برابر  $\sigma$  در جهت  $[010]$  تسلیم می‌شود. مؤلفه تنش برشی بحرانی آن در سیستم لغزش  $[111](110)$  چقدر است؟

(۱)  $\frac{\sigma\sqrt{2}}{2}$

(۲)  $\frac{\sigma\sqrt{3}}{3}$

(۳)  $\frac{\sigma\sqrt{6}}{6}$

(۴)  $\frac{\sigma}{6}$

۹۹- نیرو در جهت x بین دو نابجایی لبه‌ای موازی از رابطه زیر بدست می‌آید:

$$F_x = \frac{Gb^2 x(x^2 - y^2)}{2\pi(1-\nu)(x^2 + y^2)^2}$$

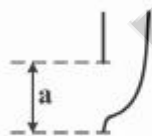
کدام گزینه نیروی بین دو نابجایی به شکل زیر را نشان می‌دهد؟

(۱) ۰

(۲)  $\frac{-Gb^2}{2\pi(1-\nu)a}$

(۳)  $\frac{Gb^2}{2\pi(1-\nu)a}$

(۴)  $\infty$



۱۰۰- کدام گزینه در مورد نیروی بین دونابجایی صادق است؟

- (۱) نیروی بین دو نابجایی پیچی همیشه جاذبه است.
- (۲) نیرو بین دو نابجایی پیچی همیشه دافعه است.
- (۳) نیروی بین دو نابجایی لبه‌ای همیشه دافعه است.
- (۴) بین دو نابجایی لبه‌ای و پیچی نیرویی وجود ندارد.

۱۰۱- واکنش ترکیب یک نابجایی در شبکه BCC به صورت زیر است:

$$\frac{a}{4}[\bar{1}11] + \frac{a}{4}[k\bar{1}1] \rightarrow a[00\ell]$$

مقدار  $\ell$ ،  $k$ ،  $h$  به ترتیب کدام است؟

- (۱) ۱، ۱، ۱
- (۲) ۱، ۱،  $\bar{1}$
- (۳) ۱،  $\bar{1}$ ، ۱
- (۴)  $\bar{1}$ ،  $\bar{1}$ ، ۱

۱۰۲- واکنش نابجایی زیر معرف کدام یک از گزینه‌های زیر است؟

$$\frac{a_0}{4}[\bar{1}\bar{1}1] + \frac{a_0}{4}[111] \rightarrow a_0[001]$$

- (۱) این واکنش در شبکه BCC اتفاق می‌افتد و معرف یکی از مکانیزم‌های رشد ترک است.
- (۲) این واکنش در شبکه BCC اتفاق می‌افتد و معرف یکی از مکانیزم‌های جوانه‌زنی ترک است.
- (۳) این واکنش در شبکه FCC اتفاق می‌افتد و معرف یکی از مکانیزم‌های رشد ترک است.
- (۴) این واکنش در شبکه FCC اتفاق می‌افتد و معرف یکی از مکانیزم‌های جوانه‌زنی ترک است.

۱۰۳- در صورتی که نرخ کار سختی در پلی کریستال ۹ برابر نرخ کار سختی در تک کریستال ماده‌ای باشد، مقدار فاکتور

اشمید کدام است؟

- (۱) ۳
- (۲) ۹
- (۳)  $\frac{1}{3}$
- (۴)  $\frac{1}{9}$

۱۰۴- در یک بارگذاری خستگی  $\sigma_{\max} = 300\text{MPa}$ ،  $\sigma_{\min} = -300\text{MPa}$

شرایط تنش به  $\sigma_{\max} = 400\text{MPa}$ ،  $\sigma_{\min} = -400\text{MPa}$  تغییر می‌کند. کدام گزینه در مورد طول عمر نمونه

صحیح است؟

- (۱) زیاد می‌شود چون دامنه تنش زیاد شده است.
- (۲) کاهش می‌یابد چون دامنه تنش زیاد شده است.
- (۳) زیاد می‌شود چون تنش مینیمم کم شده است.
- (۴) تغییر نمی‌کند چون تنش متوسط صفر است.

۱۰۵- منحنی پیر سختی آلیاژی از آلومینیم به صورت زیر داده شده است. کدام گزینه دمای درست منحنی‌ها را نشان می‌دهد؟



$$T_A > T_C > T_B \quad (1)$$

$$T_A < T_C < T_B \quad (2)$$

$$T_B > T_A > T_C \quad (3)$$

$$T_C > T_A > T_B \quad (4)$$

پدیده‌های انتقال (انتقال جرم، مکانیک سیالات، انتقال حرارت):

۱۰۶- در یک واحد دفع، معادله خط تعادلی به صورت  $Y = 2X$  و خط عملیاتی  $Y = -X + 0.15$  می‌باشد. حداکثر  $Y$  در فاز گاز جقدر است؟

$$0.1 \quad (2)$$

$$0.05 \quad (1)$$

$$0.2 \quad (4)$$

$$0.15 \quad (3)$$

۱۰۷- فیلم مایع در حال ریزش روی دیواره عمودی منجر به رابطه زیر شده است:

$$\frac{C_{Ai} - \bar{C}_{AL}}{C_{Ai} - C_{Ao}} = 0.7887e^{-5/1213\eta} + \dots$$

$$\eta = \frac{2DL}{3\delta^2 \cdot \bar{u}_y}$$



به نظر شما طول مشخصه در رابطه فوق کدام است؟

(۱) همان ارتفاع دیواره یعنی  $L$  می‌باشد.

(۲) حاصل تقسیم  $\frac{D}{\bar{u}_y}$  می‌باشد.

(۳) نسبت  $\frac{L}{\delta}$  می‌باشد.

(۴) همان ضخامت فیلم مایع در حال ریزش یعنی  $\delta$  می‌باشد.

۱۰۸- در واکنش‌های کاتالیستی دو فازی که در بسترهای آکنده انجام می‌شوند، از آرایش هم‌جهت استفاده می‌کنند.

مهم‌ترین مزیت استفاده از آرایش هم‌جهت نسبت به آرایش متقابل چیست؟

(۲) افزایش زمان تماس دو فاز

(۱) رخ ندادن طغیان

(۴) افزایش قابل توجه ضریب انتقال جرم

(۳) کمتر شدن قابل توجه افت فشار

۱۰۹- ماده حل شدنی خالص به شکل کره و مکعب موجود است. مقدار ماده در هر دو شکل مساوی است. با فرض اینکه شکل و اندازه بر انتقال جرم تأثیر ندارد نسبت نرخ انحلال در آب و در زمان  $t = 0$  شکل مکعبی به شکل کرهی چقدر است؟

$$\pi \quad (۲)$$

$$\frac{\epsilon}{\pi} \quad (۱)$$

$$\sqrt{\frac{\epsilon}{\pi}} \quad (۴)$$

$$\sqrt[3]{\frac{\epsilon}{\pi}} \quad (۳)$$

۱۱۰- کدام یک از گزینه‌های زیر بیان کننده فلاکس A در گاز بر طبق واکنش (گاز) B + جامد) C  $\rightarrow$  (گاز) A می‌باشد؟

$$N_A = -\frac{D_{AB}}{RTZ} P_t \ln \frac{P_t + P_{A_2}}{P_t + P_{A_1}} \quad (۲)$$

$$N_A = -\frac{D_{AB} P_t}{RTZ} \ln \frac{P_t - P_{A_2}}{P_t - P_{A_1}} \quad (۱)$$

$$N_A = \frac{-2P_t D_{AB}}{RTZ} \ln \frac{2 + P_{A_2}}{2 + P_{A_1}} \quad (۴)$$

$$N_A = \frac{2P_t D_{AB}}{RTZ} \ln \frac{2P_t - P_{A_2}}{2P_t - P_{A_1}} \quad (۳)$$

۱۱۱- کدام یک از روابط زیر بیانگر قانون اول فیک است؟

$$J_A = -CD_{AB} \nabla x_A \quad (۱)$$

(۱) رابطه (۱)

$$J_A = -\rho D_{AB} \nabla w_A \quad (۲)$$

(۲) رابطه (۲)

$$J_A = N_A - x_A \sum_{i=1}^n N_i \quad (۳)$$

(۳) رابطه (۲) و (۳)

(۴) تمام رابطه‌های فوق

۱۱۲- کدام دسته از فرایندهای نام برده شده به عنوان فرایندهای جداسازی مستقیم است؟

(۱) تقطیر، تبخیر، میعان

(۲) تصعید، استخراج مایع - مایع

(۳) تقطیر، تصعید، جذب گاز - مایع

(۴) رطوبت‌دهی، استخراج جامد - مایع

۱۱۳- در یک بستر شناور، چگالی دانه‌های بستر ۲ برابر چگالی سیال است. اگر سیال بستر با یک سیالی که چگالی آن

۰/۸ برابر چگالی سیال اول است جایگزین شود، با فرض ثابت بودن تخلخل بستر ( $\epsilon_M$ )، افت فشار بستر در صورت

شناورسازی چه تغییری خواهد کرد؟

(۱) افت فشار بستر ۰/۸ برابر می‌شود.

(۲) افت فشار بستر ۱/۲ برابر می‌شود.

(۳) افت فشار ۱/۵ برابر می‌شود.

(۴) تغییری نمی‌کند.

۱۱۴- به هنگام عبور سیال از روی ذرات کره‌ای جامد اگر عدد رینولدز جریان افزایش یابد، ضریب و نیروی درگ، به ترتیب

چه تغییری خواهند کرد؟

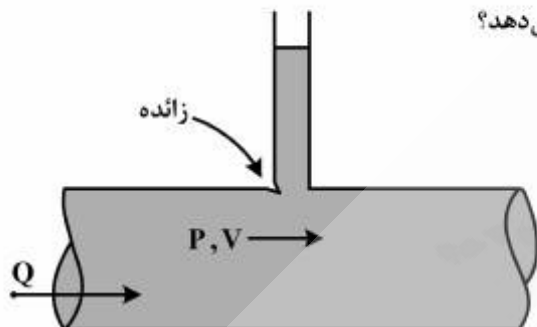
(۱) کاهش، افزایش می‌یابد.

(۲) کاهش، کاهش می‌یابد.

(۳) افزایش، افزایش می‌یابد.

(۴) کاهش، تقریباً ثابت می‌ماند.

۱۱۵- در محل نصب پیزومتر به دیواره لوله زائده‌ای در لبه جلویی محل اتصال، به صورت نشان داده شده در شکل ایجاد شده است. پیزومتر موجود فشار استاتیک را چگونه نشان می‌دهد؟



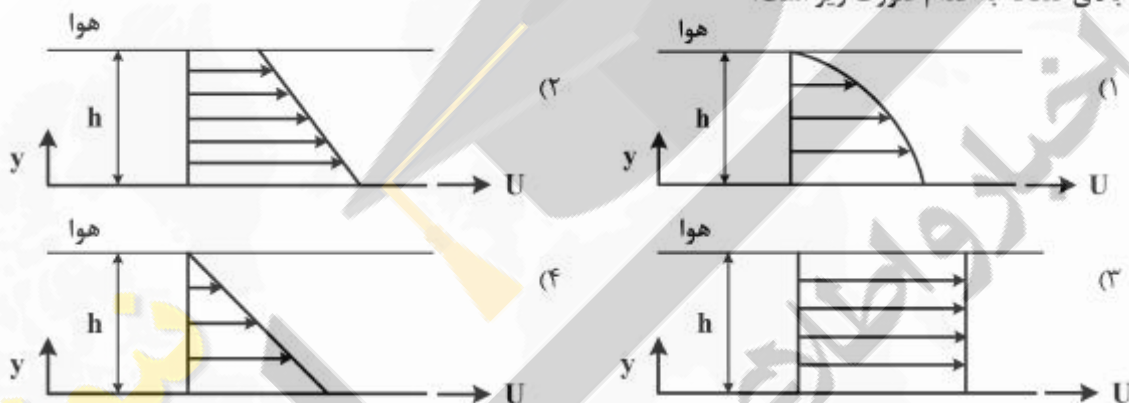
(۱) فشار را بیشتر از فشار واقعی نشان می‌دهد.

(۲) فشار را کمتر از فشار واقعی نشان می‌دهد.

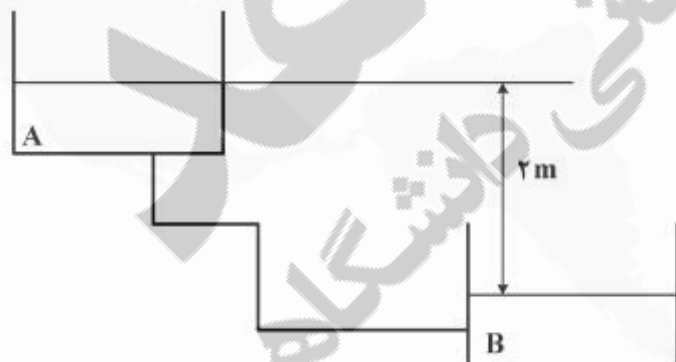
(۳) خطای چندانی ایجاد نمی‌کند و همان فشار واقعی را نشان می‌دهد.

(۴) در این شرایط فشار سکون را نشان می‌دهد، نه فشار استاتیک را.

۱۱۶- صفحه‌ای در عمق مشخص از یک مایع نیوتنی به صورت موازی با افق با سرعت ثابت  $U$  حرکت می‌کند. توزیع سرعت بالای صفحه به کدام صورت زیر است؟



۱۱۷- دو مخزن A و B همانند شکل زیر را در نظر بگیرید. سیالی با دبی  $I \frac{m^3}{s}$  از مخزن A به مخزن B با نیروی وزن جریان دارد. اگر بخواهیم دبی را سه برابر نماییم استفاده از پمپ ضروری است. با فرض ثابت بودن ضریب اصطکاک در لوله هد مورد نیاز پمپ چند متر است؟



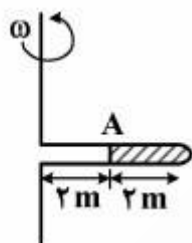
(۱) ۶

(۲) ۹

(۳) ۱۶

(۴) ۱۸

۱۱۸- یک لوله افقی باریک به طول ۴ متر در زمان گردش تا نیمه پر است و تحت سرعت زاویه‌ای  $\omega$  مطابق شکل، در صفحه افق دوران می‌کند. فشار در انتهای بسته لوله بر حسب متر آب چقدر است؟



$$(1) \frac{\omega^2}{2g}$$

$$(2) \frac{\omega^2}{g}$$

$$(3) \frac{2\omega^2}{g}$$

$$(4) \frac{6\omega^2}{g}$$

۱۱۹- در یک بستر آکنده (Packed bed) با دو برابر کردن سرعت جریان سیال اگر تمامی مشخصات بستر ثابت بماند، افت فشار جریان‌های آرام و درهم به ترتیب چند برابر می‌شوند؟

(۱) دو، چهار

(۲) دو، دو

(۳) چهار، دو

(۴) چهار، چهار

۱۲۰- پارامتر  $k$  در اعداد بدون بعد ناسلت و بیو (Biot) چگونه است؟

(۱)  $k$  نشان‌دهنده ضریب هدایت حرارت جامد در هر دو عدد می‌باشد.

(۲)  $k$  نشان‌دهنده ضریب هدایت حرارتی سیال در هر دو عدد می‌باشد.

(۳)  $k$  نشان‌دهنده ضریب هدایت حرارتی جامد در عدد ناسلت و ضریب هدایت حرارتی سیال در عدد بیو می‌باشد.

(۴)  $k$  نشان‌دهنده ضریب هدایت حرارتی سیال در عدد ناسلت و ضریب هدایت حرارتی جامد در عدد بیو می‌باشد.

۱۲۱- ارتباط بین ضریب هدایت حرارتی آجر مرطوب ( $k_w$ ) با آجر خشک ( $k_d$ ) چگونه است؟

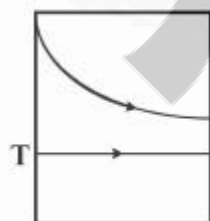
$$(1) k_d = k_w$$

$$(2) k_d < k_w$$

$$(3) k_d > k_w$$

$$(4) k_w = 2k_d$$

۱۲۲- تغییرات دمای دو سیال در یک مبدل حرارتی به صورت زیر است. کدام عبارت صحیح است؟



طول مبدل

(۱) در این مبدل سیال گرم سیال حداقل بوده و مبدل دارای بیشترین بازده است.

(۲) در این مبدل سیال سرد سیال حداقل بوده و مبدل دارای کمترین بازده است.

(۳) در این مبدل سیال گرم سیال حداقل بوده و مبدل دارای کمترین بازده است.

(۴) در این مبدل سیال سرد سیال حداقل بوده و مبدل دارای بیشترین بازده است.



۱۲۳- از یک لوله فین دار برای تهیه آب شیرین استفاده می شود. آب دریا داخل لوله و هوای شرجی بر روی فین ها می وزد. کدام روش زیر به صورت تقریبی برای محاسبه ضریب کلی انتقال حرارت مناسب است؟  $h_i$  ضریب داخل لوله و  $h_o$  ضریب طرف فین ها است.

$$U \approx h_o \quad (۱)$$

$$U \approx h_i \quad (۲)$$

$$U \approx \frac{h_i h_o}{h_i + h_o} \quad (۳)$$

$$U \approx \frac{h_i h_o}{h_i - h_o} \quad (۴)$$

۱۲۴- در یک مبدل حرارتی ناهمسو رابطه  $\epsilon - NTU$  به صورت  $NTU = \frac{1}{C-1} \ln\left(\frac{\epsilon-1}{\epsilon C-1}\right)$  است. اگر در یک حالت خاص  $C_{min} = C_{max}$  باشد، مقدار  $NTU$  برابر کدام یک از موارد زیر است؟

$$\frac{1}{\epsilon} \quad (۱)$$

$$\frac{1}{1-\epsilon} \quad (۲)$$

$$\frac{\epsilon}{1-\epsilon} \quad (۳)$$

$$\frac{\epsilon}{1+\epsilon} \quad (۴)$$

۱۲۵- در حرکت سیال از روی صفحه، در کدام گزینه ضخامت لایه های مرزی سرعتی و حرارتی تقریباً یکسان است؟

(۱) حاصل ضرب عدد رینولدز و پرانتل برابر  $10^4$  باشد.

(۲) عدد رینولدز برابر  $10^5$  باشد.

(۳) عدد گراشوف برابر  $10^9$  باشد.

(۴) عدد پرانتل برابر ۱ باشد.

الکترونیک (۱ و ۲) و الکترومغناطیس مهندسی:

۱۲۶- در شکل زیر  $V_{out} = 19 \sin \omega t$  میلی ولت و  $V_r = 0.5 \sin \omega t$  ولت است. ولتاژ  $V_{dc}$  نزدیک به کدام یک از گزینه های زیر برحسب ولت (۷) می باشد؟ (برای  $C_1$  و  $R_2$  مقادیر بزرگ فرض شوند و دیودها مشابه و برای آنها مقادیر زیر در نظر گرفته شوند)

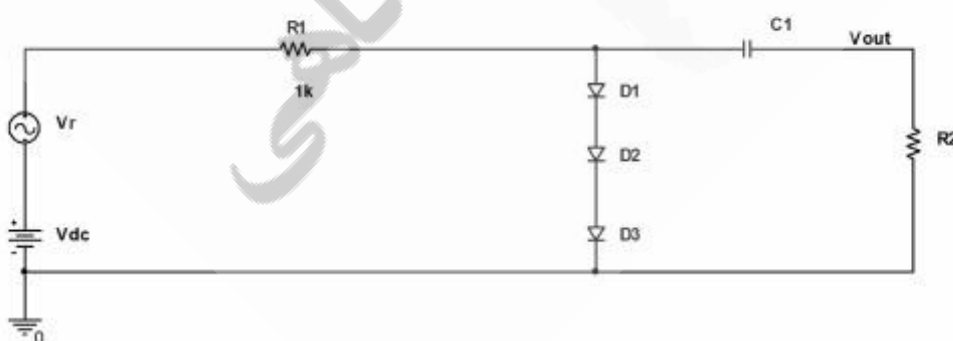
$$(k = 1.38 \times 10^{-23} \text{ Joules / Kelvin}, T = 25^\circ \text{ C}, q = 1.6 \times 10^{-19} \text{ Columb}, V_D = 0.7 \text{ V}, n = 2)$$

۳ (۱)

۴ (۲)

۵ (۳)

۶ (۴)



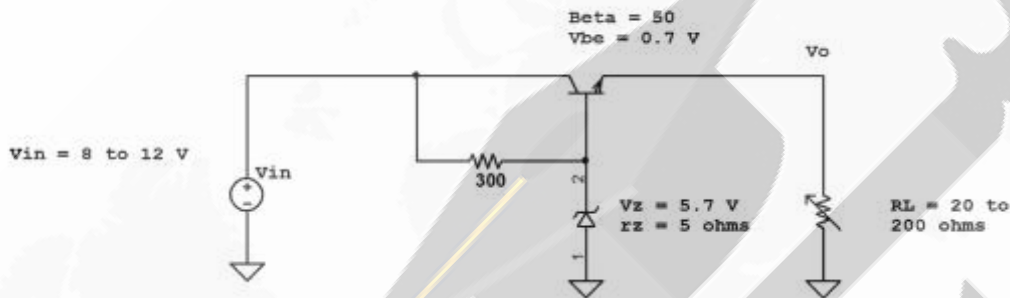
۱۲۷- ولتاژ خروجی مستقیم (dc) در یکسوساز تمام موج که از دو دیود و یک ترانسفورمر با سر وسط استفاده می‌کند ۳۰ ولت است. حداکثر ولتاژ معکوس (PIV) مورد نیاز بر حسب ولت (V) برای دیودها نزدیک به کدام یک از گزینه‌های

زیر است؟

- ۳۰ (۱)
- ۴۷ (۲)
- ۶۰ (۳)
- ۹۴ (۴)

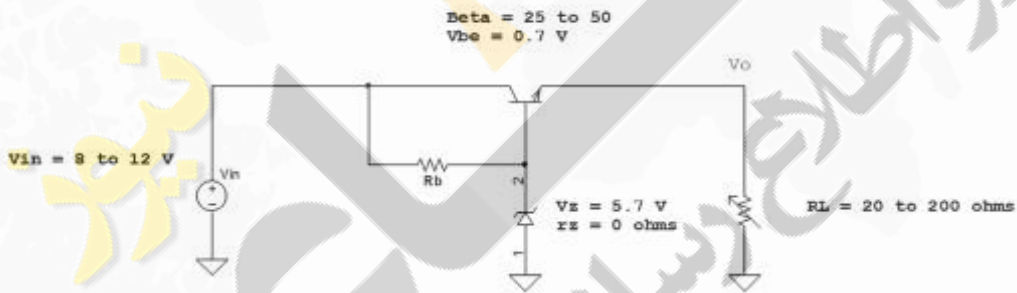
۱۲۸- در مدار رگولاتور ولتاژ زیر حد اکثر تغییرات ولتاژ خروجی رگولاتور چند میلی ولت (mV) است؟

- ۹۰ (۱)
- ۱۱۰ (۲)
- ۱۳۰ (۳)
- ۱۵۰ (۴)



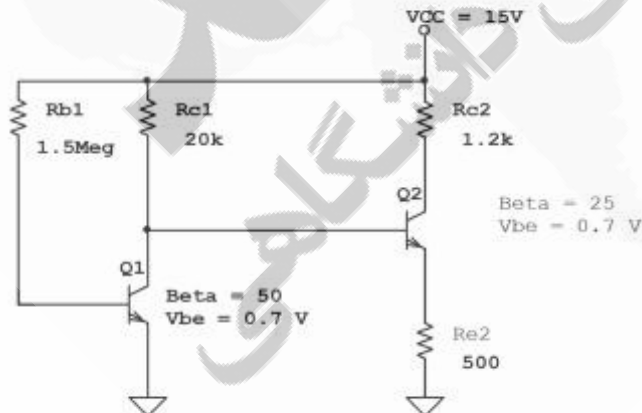
۱۲۹- در مدار رگولاتور ولتاژ زیر مقدار بهینه  $R_B$  چند اهم ( $\Omega$ ) است؟

- ۱۴۳ (۱)
- ۱۵۳ (۲)
- ۱۶۳ (۳)
- ۱۷۳ (۴)

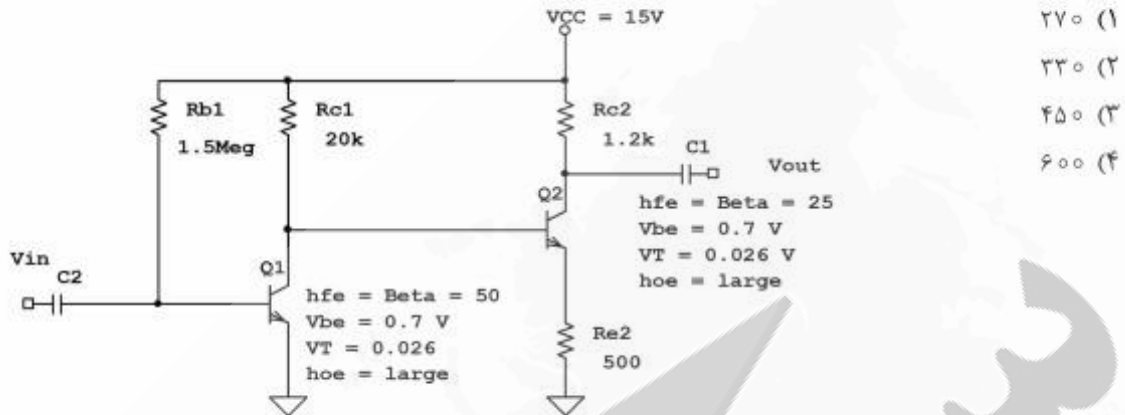


۱۳۰- در مدار زیر ولتاژ  $V_{CE1}$  ترانزیستور  $Q_1$  چند ولت (V) است؟

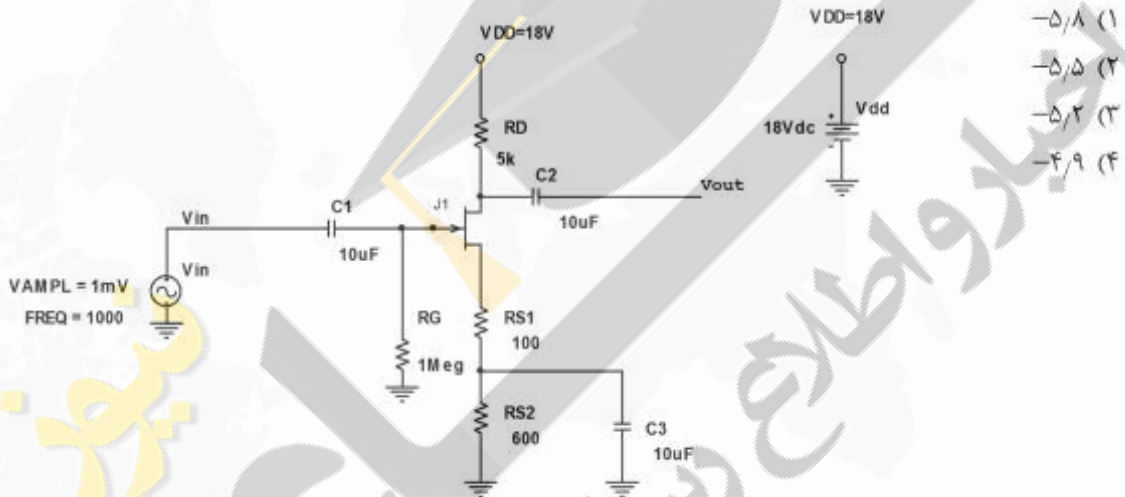
- ۲٫۶ (۱)
- ۲٫۹ (۲)
- ۳٫۲ (۳)
- ۳٫۵ (۴)



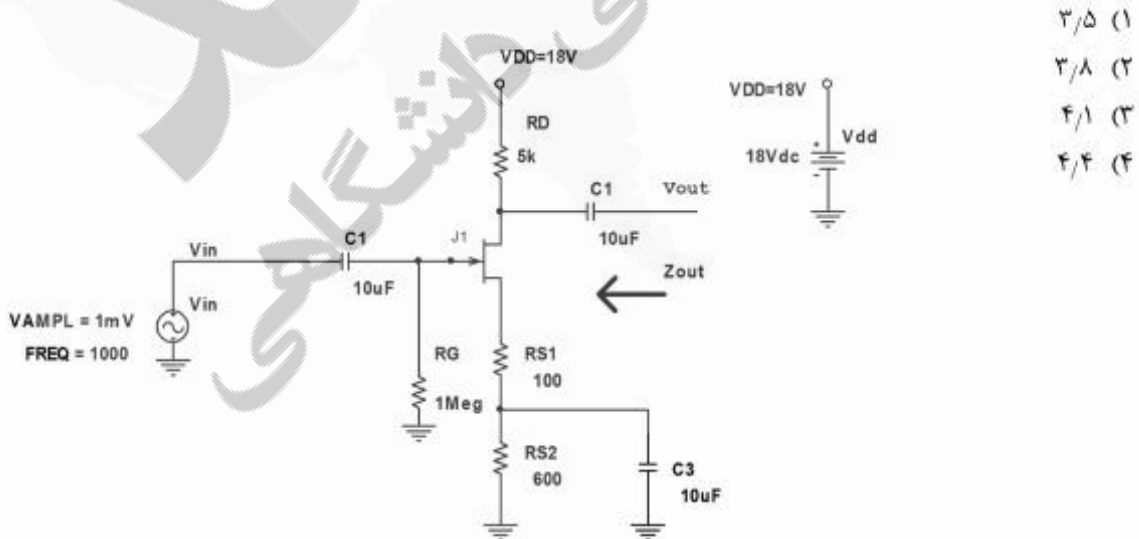
۱۳۱- در مدار زیر بهره ولتاژ  $V_g = V_{out} / V_{in}$  نزدیک به کدامیک از مقادیر زیر است؟ مقادیر خازن‌ها بزرگ فرض شوند.



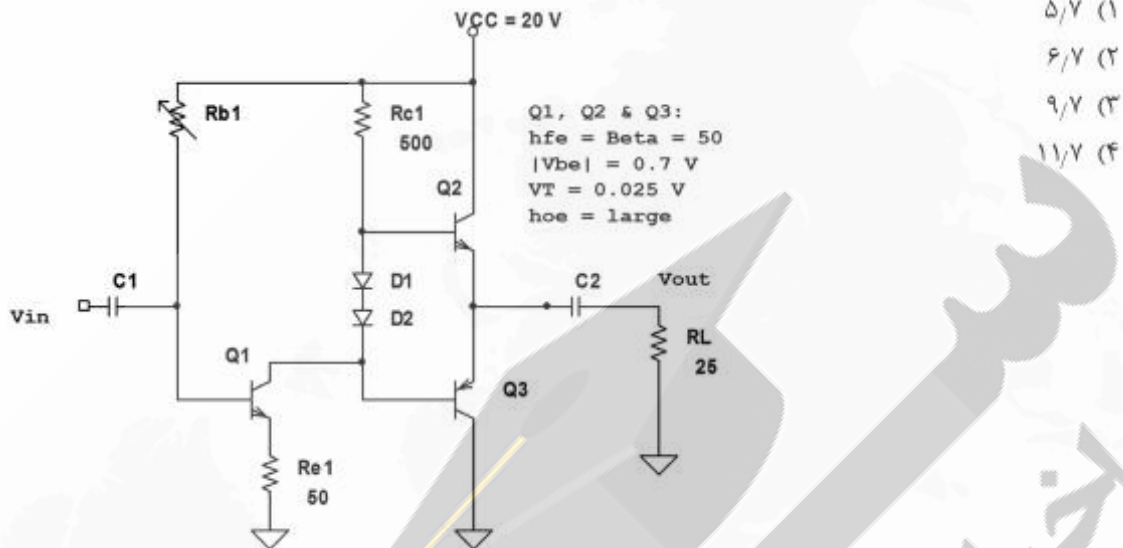
۱۳۲- مقدار بهره ولتاژ  $V_{out}/V_{in}$  در مدار زیر نزدیک به کدامیک از مقادیر زیر می‌باشد؟ برای ترانزیستور  $(I_{DSS} = \Delta mA, V_p = -\Delta V, r_d = 20 k\Omega)$  فرض شود.



۱۳۳- مقدار امپدانس خروجی  $Z_{out}$  در مدار زیر چند کیلو اهم است؟ برای ترانزیستور  $(I_{DSS} = \Delta mA, V_p = -\Delta V, r_d = 20 k\Omega)$  فرض شود.

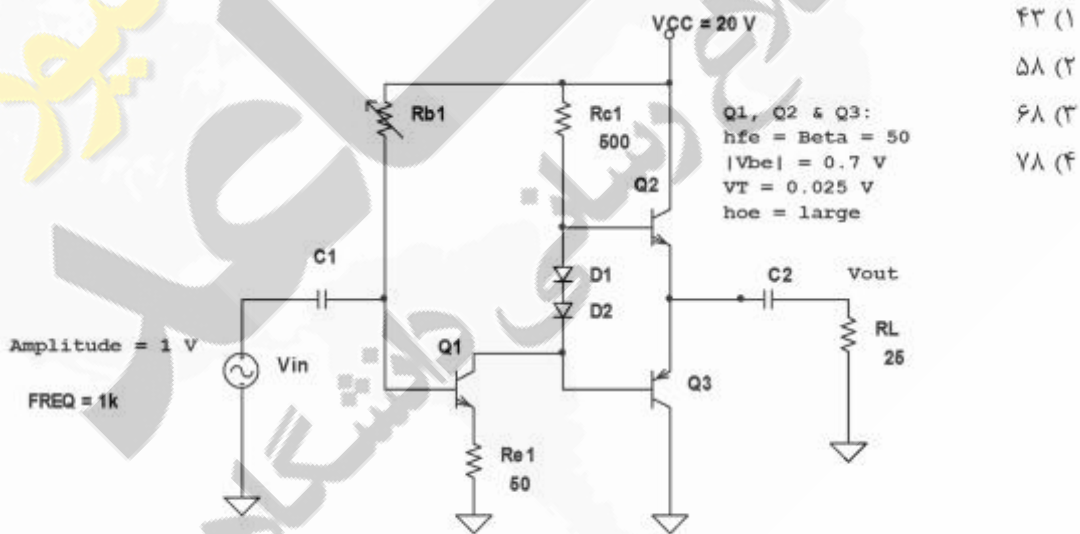


۱۳۴- مقدار بهره ولتاژ  $V_g = V_{out} / V_{in}$  در مدار زیر به کدام یک از مقادیر زیر نزدیک می‌باشد؟ ولتاژ  $V_T$  جهت دیودهای  $D_1$  و  $D_2$  (جبران‌ساز حرارتی ترانزیستورهای مکمل و متقارن  $Q_2$  و  $Q_3$ ) برابر با  $0.25V$  است. با تغییر مقاومت  $R_{b1}$  ولتاژ امپتورهای  $Q_2$  و  $Q_3$  برابر با  $10V$  تنظیم می‌شود. خازن‌ها بزرگ فرض شوند.



- ۵/۷ (۱)
- ۶/۷ (۲)
- ۹/۷ (۳)
- ۱۱/۷ (۴)

۱۳۵- بازده توان در آمپلی فایر قدرت کلاس AB زیر چند درصد است؟ ولتاژ  $V_T$  جهت دیودهای  $D_1$  و  $D_2$  (جبران‌ساز حرارتی ترانزیستورهای مکمل و متقارن  $Q_2$  و  $Q_3$ ) برابر با  $0.25V$  است. با تغییر مقاومت  $R_{b1}$  ولتاژ امپتورهای  $Q_2$  و  $Q_3$  برابر با  $10V$  تنظیم می‌شود. خازن‌ها بزرگ فرض شوند.



- ۴۳ (۱)
- ۵۸ (۲)
- ۶۸ (۳)
- ۷۸ (۴)

۱۳۶- یک سطح باردار با بار سطحی  $\rho_s = 5\epsilon_0 \frac{c}{m}$  در  $z=0$  و خط باردار با بار خطی  $\rho_L = 10\pi\epsilon_0 \frac{c}{m}$  در  $z=10$  و

$x=-2$  قرار دارد. مکان هندسی خطی (نقاطی) در فضای آزاد که شدت میدان الکتریکی آن  $\vec{E}=0$  شود، کدام است؟

(۱)  $x=-2, z=0$

(۲)  $x=2, z=5$

(۳)  $x=-2, z=8$

(۴)  $x=2, z=10$

۱۳۷- کره فلزی به شعاع  $a$  توسط یک کره فلزی دیگر و هم مرکز با آن به شعاع  $b>a$  احاطه شده است. فضای بین دو کره

با ماده‌ای به هدایت  $\frac{\sigma}{m}$  که مقدار آن با شدت میدان الکتریکی طبق رابطه  $\sigma = kE$  تغییر می‌کند، پر شده است.

$k$  مقدار یست ثابت. اختلاف پتانسیل  $V$  بین دو کره اعمال می‌شود. چه جریانی بین دو کره ایجاد می‌شود؟

(۱)  $I = 2\pi kV^2 / \ln(\frac{b}{a})$

(۲)  $I = 4\pi kV^2 / \ln(\frac{b}{a})$

(۳)  $I = 2\pi^2 kV^2 / \ln(\frac{b}{a})$

(۴)  $I = 4\pi^2 kV^2 / \ln(\frac{b}{a})$

۱۳۸- یک حلقه مثلثی حامل جریان  $I$ ، مطابق شکل را در نظر بگیرید. فضای اطراف حلقه جریان خلا فرض می‌شود. چگالی

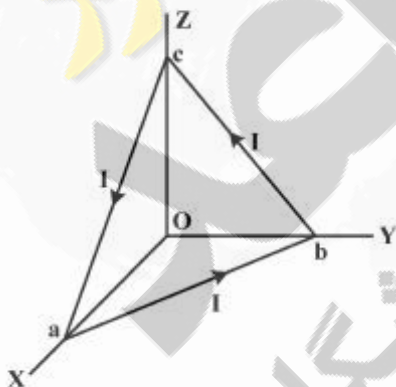
شار مغناطیس  $\vec{B}$  ناشی از این حلقه جریان در مبدأ مختصات کدام است؟

(۱)  $\frac{\mu_0 I}{4\pi abc} [a(b+c)\hat{a}_x + b(c+a)\hat{a}_y + c(a+b)\hat{a}_z]$

(۲)  $\frac{\mu_0 I}{4\pi abc} [a(b+c)\hat{a}_x + b(c+a)\hat{a}_y + c(a+b)\hat{a}_z]$

(۳)  $\frac{\mu_0 I}{4\pi a^2 b^2 c^2} [a^2(b+c)\hat{a}_x + b^2(c+a)\hat{a}_y + c^2(a+b)\hat{a}_z]$

(۴)  $\frac{\mu_0 I}{4\pi a^2 b^2 c^2} [a^2(b+c)\hat{a}_x + b^2(c+a)\hat{a}_y + c^2(a+b)\hat{a}_z]$



۱۳۹- بر روی یک کره هادی به شعاع  $a$ ، پوششی از جنس عایق با ضریب دی الکتریک  $\epsilon_r$  و ضخامت  $d$  کشیده شده است. در صورتی که کره در پتانسیل  $V_0$  قرار گیرد، چگالی بارهای مقید سطحی در سطح خارجی پوشش عایقی کدام است؟

$$\frac{av_0 \epsilon_0 (\epsilon_r - 1)}{a(a\epsilon_r + d)} \quad (۱)$$

$$\frac{dv_0 \epsilon_0 (\epsilon_r - 1)}{a(a\epsilon_r + d)} \quad (۲)$$

$$\frac{av_0 \epsilon_0 (\epsilon_r - 1)}{(a + d)(a\epsilon_r + d)} \quad (۳)$$

$$\frac{dv_0 \epsilon_0 (\epsilon_r - 1)}{(a + d)(a\epsilon_r + d)} \quad (۴)$$

۱۴۰- کره‌ای به شعاع  $R$  که مرکز آن در مبدأ مختصات است را در نظر بگیرید. فرض کنید بار  $Q$  در مرکز کره قرار داده شده و تنها بار موجود است. اگر تابع پتانسیل روی سطح کره  $\phi = V_0 \cos \theta$  باشد، پتانسیل الکتریکی داخل کره ( $\phi$ ) کدام است؟

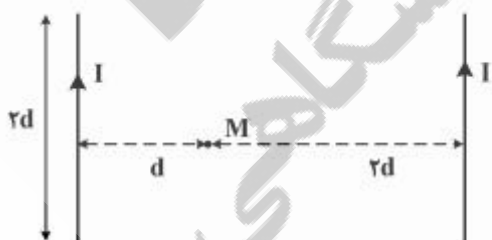
$$\frac{Q}{2\pi\epsilon_0} \left[ \frac{1}{r} - \frac{1}{R} \right] + \frac{V_0 \cos \theta}{2R} r \quad (۱)$$

$$\frac{Q}{4\pi\epsilon_0} \left[ \frac{1}{r} - \frac{1}{R} \right] + \frac{V_0 \cos \theta}{R} r \quad (۲)$$

$$\frac{Q}{2\pi\epsilon_0} \left[ \frac{1}{R} - \frac{1}{r} \right] + \frac{V_0 \cos \theta}{2R} r \quad (۳)$$

$$\frac{Q}{4\pi\epsilon_0} \left[ \frac{1}{R} - \frac{1}{r} \right] + \frac{V_0 \cos \theta}{R} r \quad (۴)$$

۱۴۱- مانند شکل دو سیم راست موازی با طول‌های یکسان  $2d$  و جریان‌های مساوی و هم جهت  $I$  مفروض است. در نقطه  $M$  واقع بر عمود منصف آن‌ها که از یکی فاصله  $d$  و از دیگری  $2d$  دارد اختلاف پتانسیل مغناطیسی برداری کدام است؟



$$\frac{\mu_0 I}{4\pi} \left( \frac{1}{2} - \frac{1}{5} \right) \quad (۱)$$

$$\frac{\mu_0 I}{4\pi} \left( \frac{1}{\sqrt{2}} - \frac{1}{\sqrt{5}} \right) \quad (۲)$$

$$\frac{\mu_0 I}{4\pi} \ln \left( \frac{\sqrt{5} - 1}{\sqrt{2} - 1} \right) \quad (۳)$$

$$\frac{\mu_0 I}{4\pi} \ln \left( \frac{1 + \sqrt{5}}{1 + \sqrt{2}} \right) \quad (۴)$$

۱۴۲- دو بار  $+Q$  و  $-Q$  در نقاط  $(-a, 0, a)$  و  $(a, 0, a)$  بالای سطح هادی زمین شده  $z = 0$  قرار دارند.

چگالی بار سطحی  $\rho_s (c/m^2)$  در نقطه  $(a, 0, 0)$  کدام است؟

$$(1) \frac{Q}{2\pi a^2} \left( \frac{1}{2\sqrt{2}} - 1 \right)$$

$$(2) \frac{Q}{4\pi a^2} \left( \frac{1}{2\sqrt{2}} - 1 \right)$$

$$(3) \frac{Q}{2\pi a^2} \left( \frac{1}{5\sqrt{5}} - 1 \right)$$

$$(4) \frac{Q}{4\pi a^2} \left( \frac{1}{5\sqrt{5}} - 1 \right)$$

۱۴۳- دو حلقه سیم مشابه که دارای سلف خودی و متقابل به ترتیب برابر با  $L$  و  $M$  هستند، در نظر بگیرید. در صورتی که

جریان یکی از حلقه‌ها بدون تغییر و برابر  $I_0$  و جریان حلقه دوم قابل تغییر باشد، کمترین میزان انرژی مغناطیسی

ذخیره شده چقدر است؟

$$(1) \frac{1}{2} LI_0^2$$

$$(2) \frac{1}{2} MI_0^2$$

$$(3) \frac{1}{2} \left( \frac{M^2}{L} \right) I_0^2$$

$$(4) \frac{1}{2} \left( L - \frac{M^2}{L} \right) I_0^2$$

۱۴۴- بار نقطه‌ای  $q_1$  در مبدأ مختصات و بار نقطه‌ای  $q_2$  در نقطه  $(0, 0, d)$  قرار دارند. در صورتی که یک خط

میدان الکتریکی که با زاویه  $\theta = 90^\circ$  با محور  $z$  بار  $q_1$  را ترک می‌کند و با زاویه  $\theta = 120^\circ$  با محور  $z$  به بار  $q_2$

وارد شود، نسبت  $\frac{q_1}{q_2}$  چقدر است؟

$$(1) -\frac{1}{2}$$

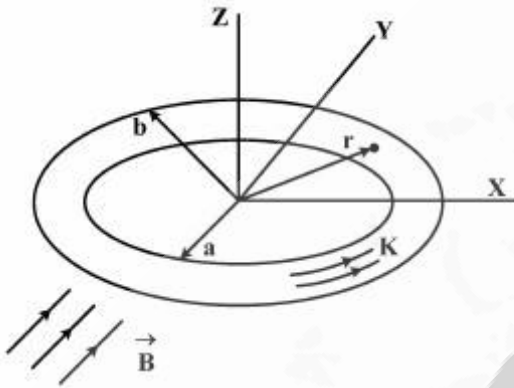
$$(2) -\frac{\sqrt{2}}{2}$$

$$(3) -\frac{2}{4}$$

$$(4) -\frac{\sqrt{2}}{2}$$

۱۴۵- مانند شکل یک طوق به شعاع داخلی  $a$  و شعاع بیرونی  $b$  با چگالی سطحی جریان  $\vec{K} = r\hat{a}_\phi$  در میدان مغناطیسی

$\vec{B} = B_0(\hat{a}_x + \hat{a}_y + \hat{a}_z)$  قرار دارد. گشتاور نیروی وارد بر طوق چقدر است؟



$$\frac{\pi B_0}{4} (b^r - a^r)(\hat{a}_y - \hat{a}_x) \quad (۱)$$

$$\frac{\pi B_0}{4} (b^r - a^r)(\hat{a}_x + \hat{a}_y) \quad (۲)$$

$$\frac{\pi B_0}{4} (b^r - a^r)(\hat{a}_x - \hat{a}_y) \quad (۳)$$

$$\frac{\pi B_0}{4} (b^r - a^r)(\hat{a}_y + \hat{a}_x) \quad (۴)$$

نیچر

مرکز

دانشگاهی

رسانی

اطلاع

و

اخبار

سامله