

کد کنترل

246

A



246A

نام:

نام خانوادگی:

محل امضا:

عصر پنجشنبه

۹۶/۲/۷



«اگر دانشگاه اصلاح شود مملکت اصلاح می شود.»

امام خمینی (ره)

جمهوری اسلامی ایران  
وزارت علوم، تحقیقات و فناوری  
سازمان سنجش آموزش کشور

آزمون ورودی دوره های کارشناسی ارشد ناپیوسته داخل - سال ۱۳۹۶

مهندسی ایمنی و بازرسی فنی - کد ۱۲۹۲

مدت پاسخگویی: ۱۸۰ دقیقه

تعداد سؤال: ۱۳۰

عنوان مواد امتحانی، تعداد و شماره سؤالات

ردیف	مواد امتحانی	تعداد سؤال	از شماره	تا شماره
۱	زبان عمومی و تخصصی (انگلیسی)	۳۰	۱	۳۰
۲	ریاضی (ریاضی عمومی (۲) و معادلات دیفرانسیل، ریاضیات مهندسی)	۲۰	۳۱	۵۰
۳	ترمودینامیک و مکانیک سیالات	۲۰	۵۱	۷۰
۴	متالورژی فیزیکی و مکانیکی	۳۰	۷۱	۹۰
۵	الکترونشیمی و خوردگی	۲۰	۹۱	۱۱۰
۶	مقاومت مصالح و تست های غیر مخرب	۲۰	۱۱۱	۱۳۰

این آزمون نمره منفی دارد.

استفاده از ماشین حساب مجاز نیست.

حق چاپ، تکثیر و انتشار سؤالات به هر روش الکترونیکی و ... پس از برگزاری آزمون برای تمامی اشخاص حقیقی و حقوقی تنها با مجوز این سازمان مجاز می باشد و با متخلفین برابر مقررات رفتار می شود.

**PART A: Vocabulary**

**Directions:** Choose the word or phrase (1), (2), (3), or (4) that best completes the blank. Then mark the correct choice on your answer sheet.

- 1- By signing these papers, I agree to not ----- any of my company's financial records to anyone outside of my firm.  
1) authorize                      2) articulate                      3) divulge                      4) victimize
- 2- Without an antidote to treat the patient, the poisonous snakebite would prove -----.  
1) vulnerable                      2) fatal                      3) massive                      4) extreme
- 3- Stifling a yawn, Jackie covered her mouth as she listened to one of her mother's ----- stories about her childhood.  
1) interminable                      2) credible                      3) widespread                      4) literal
- 4- After learning the lawyer accepted a bribe, the committee decided to ----- him and suspend his license.  
1) encounter                      2) retaliate                      3) underestimate                      4) rebuke
- 5- The government will ----- any property that has been purchased with money earned through illegal means.  
1) resist                      2) seize                      3) eliminate                      4) avoid
- 6- Now that I have got another offer of employment, which sounds as good as the earlier one, I am in a ----- as to which one to choose.  
1) necessity                      2) comparison                      3) postponement                      4) dilemma
- 7- Since there is a huge ----- between the results of the first and second experiment, the laboratory team will conduct a third test.  
1) discrepancy                      2) autonomy                      3) randomness                      4) opposition
- 8- To get a good grade on the research project, you must ----- your report with provable facts.  
1) inform                      2) outline                      3) substantiate                      4) interfere
- 9- We thought that the power cuts were temporary and would end but we have now realized that this is a ----- problem and will never end.  
1) chaotic                      2) perennial                      3) fragile                      4) memorable
- 10- If a ----- answer can provide the information requested, there is no reason to bore a person with a long response.  
1) boundless                      2) conceptual                      3) concise                      4) logical

**PART B: Cloze Passage**

**Directions:** Read the following passage and decide which choice (1), (2), (3), or (4) best fits each space. Then mark the correct choice on your answer sheet.

It is very easy to lead someone's memory astray. For example, if I witness a traffic accident and (11) ----- whether the car stopped before or after the tree, I am much more likely to "insert" a tree into my memory of the scene, (12) ----- no tree was actually present. This occurrence reflects the fact that when we retrieve a memory, we also re-encode it and during that process it is (13) ----- errors.



Elizabeth Loftus at the University of California, Irvine, and colleagues have shown that this "misinformation effect" can have huge implications for the court room, with experiments (14) ----- that eyewitness testimonies can be adversely influenced by misleading questioning. Fortunately, these findings also suggest ways for police, lawyers and judges to frame the questions (15) ----- they ask in a way that makes reliable answers more likely.

- 11- 1) I am later asked    2) later asking                      3) to be asked later    4) later asked  
 12- 1) even then            2) so even                      3) as if even            4) even if  
 13- 1) a possibility implanting                      2) possible to implant  
      3) possibly to implant                      4) possibility of implanting  
 14- 1) are repeatedly demonstrated            2) repeatedly demonstrating  
      3) that are demonstrated repeatedly      4) to demonstrate repeatedly  
 15- 1) that                      2) when                      3) because                      4) even though

### **PART C: Reading Comprehension:**

**Directions:** Read the following three passages and answer the questions by choosing the best choice (1), (2), (3), or (4). Then mark the correct choice on your answer sheet.

#### **PASSAGE 1:**

Electricity is part of our daily living. Modern living comfort cannot exist without electricity. The burning of fossil fuels mainly produces electricity. These fuels contain many harmful chemicals that pollute the environment. There are other cleaner sources of energy. The sun is an energy source that we are learning to use. Other sources of clean energy are geothermal energy, hydroelectric energy, and harnessing the wind through windmills.

We use electricity many times every day. Electricity provides us with the power to operate TV's, radios, computers, air conditioners, and many other things. Electricity is generated at power plants. It is generated by burning fossil fuels or by using renewable resources. Coal, oil, and gas are fossil fuels. They are the remains of ancient plants and animals. They contain a lot of chemical energy, which we can burn to release the stored energy. Fossil fuels are nonrenewable resources. That means we will eventually run out of coal, oil, and natural gas.

Fossil fuels pollute the air. The main sources of pollution are power plants, factories, cars, and trucks. Some gasses released from fossil fuels trap the sun's heat. This is causing a greenhouse effect on our planet, which means our planet is getting hotter. Though most of our man made energy comes from fossil fuels, we are gradually using more and more renewable energy sources. These sources include hydroelectric energy, which is energy from water; solar energy, which is energy gotten from sunlight, and wind.

- 16- Which of the following statements is **incorrect**?
- 1) Power plants can be run by both renewable and non-renewable resources.
  - 2) Electricity provides comfort and helps us communicate.
  - 3) We will gradually run out of renewable resources.
  - 4) Electricity is generated by power plants.
- 17- **Non-renewable resources** are -----
- 1) Geothermal energy productive able
  - 2) Sources that once used disappear
  - 3) non-dependable
  - 4) easily substituted
- 18- **What resources produce the most electricity?**
- 1) fossil fuels
  - 2) Batteries
  - 3) Windmills
  - 4) Hydroelectric plants
- 19- **How much are we dependent on electricity?**
- 1) We have an average dependence on electricity.
  - 2) We depend very little upon electricity.
  - 3) We somewhat depend upon electricity.
  - 4) Almost everything depends on electricity.
- 20- **The last paragraph mainly discusses** -----.
- 1) hydroelectricity
  - 2) energy sources
  - 3) air pollution
  - 4) solar energy

**PASSAGE 2:**

Arc welding is the fusion of two pieces of metal by an electric arc between the pieces being joined - the work pieces - and an electrode that is guided along the joint between the pieces. The electrode is either a rod that simply carries current between the tip and the work, or a rod or wire that melts and supplies filler metal to the joint.

The basic arc welding circuit is an alternating current (AC) or direct current (DC) power source connected by a "work" cable to the work piece and by a "hot" cable to an electrode. When the electrode is positioned close to the work piece, an arc is created across the gap between the metal and the hot cable electrode. An ionized column of gas develops to complete the circuit.

**Basic Welding Circuit**

The arc produces a temperature of about 3600°C at the tip and melts part of the metal being welded and part of the electrode. This produces a pool of molten metal that cools and solidifies behind the electrode as it is moved along the joint.

There are two types of electrodes. Consumable electrode tips melt, and molten metal droplets detach and mix into the weld pool. Non-consumable electrodes do not melt. Instead, filler metal is melted into the joint from a separate rod or wire.

The strength of the weld is reduced when metals at high temperatures react with oxygen and nitrogen in the air to form oxides and nitrides. Most arc welding processes minimize contact between the molten metal and the air with a shield of gas, vapour or



slag. Granular flux, for example, adds deoxidizers that create a shield to protect the molten pool, thus improving the weld.

- 21- We understand from the text that the word "fusion" is closest in meaning to -----.
- 1) producing      2) guiding      3) melting      4) welding
- 22- The word "work" as used in the passage refers to -----.
- 1) welding      2) melting      3) guiding      4) producing
- 23- The underlined "This" in the passage refers to -----.
- 1) the melting of the electrode  
2) the melting of the metal and the electrode  
3) the production of a high temperature  
4) the melting of the metal to be welded
- 24- We understand from the passage that it is necessary for an electrode to ----- in order to be consumed.
- 1) detach      2) join      3) melt      4) mix
- 25- We understand from the last paragraph that oxidation of the weld has to be minimized because it -----.
- 1) minimizes the contact between the two metals  
2) reduces the strength of the weld  
3) reacts with oxygen and nitrogen  
4) adds deoxidizers

**PASSAGE 3:**

**Cathodic protection (CP)** is a technique used to control the corrosion of a metal surface by making it the cathode of an electrochemical cell. The simplest method to apply CP is by connecting the metal to be protected with another more easily corroded "sacrificial metal" to act as the anode of the electrochemical cell. Cathodic protection systems are used to protect a wide range of metallic structures in various environments. Common applications are; steel water or fuel pipelines and storage tanks; steel pier piles; ships and boats; offshore oil platforms and onshore oil well casings and metal reinforcement bars in concrete buildings and Galvanic anodes are designed and selected to have a more "active" voltage (more negative electrochemical potential) than the metal of the structure (typically steel). For effective CP, the potential of the steel surface is polarized (pushed) more negative until the surface has a uniform potential. At that stage, the driving force for the corrosion reaction is removed. The galvanic anode continues to corrode, consuming the anode material until eventually it must be replaced. The polarization is caused by the electron flow from the anode to the cathode. The driving force for the CP current is the difference in electrochemical potential between the anode and the cathode.

- 26- We understand from the text that "cathodic protection" is based on -----.
- 1) electro analysis      2) electro plating      3) galvanizing      4) heat treatment
- 27- In the passage, the "sacrificial metal" is called so because it -----.
- 1) changes into ions to cover the cathode      2) is protected by the cathode  
3) is sacrificed      4) is corroded

- 28- We understand from the passage that water pipelines have to be protected against humidity because -----.
- 1) humidity is the main source of corrosion
  - 2) pipes are made of corrosion – free alloys
  - 3) they may be laid underground
  - 4) they may have leakage
- 29- "The driving force" mentioned in the passage refers to -----.
- 1) polarization of ions
  - 2) ionization of metals
  - 3) the electron flow
  - 4) consumption of electrons
- 30- We understand from the passage that "steel" cannot be used as the anode because it ----.
- 1) does not polarize
  - 2) is not a galvanized metal
  - 3) has a low repulsion
  - 4) cannot be ionized

ریاضی (ریاضی عمومی (۲و۱)، معادلات دیفرانسیل، ریاضیات مهندسی):

۳۱- حاصل  $\frac{dy}{dx}$  در عبارت  $\int_0^x \frac{dt}{\sqrt{1+\sin t^2}} + \int_y^2 \sin t^2 dt = 0$  ، کدام است؟

$$y' = \frac{1}{\sin y^2 \sqrt{1+\sin x^2}} \quad (1)$$

$$y' = \frac{-1}{\sin y^2 \sqrt{1+\sin x^2}} \quad (2)$$

$$y' = \frac{1}{\sin(2y) \sqrt{1+\sin^2 x}} \quad (3)$$

$$y' = \frac{-1}{\sin(2y) \sqrt{1+\sin^2 x}} \quad (4)$$

۳۲- مقدار انتگرال  $\int_0^1 \frac{1}{\sqrt{-\pi \ln x}} dx$  ، کدام است؟

$$1 \quad (1)$$

$$\sqrt{\pi} \quad (2)$$

$$e \quad (3)$$

(4) این انتگرال تعریف نشده است.

۳۳- دامنه همگرایی سری  $\sum_{n=k}^{\infty} \frac{(n-k)!}{n! k!} (x-a)^{n+k}$  ، کدام است؟  $k$  یک عدد اول است.

$$|x-a| < \frac{1}{k} \quad (1)$$

$$|x-a| < k \quad (2)$$

$$|x-a| < 1 \quad (3)$$

(4) مجموعه اعداد حقیقی.

۳۴- می‌دانیم که:  $\frac{2}{\pi} \int_0^{\infty} \frac{\cos mx}{x^2+a^2} dx = \frac{e^{-am}}{a^2}$ . مقدار انتگرال  $\int_0^{\infty} \frac{x \sin 3x}{x^2+16} dx$  کدام است؟

(۱)  $8\pi e^{-12}$

(۲)  $4\pi e^{-12}$

(۳)  $\frac{\pi}{8} e^{-12}$

(۴)  $\frac{\pi}{4} e^{-12}$

۳۵- حاصل عبارت  $s = \frac{1+(i^{1391})+i^{1392}+i^{1393}+i^{1394}+i^{1395}}{1-(i^{2013}+i^{2014}+i^{2015}+i^{2016}+i^{2017})}$  ، کدام است؟

(۱) -۱

(۲) ۱

(۱) -i

(۳) i

۳۶- مقدار دترمینان ماتریس زیر کدام است؟

$$\begin{bmatrix} 2 & 2 & 2 & 2 & 4 \\ 1 & -1 & 2 & -2 & 2 \\ 1 & 1 & 4 & 4 & 2 \\ 1 & -1 & 8 & -8 & 2 \\ 1 & 1 & 16 & 16 & 2 \end{bmatrix}$$

(۲)  $-\frac{2025}{16}$

(۴)  $\frac{2025}{16}$

(۱)  $-\frac{2025}{4}$

(۳)  $\frac{2025}{4}$

۳۷- انحناى منحنى  $\begin{cases} x = t + \sin t \\ y = t - \sin t \\ z = \sqrt{2} \cos t \end{cases}$  ، کدام است؟

(۱)  $\frac{1}{\sqrt{2}}$

(۲)  $\sqrt{2}$

(۳)  $2\sqrt{2}$

(۴)  $\frac{1}{2\sqrt{2}}$



۳۸- اگر  $u = \frac{x^2 y^2 - y^4}{x^2 + y^2}$  ، مقدار  $x \frac{\partial u}{\partial x} + y \frac{\partial u}{\partial y}$  ، کدام است؟

(۱)  $u$

(۲)  $2u$

(۳)  $3u$

(۴)  $4u$

۳۹- اگر  $I = \int_1^2 f(u) du$  و  $D = \{(x, y) \in \mathbb{R}^2 \mid 1 < xy < 2, 1 < x^2 - y^2 < 5\}$  باشد، آنگاه  $\iint_D f(xy)(x^2 + y^2) dx dy$  کدام است؟

(۲)  $I$

(۴)  $\frac{1}{4} I$

(۱)  $\frac{1}{2} I$

(۳)  $2I$

۴۰- حاصل انتگرال  $\iint_S \vec{F} \cdot \vec{n} d\sigma$  وقتی  $\vec{F}(x, y, z) = y \sin z \vec{i} + 3xy \vec{j} + \tan x^2 \vec{k}$  ، کدام است؟  $S$  مرز ناحیه:  $0 \leq z \leq 2, x^2 + y^2 \leq 4, x \geq 0$  و  $y \geq 0$  می باشد.

(۱) ۴۸

(۲) ۲۴

(۳) -۲۴

(۴) -۴۸

۴۱- یک عامل انتگرال ساز برای معادله دیفرانسیل زیر، کدام است؟

$(6y^2 \cot x + \sin 2x) dx - 4y dy = 0$

(۲)  $\sin^{-3} x$

(۴)  $-3 \sin x$

(۱)  $\sin^3 x$

(۳)  $3 \sin x$

۴۲- با تغییر متغیر  $y' = p$  معادله دیفرانسیل  $y'' - (y')^2 \tan y = (y')^3 \cos y$  دارای جوابی به شکل  $\frac{1}{p} = -y \cos y + c \cos y$  برای  $p$  بر حسب  $y$  دارد. با فرض  $y(\pi) = \pi$  و  $y'(\pi) = \frac{1}{\pi}$  ، جواب معادله اول کدام است؟

(۲)  $y \sin y + \cos y - x = \pi - 1$

(۴)  $y \sin y - \cos y + x = \pi - 1$

(۱)  $y \sin y - \cos y - x = \pi - 1$

(۳)  $y \sin y + \cos y + x = \pi - 1$

۴۳- اگر  $y_1 = e^x$  و  $y_2 = (1+x)$  جواب های مستقل خطی معادله  $y'' + p(x)y' + q(x)y = 0$  باشند، آنگاه  $p(x)$  و  $q(x)$  کدام است؟

(۲)  $q(x) = -(x+1), p(x) = x$

(۴)  $q(x) = \frac{1}{x}, p(x) = -\frac{x+1}{x}$

(۱)  $q(x) = x, p(x) = -(x+1)$

(۳)  $q(x) = -\frac{x+1}{x}, p(x) = \frac{1}{x}$



۴۴- اگر  $J_0(x) = \int_0^{\pi} \cos(x \sin \theta) d\theta$  باشد، در آن صورت  $\int_0^{\pi} \sin(x \sin \theta) \sin \theta d\theta$  کدام است؟  $J_k(x)$  تابع بسل از مرتبه  $k$  است)

(۱)  $-\frac{1}{x} J_1(x)$  (۲)  $-J_1(x)$  (۳)  $J_1(x)$  (۴)  $\frac{1}{x} J_1(x)$

۴۵- جواب معادله انتگرالی  $y(t) = t + \frac{1}{6} \int_0^t (t-\tau)^2 y(\tau) d\tau$  کدام است؟

(۱)  $y(t) = \frac{1}{\sqrt{t}} (\sin t + \cosh t)$  (۲)  $y(t) = \frac{1}{\sqrt{t}} (\sin t + \sinh t)$

(۳)  $y(t) = \frac{1}{\sqrt{t}} (\cos t + \cosh t)$  (۴)  $y(t) = \frac{1}{\sqrt{t}} (\cos t + \sinh t)$

۴۶- تابع  $f$  در بازه  $-L < x < L$  تعریف شده و دارای سری فوریه با ضرایب  $b_n = \frac{1}{\sqrt{n}}$ ,  $a_n = \frac{1}{\sqrt{n}}$  ( $n = 0, 1, 2, \dots$ ) می باشد. حاصل  $\int_{-L}^L f^2(x) dx$  کدام است؟

(۱)  $\frac{27}{71} L$  (۲)  $\frac{23}{24} L$

(۳)  $L$  (۴)  $\frac{25}{24} L$

۴۷- کدام یک از معادلات با مشتق جزئی  $(u(x, y) = F(x)G(y))$  با روش ضربی تفکیک پذیر است؟

(۱)  $e^{x+2y} u_{xx} + xe^{2y} u_x + y^2 u_{yy} = 0$  (۲)  $e^x u_{xy} + e^y u_y + xe^x = 0$

(۳)  $u_{xx} + 4u_{xy} - u_{yy} = 0$  (۴)  $u_{xy} + u_x + x + y = 0$

۴۸- می دانیم جواب عمومی یک معادله دیفرانسیل با مشتقات جزئی به صورت  $u(x, y) = f(2x + \Delta y) + g(2x - \Delta y)$  است.  $f$  و  $g$  دو تابع دلخواه مشتق پذیرند) با فرض  $u(0, y) = u(\pi, y) = 0$  و  $u(x, 0) = \sin 2x$

$\frac{\partial u}{\partial y}(x, 0) = 0$ ، جواب کدام است؟

(۱)  $u(x, y) = 2 \cos 2x \sin \Delta y$  (۲)  $u(x, y) = 2 \sin 2x \cos \Delta y$

(۳)  $u(x, y) = \cos 2x \sin \Delta y$  (۴)  $u(x, y) = \sin 2x \cos \Delta y$

۴۹- اگر قسمت حقیقی (Real Part) مشتق تابع تحلیلی  $f(z)$  برابر با  $3e^{2x} \cos 2y$ ،  $3x^2 - 3y^2 + 2e^{2x} \cos 2y$  باشد، آنگاه  $f(z)$  کدام است؟

(۱)  $f(z) = 3z^2 + e^{2z} + (c_1 + ic_2)$  (۲)  $f(z) = z^2 + e^{2z} + (c_1 + ic_2)$

(۳)  $f(z) = z^2 - e^{2z} + (c_1 + ic_2)$  (۴)  $f(z) = 3z^2 - e^{2z} + (c_1 + ic_2)$

۵۰- ضریب  $z^3$  در بسط مک لورن  $f(z) = \exp(\sin z)$ ، کدام است؟

(۱)  $-\frac{2}{3!}$  (۲)  $\frac{2}{3!}$

(۳)  $\frac{1}{3!}$  (۴)  $0$

## ترمودینامیک و مکانیک سیالات:

۵۱- برای گاز هیدروژن در دمای نقصانی  $T_p = 0.7$ ، فشار بخار اشباع چند کیلوپاسکال است؟ فشار بحرانی این گاز  $P_c = 1800 \text{ kpa}$  و ضریب بی‌مرکزی  $\omega = 0.2$  و  $\alpha = 0.63$  می‌باشد.

(۱) ۱۱۳/۴

(۲) ۱۲۰/۲

(۳) ۱۳۵

(۴) ۱۴۲

۵۲- گازی از معادله حالت  $P = \frac{RT}{V-b} - \frac{a}{TV^2}$  پیروی می‌کند، که در آن  $a$  و  $b$  مقادیر ثابت و مثبت هستند. تحت

حجم ثابت، دمای گاز را تغییر می‌دهیم. در مقدار ضریب تراکم‌پذیری گاز چه تغییری حاصل می‌گردد؟

(۱) با افزایش دما کاهش می‌یابد.

(۲) با افزایش دما افزایش می‌یابد.

(۳) نسبت به افزایش دما ۲/۵ برابر می‌شود.

(۴) نسبت به افزایش دما ۱/۵ برابر می‌شود.

۵۳- درون یک مخزن عایق شده، بخار آب داغ (Super heat) در فشار زیاد وجود دارد. شیر مخزن را باز می‌کنیم تا

فشار درون مخزن به فشار بیرون کاهش یابد و سپس شیر را می‌بندیم. در این مورد گزینه صحیح، کدام است؟

(۱) درون مخزن، بخار ممکن است، به صورت داغ، اشباع و یا مخلوط اشباع باشد.

(۲) حجم مخصوص بخار نهایی یا حجم مخصوص بخار اولیه با هم برابر می‌شود.

(۳) درون مخزن، هیچ‌گاه مایع به وجود نمی‌آید.

(۴) درون مخزن مایع اشباع تشکیل می‌شود.

۵۴- یک کیلوگرم گاز ایدئال با  $R = 0.5 \frac{\text{kJ}}{\text{kgK}}$  در مخزن صلبی وجود دارد. مخزن را گرم می‌کنیم و  $20 \text{ kJ}$  حرارت

به مخزن می‌دهیم تا دمای گاز  $50^\circ\text{C}$  افزایش یابد. تغییر آنتالپی گاز چند  $\text{kJ}$  می‌شود؟

(۱) ۹۰

(۲) ۶۰

(۳) ۵۰

(۴) ۴۵

۵۵- فشارهای بخار جامد (s) و مایع (l) یک ماده شیمیایی خالص از رابطه‌های  $\ln P^s = a_1 - \frac{b_1}{T}$  و  $\ln P^l = a_2 - \frac{b_2}{T}$

به دست می‌آید. در این معادلات  $T$  دمای کلون و پارامترهای  $a_1$ ،  $a_2$ ،  $b_1$  و  $b_2$  ثابت می‌باشند. دمای نقطه سه‌گانه ( $T_{tp}$ ) کدام یک از معادلات زیر می‌باشد؟

(۱)  $T_{tp} = \frac{b_1 + a_1}{b_2 + a_2}$

(۲)  $T_{tp} = \frac{b_1 b_2}{a_2 a_1}$

(۳)  $T_{tp} = \frac{b_1 + b_2}{a_1 + a_2}$

(۴)  $T_{tp} = \frac{b_2 - b_1}{a_2 - a_1}$

۵۶- فشار بخار یک مایع خالص به صورت تابعی از دما به صورت  $\ln P = \frac{6000}{T} + 8$  داده شده است. که در آن  $T$  برحسب کلوین می‌باشد. اگر در حالت اشباع بتوان از حجم ویژه مایع در برابر حجم ویژه بخار صرف‌نظر کرد و همچنین بخار رفتاری نزدیک به گاز کامل (ایدئال) داشته باشد، رابطه آنتالپی تبخیر این ماده کدام است؟  $R$  ثابت گازها می‌باشد.

$$\Delta h^{\text{vap}} = \frac{-6000R}{P} \exp\left(\frac{6000}{T} + 8\right) \quad (۱)$$

$$\Delta h^{\text{vap}} = \frac{6000RT}{P} \exp\left(-\frac{6000}{T} + 8\right) \quad (۲)$$

$$\Delta h^{\text{vap}} = \frac{6000RT^2}{P} \exp\left(-\frac{6000}{T} + 8\right) \quad (۳)$$

$$\Delta h^{\text{vap}} = \frac{6000}{P} \exp\left(-\frac{6000}{T} + 8\right) \quad (۴)$$

۵۷- دمای بویل برای یک گاز به صورت  $\lim_{P \rightarrow 0} \left(\frac{\partial(PV)}{\partial P}\right)_T = 0$  تعریف می‌شود. دمای بویل  $T_B$  برای گازی که از معادله

$$Z = 1 + \left(b - \frac{a}{RT^2}\right) \frac{P}{RT}$$

$$T_B = \left(\frac{a}{Rb}\right)^{\frac{1}{2}} \quad (۱)$$

$$T_B = \left(\frac{a}{Rb}\right)^{\frac{2}{3}} \quad (۲)$$

$$T_B = \left(\frac{Rb}{a}\right)^{\frac{1}{2}} \quad (۳)$$

$$T_B = \sqrt{\frac{a}{Rb}} \quad (۴)$$

۵۸- درجه آزادی سیستم حاصل از تجزیه بخار متانول خالص به  $\text{CO}$  و  $\text{H}_2$  در ظرفی که در حالت خلأ می‌باشد، کدام است؟



۰ (۱)

۱ (۲)

۲ (۳)

۳ (۴)



۵۹- فشار مایعی با شدت جریان دو کیلوگرم بر ثانیه و دانسیته  $\frac{gr}{cm^3}$  به طور کاملاً یکنواخت (پایدار) توسط پمپی از یک بار به ده بار افزایش می‌یابد. در صورتی که راندمان ایزونتروپیک پمپ ۰٫۷۵ باشد، توان مصرفی آن چند کیلووات است؟

۱ (۱)

۲ (۲)

۳ (۳)

۴ (۴)

۶۰- کدام یک از روابط زیر صحیح است؟

$$C_v = T \left( \frac{\partial s}{\partial T} \right)_T \quad (۱)$$

$$C_v = T \left( \frac{\partial s}{\partial P} \right)_v \quad (۲)$$

$$C_v = T \left( \frac{\partial s}{\partial T} \right)_P \quad (۳)$$

$$C_v = T \left( \frac{\partial s}{\partial T} \right)_v \quad (۴)$$

۶۱- تابع جریان سیال ایدئال روی یک استوانه به شعاع  $a$ ، کدام است؟

$$\psi = U_\infty r \sin \theta \left[ 1 - \frac{a^2}{r^2} \right] \quad (۱)$$

$$\psi = \frac{-\mu y \cos \theta}{x^2 + y^2} \quad (۲)$$

$$\psi = U_\infty r \sin \theta \quad (۳)$$

$$\psi = \frac{-\mu y}{x^2 + y^2} \quad (۴)$$



۶۲- سیالی با عدد رینولدز ۱۰۰۰۰، داخل لوله‌ای در حال حرکت است. ضریب اصطکاک در این حالت  $f$  است. اگر سرعت سیال ۲ برابر شود و سایر شرایط ثابت بماند، ضریب اصطکاک چند برابر حالت قبل خواهد بود؟

$$\frac{1}{\sqrt{2}} \quad (۱)$$

$$\frac{1}{2} \quad (۲)$$

$$\sqrt{2} \quad (۳)$$

$$۲ \quad (۴)$$

۶۳- اگر در یک پدیدهٔ پرش هیدرولیکی، عمق‌های جریان مایع به ترتیب  $1/5\text{ m}$  و  $0/5\text{ m}$  باشد، اتلاف انرژی ناشی از پرش ( $h_L$ )، چند متر است؟

$$\frac{1}{3} \quad (۱)$$

$$\frac{2}{3} \quad (۲)$$

$$\frac{1}{4} \quad (۳)$$

$$\frac{3}{4} \quad (۴)$$

۶۴- یک صفحهٔ نازک فلزی بین دو مایع با گرانروی  $\mu_1$  و  $\mu_2$  در حرکت است. اگر ضخامت دو مایع در بالا و پایین سطح جامد به ترتیب  $h_1$  و  $h_2$  باشد، مقدار نیروی لازم برای حرکت دادن این سطح جامد فلزی با مساحت سطح A، کدام است؟ (U سرعت حرکت صفحه می‌باشد.)

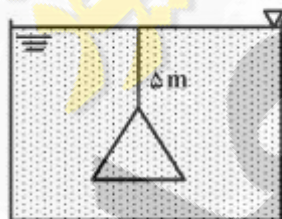
$$F = \frac{U}{A} (\mu_1 h_1 + \mu_2 h_2) \quad (۱)$$

$$F = \frac{U}{A} \left( \frac{\mu_1}{h_1} + \frac{\mu_2}{h_2} \right) \quad (۲)$$

$$F = UA (\mu_1 h_1 + \mu_2 h_2) \quad (۳)$$

$$F = UA \left( \frac{\mu_1}{h_1} + \frac{\mu_2}{h_2} \right) \quad (۴)$$

۶۵- یک صفحهٔ مثلثی (متساوی‌الاضلاع) به ضلع  $60\text{ cm}$  در آب قرار گرفته است. نیروی وارده بر یک طرف صفحه



چند نیوتن است؟ دانسیتهٔ آب  $\rho = 1000 \frac{\text{kg}}{\text{m}^3}$  و  $g = 10 \frac{\text{m}}{\text{s}^2}$  فرض شود.

$$53466 \quad (۱)$$

$$58461 \quad (۲)$$

$$62880 \quad (۳)$$

$$65450 \quad (۴)$$

۶۶- مخزن استوانه‌ای شکل به قطر ۲ متر و ارتفاع ۶ متر تا ۴ متری با آب پر شده است. اگر این مخزن با سرعت دورانی

$10 \frac{\text{rad}}{\text{s}}$  حول مرکز قاعده دوران کند، چه حجمی در واحد  $\text{m}^3$ ، از آب مخزن بیرون ریخته خواهد شد؟

$$1/25 \quad (۱)$$

$$1/57 \quad (۲)$$

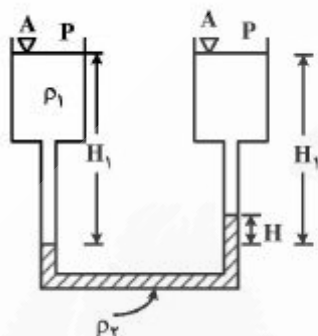
$$1/85 \quad (۳)$$

$$2/1 \quad (۴)$$

۶۷- ۱۰ لیتر از یک سیال تراکم‌ناپذیر، نیرویی برابر با ۲۰ نیوتن در سطح زمین اعمال می‌کند. ۲/۳ لیتر از این سیال چه نیرویی در واحد نیوتن را در سطح ماه اعمال می‌کند؟ شتاب جاذبه در سطح ماه  $1/67 \frac{m}{s^2}$  می‌باشد.

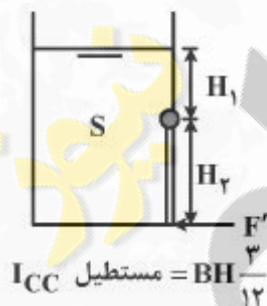
- (۱) ۰/۳۹
- (۲) ۰/۷۸
- (۳) ۳/۴
- (۴) ۴/۶

۶۸- مانومتر دو سیاله شکل زیر را در نظر بگیرید. به نظر شما، دو سیال در این مانومتر باید دارای چه شرایطی باشند تا اختلاف فشارهای بسیار کم بین نقاط A و B قابل اندازه‌گیری باشد؟



- (۱)  $\rho_2 \gg \rho_1$
- (۲)  $\rho_2 - \rho_1 \gg 1$
- (۳)  $\rho_2 - \rho_1 \ll 1$
- (۴)  $\rho_1 \gg \rho_2$

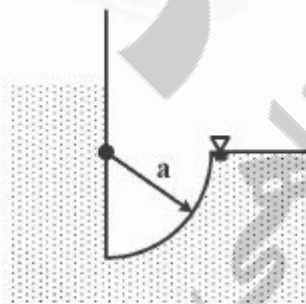
۶۹- ظرف درباز زیر حاوی مایعی به چگالی S است؛ به طوری که ارتفاع سطح آزاد آن بالای لولا  $H_1$  و ارتفاع درجه مستطیل  $H_2$  می‌باشد. چنانچه عرض درجه B باشد، نیروی  $F'$  خارجی لازم برای بستن ننگه داشتن درجه، کدام است؟



$I_{CC} \text{ مستطیل} = BH \frac{3}{12}$

- (۱)  $F' = BS\gamma_{\omega} \left( \frac{H_1 H_2}{3} + \frac{H_2^2}{2} \right)$
- (۲)  $F' = BS\gamma_{\omega} \left( \frac{H_1 H_2}{2} + \frac{H_2^2}{3} \right)$
- (۳)  $F' = BS\gamma_{\omega} \left( \frac{H_1 H_2}{2} + \frac{H_2^2}{3} \right)$
- (۴)  $F' = BS\gamma_{\omega} \left( \frac{H_1 H_2}{3} + \frac{H_2^2}{2} \right)$

۷۰- دریچه‌ای مانند شکل زیر که یک طرف آن ربع استوانه و طرف دیگر آن تخت است، در مرکز استوانه به لولا وصل است. اگر شعاع ربع استوانه a باشد، سطح آب در طرف تخت دریچه چقدر بالاتر یا پایین‌تر از سطح آب در طرف ربع استوانه است؟



- (۱) a بالاتر
- (۲) ۲a بالاتر
- (۳) ۲a پایین‌تر
- (۴) در دو طرف دریچه یکسان



## متالورژی فیزیکی و مکانیکی:

۷۱- با فرض داشتن وضعیت تنش مسطح و تغییر تنش نرمال و برشی در صفحه  $\theta$ ، کدام گزینه، نادرست است؟

(۱)  $\tau_{max}$  در وسط  $\sigma_{min}$  و  $\sigma_{max}$  اتفاق می‌افتد.

(۲)  $\sigma_{min}$  و  $\sigma_{max}$  در نقطه  $\tau_{xy} = 0$  اتفاق می‌افتد.

(۳)  $\sigma_{max}$  و  $\tau_{max}$  همیشه  $45^\circ$  با هم فاصله دارند.

(۴) تغییرات  $\tau, \sigma$  سینوسی است.

۷۲- کدام گزینه صحیح است؟

(۱) انرژی نقص لایه‌ای با مکانیزم لغزش در صفحات متقاطع ارتباطی ندارد.

(۲) با کاهش انرژی نقص لایه‌ای لغزش متقاطع در شبکه‌های FCC آسان‌تر می‌شود.

(۳) با کاهش انرژی نقص لایه‌ای، لغزش متقاطع آسان‌تر می‌شود.

(۴) با افزایش انرژی نقص لایه‌ای، لغزش متقاطع آسان‌تر می‌شود.

۷۳- با فرض  $\Delta = \frac{1-2\nu}{E}(\sigma_x + \sigma_y + \sigma_z)$  مقدار  $\nu$  در ناحیه پلاستیک چقدر است؟

(۲) ۰/۳

(۱) ۰/۲۵

(۴) ۰/۶۵

(۳) ۰/۵

۷۴- دلیل شکست  $45^\circ$  در شکست نرم فنجان - نعلبکی (cup-cone) چیست؟

(۱) دور شدن حالت تنشی از «گرنش مسطح»

(۲) رسیدن تنش برشی به مقدار حداکثر خود

(۳) نازک شدن قطعه به سمت بیرون

(۴) همه موارد



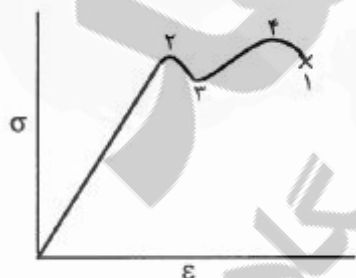
۷۵- پدیده گلوگاهی شدن فلزات نرم (داکتیل)، در کدام ناحیه از نمودار روبه‌رو، اتفاق می‌افتد؟

(۱) ۱

(۲) ۲

(۳) ۳

(۴) ۴



۷۶- با افزایش آهنگ خنک نمودن  $\frac{^\circ C}{s}$  ترکیب یوتکتیکی، حالت دانه‌ها و خواص مکانیکی، چگونه تغییر خواهند کرد؟

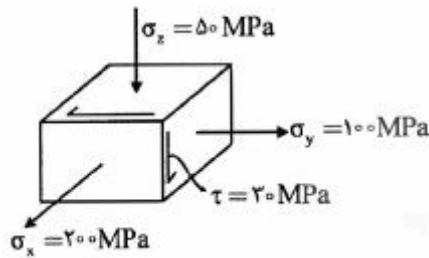
(۱) دانه‌ها ریزتر شده و خواص مکانیکی بهبود خواهد یافت.

(۲) دانه‌ها ریزتر شده و خواص مکانیکی کاهش می‌یابد.

(۳) دانه‌ها درشت‌تر شده و خواص مکانیکی کاهش می‌یابد.

(۴) دانه‌ها درشت‌تر شده و خواص مکانیکی بهبود خواهد یافت.

۷۷- در موقعیت تنشی قطعه روبه‌رو، و با استفاده از معیار «ترسکا» و با فرض  $\sigma_y = 500 \text{ MPa}$  مقدار  $\sigma_x$  چند مگاپاسکال است و آیا شکست اتفاق می‌افتد؟



- (۱) ۲۵۰، شکست اتفاق نمی‌افتد.
- (۲) ۳۵۰، شکست اتفاق نمی‌افتد.
- (۳) ۵۵۰، شکست اتفاق می‌افتد.
- (۴) ۶۰۰، شکست اتفاق می‌افتد.

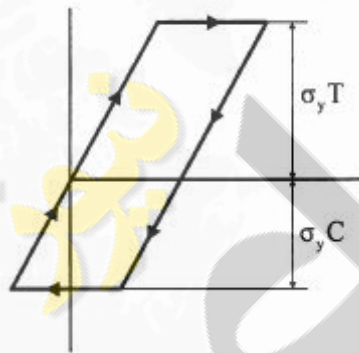
۷۸- در سخت‌گردانی محلول جامد با در نظر گرفتن اثر نسبت الکترون به اتم بر تنش آلیاژهای محلول جامد مس، کدام عنصر آلیاژی بیشترین میزان اثر بخشی را دارد؟



- (۱) Al
- (۲) Ge
- (۳) Ga
- (۴) Zn

۷۹- با در نظر گرفتن نمودار روبه‌رو، کدام گزینه صحیح است؟

$$\sigma_y T > \sigma_y C$$



- (۱) این پدیده به دلیل نابودی برخی از ناهنجاری‌ها، به‌هنگام انتقال وضعیت کششی به فشاری اتفاق افتاده است.
- (۲) افزایش حجم ناهنجاری‌ها از وضعیت کششی به فشاری، سبب این امر شده است.
- (۳) تغییر اندازه‌های هندسی قطعه، سبب تغییر شکل نمودار شده است.
- (۴) کاهش انرژی مصرف شده، سبب رسیدن به این پدیده می‌شود.

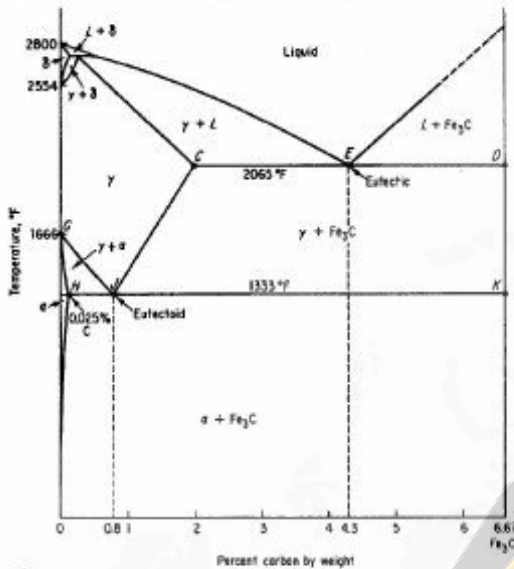
۸۰- با در نظر گرفتن دو دسته آلیاژهای زیر و با در نظر گرفتن نمودار TTT، حرکت (نمودار) به کدام سمت اتفاق می‌افتد؟

الف - Cu, Si, Mn, Ni, C

ب - V, Cr, Mo

- (۱) (الف) به سمت راست، (ب) به سمت پایین
- (۲) (الف) به سمت پایین، (ب) به سمت راست
- (۳) (الف) به سمت راست، (ب) به سمت بالا
- (۴) (الف) به سمت بالا، (ب) به سمت راست

۸۱- کدام دسته از عناصر زیر (از راست به چپ) ناحیه  $\gamma$  را کوچک، دمای یوتکتوتیک را کاهش و دمای یوتکتوئید را



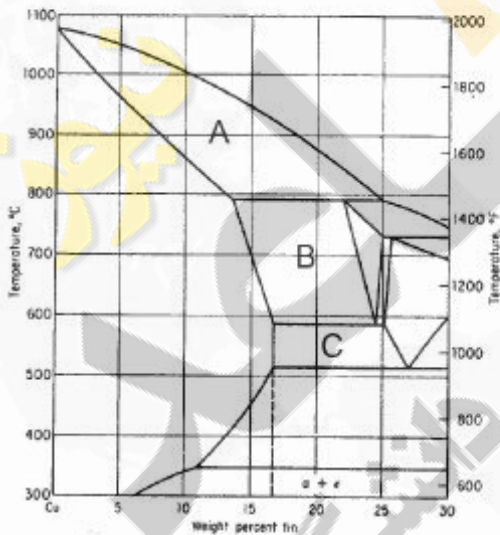
افزایش می دهد؟

- (۱) Ni, Mo, Ti
- (۲) Cr, Mn, W
- (۳) Cr, Mn, Ti
- (۴) Ni, Si, W

۸۲- در برنج، حلالیت روی با کاهش دما از ۳۲٪ در  $1657^{\circ}\text{F}$  به ۳۹٪ در  $885^{\circ}\text{F}$  افزایش می یابد و با توجه به اینکه  $\alpha$  دارای ساختمان FCC می باشد، ساختمان  $\beta$  چیست و آیا در آن پدیده، منظم شدن (Ordering) اتفاق می افتد؟

- (۱) BCC, خیر
- (۲) BCC, بلی
- (۳) FCC, خیر
- (۴) FCC, بلی

۸۳- در نمودار زیر A, B و C، معرف کدام فازها می باشند؟



- (۱)  $A = L + \gamma$  و  $B = \gamma$ ,  $C = \alpha + \beta$
- (۲)  $A = \beta + L$  و  $B = \beta$ ,  $C = \beta + \gamma$
- (۳)  $A = \alpha + L$  و  $B = \beta + \alpha$ ,  $C = \alpha + \gamma$
- (۴)  $A = \alpha + \gamma$  و  $B = \beta$ ,  $C = \beta + \gamma$

۸۴- در یک فرایند هم افزایی دو ناهه جایی جزئی، آیا واکنش زیر قابل اتفاق است، به کدام علت؟

$$\frac{a_0}{\sqrt{3}} = [\bar{1}\bar{1}1] + \frac{a_0}{\sqrt{2}} [\bar{1}11] \rightarrow a_0 [001]$$

- (۱) بله، انرژی کرنش ناهه جایی سمت چپ واکنش از انرژی کرنش ناهه جایی سمت راست بزرگتر است.
- (۲) بله، برای انجام این واکنش باید یک نقص انباشتگی (S.F) به سمت راست اضافه شود.
- (۳) خیر، انرژی های کرنش ناهه جایی سمت راست با انرژی کرنشی ناهه جایی سمت چپ برابر است.
- (۴) خیر، انرژی کرنش ناهه جایی سمت راست واکنش از انرژی کرنش ناهه جایی سمت چپ بزرگتر است.



۸۵- در حین انجام عملیات نورد گرم تیر آهن و با افزایش بار نورد و دمای تیر آن، میزان کارسختی دینامیکی چگونه تغییر می‌کند و اندازه دانه قطعه تمام شده در چه وضعیتی خواهد بود؟

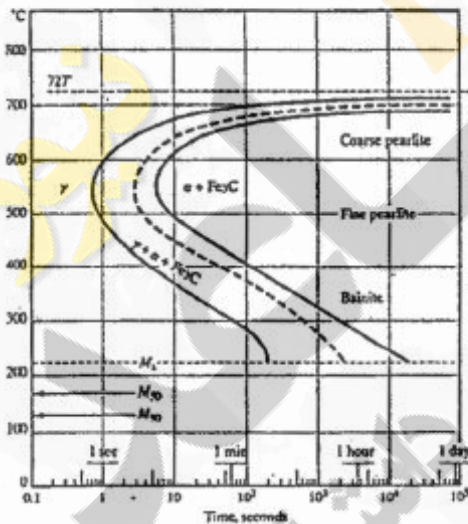
- (۱) کارسختی دینامیکی کاهش می‌یابد و اندازه دانه نهایی بزرگتر خواهد شد.
- (۲) کارسختی دینامیکی افزایش می‌یابد و اندازه دانه نهایی بزرگتر خواهد شد.
- (۳) کارسختی دینامیکی افزایش می‌یابد و اندازه دانه نهایی کوچکتر خواهد شد.
- (۴) کارسختی دینامیکی کاهش می‌یابد و اندازه دانه نهایی کوچکتر خواهد شد.

۸۶- پیرسازی کرنشی در فولاد به دلیل نوعی تداخل رسوب با نابه‌جایی‌هاست؛ اما اثر پورته وین له شاتلیه در کدام شرایط اتفاق می‌افتد؟

- (۱) در دمای بالا، نوعی کرنش سختی به دلیل نفوذ و درگیری ناخالصی‌ها با نابه‌جایی‌ها
  - (۲) در دمای اتاق، نوعی کرنش سختی دینامیکی به دلیل نفوذ و درگیری ناخالصی‌ها با نابه‌جایی‌ها
  - (۳) در دمای بالا، نوعی کرنش سختی دینامیکی به دلیل نفوذ و درگیری ناخالصی‌ها با نابه‌جایی‌ها
  - (۴) در دمای اتاق، نوعی کرنش سختی به دلیل نفوذ و درگیری ناخالصی‌ها با نابه‌جایی‌ها
- ۸۷- در یک فرایند متالورژیکی، پس از تشکیل کاربیدهای حل‌نشده، آهنگ رشد دانه‌ها کاهش و در نتیجه سختی‌پذیری کاهش می‌یابد. در این فرایند امکان تشکیل کدام کاربید وجود ندارد؟

- (۱)  $M_{23}C_6$       (۲)  $M_6C_{23}$       (۳)  $M_7C_3$       (۴) MC

۸۸- فولادی با ترکیب یونکتوئید از دمای  $850^{\circ}C$  با نرخ خنک شدن  $60$  درجه سانتی‌گراد بر ثانیه تا  $550^{\circ}C$  خنک و به یکبار در آب انداخته می‌شود. ساختار نهایی این فولاد چیست؟



- (۱) فریت، سمانتیت و مارتنزیت
- (۲) پرلیت درشت و مارتنزیت
- (۳) پرلیت درشت و بینیت
- (۴) فریت، سمانتیت و مارتنزیت

۸۹- از عناصری مانند V, Mo, Cr, W, Si, Mn, Ni برای استحکام‌بخشی فولاد استفاده می‌شود. کدام عنصر بیشترین و کدام یک کمترین اثربخشی را دارد؟

- (۱) Cr-Si      (۲) Mo-Ni      (۳) V-Si      (۴) Ni-Cr

۹۰- مقدار کربن سطح (یا همان اتمسفر کوره) قطعه فولاد کربنی AISI 1010 در حال گرم‌گرددن شدن کدام است؟ اگر درصد کربن در عمق قطعه  $x = 2 \text{ mm}$  برابر با  $0.45\%$  باشد. (مقدار تابع خطا در این وضعیت  $0.7\%$  است).

- (۱)  $1/81$       (۲)  $1/26$       (۳)  $1/05$       (۴)  $1/12$

## الکتروشیمی و خوردگی:

۹۱- ثابت پیل در یک سیستم رسانایی سنجی در  $25^{\circ}\text{C}$  برابر  $1/2\text{cm}^{-1}$  است. این پیل از محلول اشباع  $\text{AgCl}$  در  $25^{\circ}\text{C}$  با هدایت  $1/44 \times 10^{-6} \text{ohm}^{-1}$  پر شده است. در صورتی که  $\lambda_{\text{Cl}^{-}}^{\circ} = 76/4$  و  $\lambda_{\text{Ag}^{+}}^{\circ} = 61/9$  باشد، حاصل ضرب انحلال پذیری نقره کلرید، کدام است؟

(۱)  $1 \times 10^{-11}$

(۲)  $2 \times 10^{-9}$

(۳)  $1/56 \times 10^{-10}$

(۴)  $5 \times 10^{-8}$

۹۲- پتانسیل الکتروود  $\text{AgCl}/\text{Ag}$  در محلول  $0/1\text{M}$   $\text{NaCl}$  و  $\text{pH} = 4$  چند ولت است؟ (دمای محیط  $25^{\circ}\text{C}$  می باشد).

$E^{\circ}\text{A,Cl}/\text{Ag} = +0/222\text{V}$

$E^{\circ}\text{Ag}^{+}/\text{Ag} = +0/799\text{V}$

(۲)  $0/222$

(۱)  $0/162$

(۴)  $0/343$

(۳)  $0/281$

۹۳- پتانسیل پیل روی - هیدروژن در دمای  $25^{\circ}\text{C}$  و فشار هیدروژن  $1\text{atm}$  در محلول  $0/1\text{M}$  کلرید روی  $0/73$  ولت می باشد.  $\text{pH}$  سیستم چقدر است؟  $E^{\circ}\text{Zn}^{2+}/\text{Zn} = -0/76\text{V}$

$E^{\circ}\text{Zn}^{2+}/\text{Zn} = -0/76\text{V}$

(۴) ۳

(۳) ۲

(۲) ۱

(۱) ۰

۹۴- شیب خط جداکننده فازهای  $\text{Fe}$  و  $\text{Fe}(\text{OH})_3$  در نمودار پوریت آهن چقدر است؟

(۲)  $-0/06$

(۱)  $-0/03$

(۴)  $-0/18$

(۳)  $-0/12$

۹۵- جرم نیکل آبرکاری شده از محلول شامل یون نیکل در جریان  $0/5\text{A}/\text{cm}^2$  و در زمان  $1/072$  ساعت، چند گرم است؟  $M_{\text{Ni}} = 58/7\text{g}$

$M_{\text{Ni}} = 58/7\text{g}$

(۲)  $0/587$

(۱)  $0/423$

(۴)  $5/87$

(۳)  $4/23$

۹۶- کدام یک، منشأ ایجاد پتانسیل نامتقارن در الکتروود  $\text{pH}$  متر می باشد؟

(۱) اختلاف پتانسیل دو الکتروود مرجع درون الکتروود شیشه‌ای

(۲) اختلاف غلظت  $\text{H}^{+}$  در دو سمت غشای شیشه‌ای

(۳) اختلاف ساختار دو سمت غشای شیشه‌ای

(۴) اختلاف غلظت  $\text{Na}^{+}$  در دو سمت غشای شیشه‌ای

۹۷- علت استفاده از اسید بوریک  $\text{H}_3\text{BO}_3$  در آبکاری نیکل از محلول کلرید نیکل، کدام است؟

(۲) جذب یون بورات در سطح الکتروود

(۱) تشکیل کمپلکس بورات یا نیکل

(۴) کنترل  $\text{pH}$  محلول در حالت اسیدی قوی(۳) کنترل  $\text{pH}$  محلول در حالت اسیدی ملایم

۹۸- ضخامت لایه هلم هولتز داخلی در دو لایه‌ای الکتريکی، چقدر است؟

(۴)  $10\mu\text{m}$

(۳)  $1\mu\text{m}$

(۲)  $1\text{nm}$

(۱)  $0/2\text{nm}$

۹۹- رابطه  $C_v \cdot \frac{1}{\gamma} \rho V^2 + P_{\text{vapour}} - P_o = 0$ ، معرف کدام است؟

- (۱) انرژی جنبشی جریان گردابی  
(۲) انرژی جنبشی ضربه قوچ  
(۳) عدد رنالدز  
(۴) عدد کاویتاسیون

۱۰۰- در کدام فلز و آلیاژهای آن و به کدام دلیل خوردگی اگسفلوآسیونی اتفاق می‌افتد؟

- (۱) Al - چرخش دانه‌ها و به دلیل تکسچر خاص  
(۲) Cu - چرخش دانه‌ها و به دلیل تکسچر خاص  
(۳) Al - داشتن تنش پس‌ماند پیش از حد معمول  
(۴) Cu - داشتن تنش پس‌ماند بیش از حد معمول

۱۰۱- از ممانعت‌کننده‌هایی که به صورت بخار در می‌آیند برای حفاظت از خوردگی دستگاه و قطعات مهندسی استفاده می‌شود. مقدار فشار بخار این نوع ممانعت‌کننده‌ها چند میلی‌متر جیوه است؟

- (۱)  $10^{-4}$  تا ۱  
(۲) ۱۰ تا  $10^2$   
(۳) ۱ تا ۱۰  
(۴) ۰/۱ تا ۱۰

۱۰۲- در طراحی حفاظت کاتدی، قطب منفی به کدام الکتروود متصل می‌شود و در صورتی که مقاومت الکتریکی خاک، کاهش یابد، جریان از طریق بکسو کننده به چه صورت تغییر می‌کند؟

- (۱) الکتروود آند - جریان بیشتر می‌شود.  
(۲) قطعه مورد حفاظت - جریان کمتر می‌شود.  
(۳) الکتروود آند - جریان کمتر می‌شود.  
(۴) قطعه مورد حفاظت - جریان بیشتر می‌شود.

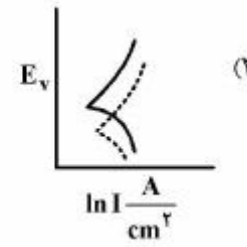
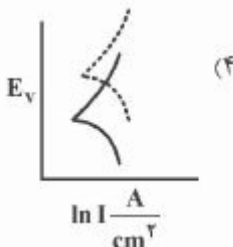
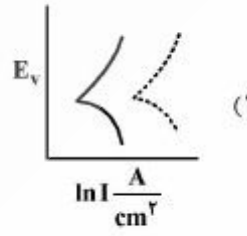
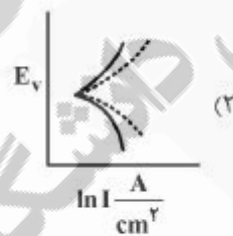
۱۰۳- ترک‌های خوردگی تنشی SCC یا مرزدانه‌ای و یا میان دانه‌ای هستند. کدام مکانیزم برای مرزدانه‌ای و کدام مکانیزم برای میان دانه‌ای پیشنهاد شده است؟

- (۱) پیل گالوانیکی - تردی هیدروژنی  
(۲) تردی هیدروژنی - پیل گالوانیکی  
(۳) کنترل کرنشی - گذرگاه فعال  
(۴) گذرگاه فعال - کنترل کرنشی

۱۰۴- به هنگام جوش کاری غلط و خارج از استاندارد فولاد زنگ‌نزن آستنیتی، احتمال بروز کدام نوع خوردگی بیشتر می‌شود؟ (با فرض انتخاب الکتروود صحیح)

- (۱) خوردگی تنش از نوع مرزدانه‌ای  
(۲) خوردگی شیاری در محل جوش کاری  
(۳) خوردگی گالوانیکی بین جوش و قطعه  
(۴) خوردگی تنش از نوع میان دانه‌ای

۱۰۵- در حضور باکتری خوردنده SRB، خوردگی فولاد در ناحیه آندی و کاتدی پلاریزه می‌شود. در این مورد نمودار صحیح کدام است؟ (با فرض عدم تغییر پتانسیل آزاد OCP)

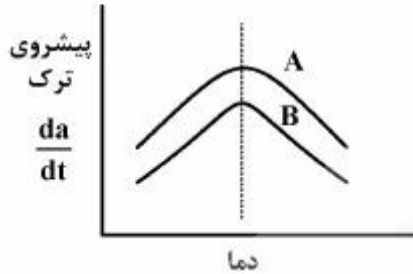


فلز بدون باکتری

فلز در حضور باکتری



۱۰۶- پیشروی ترک  $\frac{da}{dt}$  فولاد AISI4130 در مجاورت هیدروژن، در کدام مورد، صحیح است؟



(۱)  $B = 1330 \text{ MPa}$  ،  $A = 1190 \text{ MPa}$

(۲)  $B = 10 \text{ ppm H}$  ،  $A = 1 \text{ ppm H}$

(۳)  $B = 10000 \text{ MPa}$  ،  $A = 10000 \text{ MPa}$

(۴)  $B = 1190 \text{ MPa}$  ،  $A = 1330 \text{ MPa}$

۱۰۷- عامل رشد حفره‌ها در خوردگی حفره‌ای، کدام است؟

(۱) اختلاف  $\text{OH}^-$  در حفره و بیرون حفره

(۲) اختلاف غلظت اکسیژن در حفره و بیرون حفره

(۳) جمع شدن محصولات خوردگی در خارج حفره

(۴) جمع شدن محصولات خوردگی در درون حفره

۱۰۸- علت نرسیدن پتانسیل روی به آهن در حفاظت کاتدی آهن، به وسیله کدام است؟

(۱) احیای هیدروژن بر روی آهن

(۲) احیای هیدروژن بر روی Zn

(۳) افت اهمی سیستم

(۴) ثابت تعادل پیل  $\text{Cu-Zn}$  در دمای  $25^\circ\text{C}$  و فشار  $1 \text{ atm}$  چقدر است؟

$$E^\circ \frac{\text{Zn}^{2+}}{\text{Zn}} = -0.76\text{V}$$

$$E^\circ \frac{\text{Cu}^{2+}}{\text{Cu}} = +0.34\text{V}$$

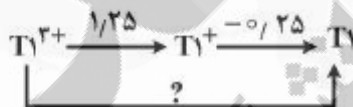
(۱)  $3.87 \times 10^{27}$

(۲)  $1.62 \times 10^{27}$

(۳)  $3.87 \times 10^{18}$

(۴)  $1.62 \times 10^{17}$

۱۱۰- با توجه به نمودار پتانسیل الکتروود استاندارد زیر،  $E^\circ$  نیمه واکنش  $\text{Tl}^{3+} \rightarrow \text{Tl}$ ، چند ولت است و آیا یون  $\text{Tl}^+$  در محلول آبی پایدار است؟



(۱)  $0.72$  بلی

(۲)  $0.75$  خیر

(۳)  $0.1$  بلی

(۴)  $0.75$  بلی

مقاومت مصالح و تست‌های غیر مخرب:

۱۱۱- ماکزیمم زاویه مجاز پیچش یک شافت به قطر  $1 \text{ in}$ ، طول  $30 \text{ in}$ ، تنش مجاز  $10000 \text{ psi}$  و  $G = 12000000 \text{ psi}$ ، چند رادیان است؟

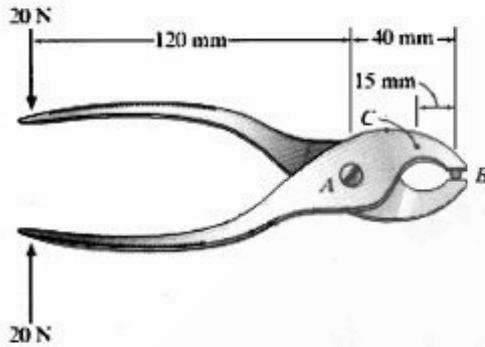
(۱)  $0.04$

(۲)  $0.05$

(۳)  $0.07$

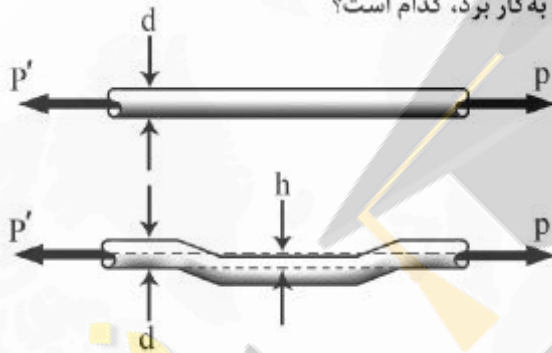
(۴)  $0.08$

۱۱۲- در سیم‌چین (انبردست) شکل زیر، اگر فک‌ها در B صاف و اتصال در A پین باشد، ممان خمشی در مقطع عمودی که از C می‌گذرد، چند نیوتن متر است؟



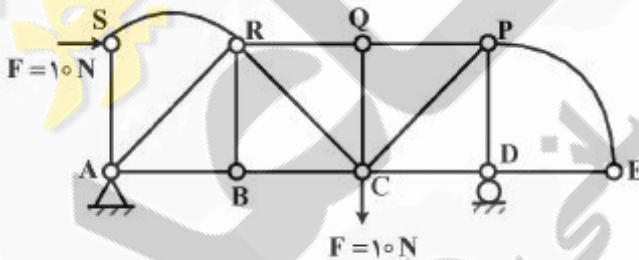
- (۱)
- /۹ (۲)
- ۲/۴ (۳)
- ۳/۲ (۴)

۱۱۳- میله‌ای با خروج از مرکز  $h$  به جای میله مستقیم به کار برده می‌شود. اگر قطر میله  $d$  و جنس یکسان باشد و بدانیم که تنش ماکزیمم در میله با خروج از مرکز (خمیده، افست شده) نباید از  $5$  برابر تنش ماکزیمم در میله مستقیم بیشتر باشد، بیشترین  $h$  (افست، خمیدگی) که می‌توان به کار برد، کدام است؟



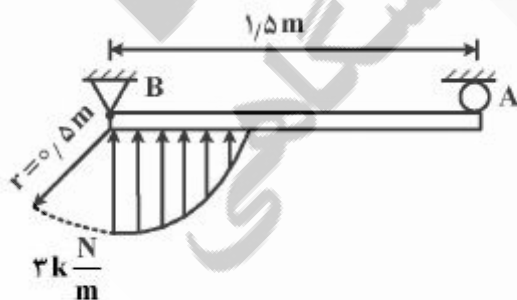
- /۵ d (۱)
- d (۲)
- ۱/۵ d (۳)
- ۲ d (۴)

۱۱۴- در سازه زیر، چند عضو اضافی (دارای بار صفر) وجود دارد؟



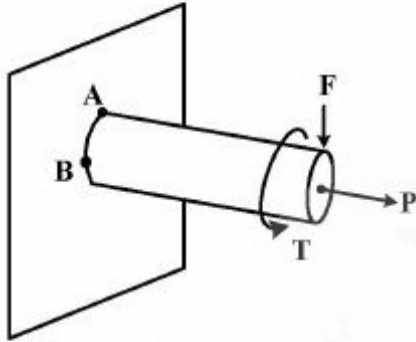
- ۳ (۱)
- ۴ (۲)
- ۵ (۳)
- ۶ (۴)

۱۱۵- در بارگذاری زیر، میزان عکس‌العمل تکیه‌گاه A، چند کیلونیوتن است؟



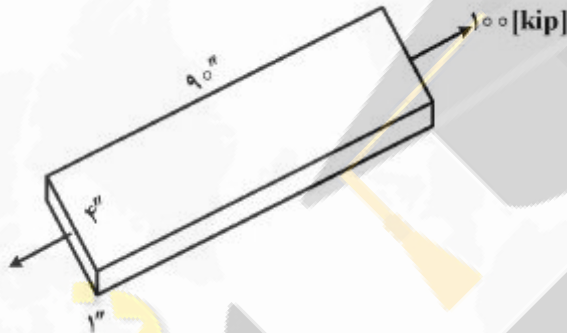
- ۱ (۱)
- ۲ (۲)
- ۱۰ (۳)
- ۲۰ (۴)

۱۱۶- در شکل روبه‌رو، استوانه فولادی تحت تأثیر نیروی محوری  $P$ ، نیروی برشی  $F$  و کوپل پیچشی  $T$  قرار گرفته است. در این مورد گزینه صحیح کدام است؟



- (۱) ضریب اطمینان در نقطه A کمتر از B است.
- (۲) ضریب اطمینان در نقطه A بیشتر از B است.
- (۳) ضریب اطمینان در نقاط A و B مساوی است.
- (۴) ضریب اطمینان قابل پیش‌بینی نیست.

۱۱۷- در اثر اعمال بار محوری ۱۰۰kip به میله مکعب مستطیلی به ابعاد  $1 \times 4 \times 9 \text{ in}$ ، طول میله به مقدار  $0.709 \text{ in}$  افزایش و عرض آن از  $4 \text{ in}$  به  $3.9986 \text{ in}$  کاهش می‌یابد. نسبت پواسون میله، کدام است؟



- (۱) ۰/۳۰
- (۲) ۰/۳۳
- (۳) ۰/۲۵
- (۴) ۰/۵

۱۱۸- اگر دو سر یک میله راست را به گونه‌ای مقید کنیم که انبساط طولی آن ممکن نباشد، افزایش دمای یکنواخت آن موجب کدام تنش محوری خواهد شد؟

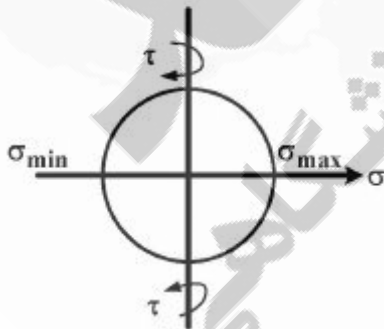
$$\sigma = \frac{\alpha(\Delta T)E}{1-\nu} \quad (۲)$$

$$\sigma = \alpha(\Delta T)E \quad (۴)$$

$$\sigma = -\frac{\alpha(\Delta T)E}{1-\nu} \quad (۱)$$

$$\sigma = -\alpha(\Delta T)E \quad (۳)$$

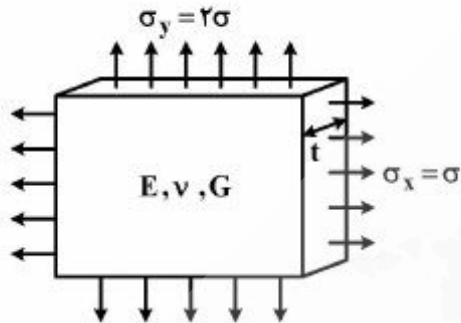
۱۱۹- دایره مور زیر مربوط به کدام حالت بارگذاری می‌باشد؟



- (۱) میله فولادی تحت تأثیر نیروی محوری
- (۲) میله فولادی تحت تأثیر کوپل پیچشی
- (۳) میله فولادی تحت تأثیر ممان خمشی
- (۴) میله فولادی تحت نیروی محوری و کوپل پیچشی



۱۲۰- تغییر ضخامت ورق فولادی زیر، برابر کدام است؟



$$(1) -4 \frac{\sigma \nu t}{E}$$

$$(2) -2 \frac{\sigma \nu t}{E}$$

$$(3) -\frac{\sigma \nu t}{E}$$

$$(4) -3 \frac{\sigma \nu t}{E}$$

۱۲۱- در کدام مورد، نمی توان از آزمون مایع نافذ استفاده نمود؟

- (۱) سطوح دوار (۲) سطوح عمود (۳) مواد غیرفلزی (۴) مواد متخلخل

۱۲۲- رویش B (B-Scan) در آزمون آلتراسونیک، نشان دهنده کدام است؟

- (۱) یک نمای برشی از قطعه تحت آزمون (۲) یک نمای قطعه تحت آزمون  
(۳) عمق ناپیوستگی از سطح پشتی (۴) دامنه ناپیوستگی

۱۲۳- کدام یک از شرایط زیر، موجب افزایش عمق بازرسی می شود؟

- (۱) کاهش ضخامت صفحه پیزوالکتریک - کاهش ماده پشتی  
(۲) کاهش ضخامت صفحه پیزوالکتریک - افزایش ماده پشتی  
(۳) افزایش ضخامت صفحه پیزوالکتریک - کاهش ماده پشتی  
(۴) افزایش ضخامت صفحه پیزوالکتریک - افزایش ماده پشتی

۱۲۴- دو قطعه، اولی از جنس مواد فرومغناطیس نرم (Soft Magnet) و دومی از جنس مواد فرومغناطیس سخت

(Hard Magnet) در یک میدان مغناطیسی مشابه قرار داده شده و پودر (ذرات) آهن روی آن‌ها پاشیده شود.

پس از خارج نمودن دو قطعه از میدان مغناطیسی مذکور، کدام مورد اتفاق می افتد؟

- (۱) قطعه اولی در میدان مغناطیسی، پودر آهن بیشتری به خود جذب می کند و پس از خارج شدن از میدان، همچنان قادر به جذب آن ذرات می باشد.  
(۲) قطعه اولی در میدان مغناطیسی، پودر آهن بیشتری به خود جذب می کند اما پس از خارج شدن از میدان، پودرهای آهن از قطعه جدا می شوند.  
(۳) قطعه دومی در میدان مغناطیسی، پودر آهن بیشتری به خود جذب می کند و پس از خارج شدن از میدان مغناطیسی همچنان قادر به جذب آن ذرات می باشد.  
(۴) اصولاً مواد فرومغناطیسی نرم نسبت به مواد فرومغناطیس سخت، خاصیت نفوذپذیری مغناطیسی کمتری دارند اما قابلیت نگهداری خاصیت آهن ربایی آن‌ها بیشتر می باشد.

۱۲۵- در آزمون مایع نافذ (PT)، ماده ظهور کدام ویژگی را باید داشته باشد؟

- (۱) زدوده نشدن از روی سطح (۲) نه جاذب الرطوبه و نه زیاد خشک  
(۳) جاذب الرطوبه (۴) زیاد خشک

۱۲۶- از آزمون ذرات مغناطیسی، برای بازرسی کدام دسته از مواد می توان استفاده نمود؟

- (۱) مواد آنتی فرومغناطیس (۲) مواد پارا مغناطیس  
(۳) مواد دیامغناطیس (۴) مواد فرومغناطیس

۱۲۷- از روش اتصال قلمی (prob) برای بازرسی قطعات حساس استفاده نمی‌شود، علت کدام است؟

(۱) از جریان ac برای انجام آزمون استفاده می‌شود.

(۲) موجب ایجاد سوختگی در سطح قطعه می‌شود.

(۳) فقط عیوب محیطی را تشخیص می‌دهد.

(۴) فقط عیوب طولی را تشخیص می‌دهد.

۱۲۸- در کدام یک از امواج زیر، سرعت موج در ماده، تابع فرکانس امواج است؟

(۱) امواج ریلی

(۲) امواج عرضی

(۳) امواج طولی

(۴) امواج لمب

۱۲۹- در مورد امواج عرضی، کدام گزینه صحیح است؟

(۱) سرعت ارتعاش ذرات برابر نصف سرعت امواج طولی است.

(۲) زاویه واگرایی از زاویه واگرایی امواج طولی بیشتر است.

(۳) سرعت، تابع فرکانس امواج منتشرشده است.

(۴) استهلاک، بیشتر از امواج طولی است.

۱۳۰- از قانون اسنل (snells law) به منظور تعیین کدام یک از روابط زیر استفاده می‌شود؟

(۱) سرعت موج طولی و زاویه تماس

(۲) فرکانس و استهلاک

(۳) زاویه تابش و زاویه شکست

(۴) فرکانس و سرعت

نیوز

سازمان

دانشگاهی

اطلاع

روابط







