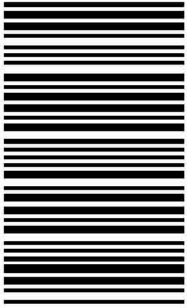


کد کنترل

454

E



454E

آزمون ورودی دوره‌های کارشناسی ارشد ناپیوسته داخل - سال ۱۴۰۱

صبح چهارشنبه

۱۴۰۱/۰۲/۲۸



جمهوری اسلامی ایران
وزارت علوم، تحقیقات و فناوری
سازمان سنجش آموزش کشور

«اگر دانشگاه اصلاح شود مملکت اصلاح می‌شود.»
امام خمینی (ره)

مهندسی ایمنی، بهداشت و محیط‌زیست (HSE) (کد ۱۲۹۳)

زمان پاسخ‌گویی: ۲۰۰ دقیقه

تعداد سؤال: ۱۳۰

جدول مواد امتحانی، تعداد و شماره سؤال‌ها

ردیف	مواد امتحانی	تعداد سؤال	از شماره	تا شماره
۱	زبان عمومی و تخصصی (انگلیسی)	۳۰	۱	۳۰
۲	ریاضی ۱	۱۵	۳۱	۴۵
۳	آمار و احتمالات مهندسی	۱۵	۴۶	۶۰
۴	استاتیک	۲۰	۶۱	۸۰
۵	مهندسی آب و فاضلاب	۲۵	۸۱	۱۰۵
۶	مهندسی محیط‌زیست	۲۵	۱۰۶	۱۳۰

این آزمون نمره منفی دارد.

استفاده از ماشین حساب مجاز نیست.

* متقاضی گرامی، وارد نکردن مشخصات و امضا در کادر زیر، به منزله غیبت و حضور نداشتن در جلسه آزمون است.

اینجانب با شماره داوطلبی با آگاهی کامل، یکسان بودن شماره صندلی خود را با شماره داوطلبی مندرج در بالای کارت ورود به جلسه، بالای پاسخنامه و دفترچه سؤال‌ها، نوع و کد کنترل درج شده بر روی دفترچه سؤال‌ها و پایین پاسخنامه‌ام را تأیید می‌نمایم.

امضا:

زبان عمومی و تخصصی (انگلیسی):

PART A: Vocabulary

Directions: Choose the word or phrase (1), (2), (3), or (4) that best completes each sentence. Then mark the answer on your answer sheet.

- 1- Growing older and more decrepit appeared to be an ----- and necessary part of being human.
1) inevitable 2) intangible 3) unforeseeable 4) unsentimental
- 2- I don't really think I'd have the ----- to finish a marathon!
1) concern 2) candor 3) endurance 4) autonomy
- 3- Her marriage started to improve once her husband finally ----- he had an anger problem and began to take counseling.
1) identified 2) emerged 3) hesitated 4) acknowledged
- 4- Society is an interdependent system that ----- widespread cooperation to function.
1) proceeds 2) requires 3) fascinates 4) conveys
- 5- Our blue planet is a ----- . Life depends on water, yet in its natural form, the water in the oceans will not sustain us because we cannot drink salt water.
1) refuge 2) remedy 3) paradox 4) vacillation
- 6- I thought I was buying a/an ----- native Indian carving, but discovered later that it was machine-made.
1) genuine 2) definitive 3) secretive 4) artificial
- 7- The entrepreneur had a well-deserved reputation for -----, having accurately anticipated many changes unforeseen by established business leaders.
1) modesty 2) hindsight 3) prescience 4) extroversion
- 8- Studies of longevity among turtles are sometimes ----- by the fact that the subjects live so long that researchers retire before the studies can be completed.
1) stabilized 2) hampered 3) diversified 4) verified
- 9- Kevlar is a ----- new material which is used for everything from airplane wings, to bullet-proof vests, to hockey sticks.
1) prescriptive 2) versatile 3) dormant 4) derivative
- 10- If exploitation of the planet's resources continues as at present, then the lifestyle we currently enjoy ----- the risk of causing significant damage to the world.
1) proposes 2) puts 3) shapes 4) runs

PART B: Cloze Test

Directions: Read the following passage and decide which choice (1), (2), (3), or (4) best fits each space. Then mark the correct choice on your answer sheet.

Scientists and philosophers have been grappling with the relationship between language and thought for centuries. There have always been (11) ----- that our picture of the Universe depends on our native tongue. Since the 1960s, however, (12) ----- the ascent of thinkers like Noam Chomsky, and a host of cognitive scientists, (13) ----- that linguistic differences don't really matter, (14) ----- language is a universal human trait, and that our ability to talk to one another owes more to our shared genetics (15) ----- . But now the pendulum is beginning to swing the other way as psychologists re-examine the question.

- | | | | | |
|-----|--------------------------------|---------------------------------|---------|---------|
| 11- | 1) that they argue | 2) those who argue | | |
| | 3) an argument by those | 4) arguing those who | | |
| 12- | 1) with | 2) for | 3) by | 4) in |
| 13- | 1) whose consensus | 2) who has the consensus | | |
| | 3) the consensus has been | 4) is the consensus | | |
| 14- | 1) a | 2) the | 3) what | 4) that |
| 15- | 1) and our cultures vary | 2) than to our varying cultures | | |
| | 3) than our cultures that vary | 4) as to our varying cultures | | |

PART C: Reading Comprehension

Directions: Read the following three passages and answer the questions by choosing the best choice (1), (2), (3), or (4). Then mark the correct choice on your answer sheet.

PASSAGE 1:

The science of industrial hygiene pertains to the application of scientific practices and principles in execution of an industrial hygiene program. The foundation of an industrial hygiene program is based on mathematics and the interpretation and application of the data. Science and math are critical in determining whether a worker is working in a hazardous environment, and whether the worker has been exposed to a hazardous substance or condition. Math and science are important in determining what concentrations a worker is exposed to, along with formulas to apply when identifying the most appropriate hazard control method. The application of ventilation as a primary hazard control method is a great example of when science is used to determine the required capture velocity for controlling particulates in an airstream.

The exposure assessment process itself is a mathematically-driven process that requires the use of math and science in determining the best approach for managing hazardous work environments and identifying occupational injury and illness. The exposure assessment process is a scientific approach with defined sequential steps, uses statistics in the sampling and data analysis process to determine a level of protectedness of the worker to workplace hazards, and is fundamental in the

correlation of occupational injuries and illnesses. Data that is gathered through a scientifically-based approach assists the occupational health provider in understanding and determining acute and chronic symptoms of an occupational exposure. Although communicating with and managing people is primarily a professional judgment process, assisting people in understanding known health effects caused by exposure to a specific concentration level involves the use of math and science.

16- What does the passage mainly discuss?

- 1) Methods of identifying hazardous environments
- 2) The role of science and math in industrial hygiene
- 3) How scientists and industrial hygienists should cooperate
- 4) How interpretation and application of data drives science

17- According to paragraph 1, the identification of a hazardous working environment -----.

- 1) is only possible through applying certain formulas
- 2) can lead to the collapse of the whole business
- 3) is facilitated by science and mathematics
- 4) is primarily made by the workers

18- Which of the following is NOT mentioned in the passage about the exposure assessment process?

- 1) Its data analysis involves statistics.
- 2) It is a mathematically driven process.
- 3) It has a clearly defined series of steps.
- 4) It suggests treatment options for occupational injury and illness.

19- The word "acute" in paragraph 2 is closest in meaning to -----.

- 1) severe
- 2) prolonged
- 3) repeated
- 4) typical

20- What is considered to be mainly a professional judgment process in paragraph 2?

- 1) Using the exposure assessment process
- 2) Communicating with people and managing them
- 3) Teaching people about the health effects of exposure
- 4) Helping people understand how to use math and science for their safety

PASSAGE 2:

Some countries are working together to produce a method that can be employed to prevent bacterial contamination of lakes, rivers, and oceans. This method, however, does not actually cleanse the water. Rather, it is used to evaluate which areas in a region may contribute to water contamination. It is especially useful near agricultural regions. These areas are where contamination is most likely to occur. Large amounts of animal waste in these areas increase the possibility of harmful contaminants making their way into water. This new method will be used to test the agricultural regions and determine where preventative measures are needed.

Due to the high amount of animal waste used and produced by the agriculture industry, analysts have adjusted their efforts specifically to such areas. When precipitation occurs near facilities that hold animals, it is possible that contaminants will be picked up from waste material and run into water sources. In addition, many vegetable farmers may use animal waste to fertilize their fields. This can also contaminate runoff water. As these processes are necessary to provide food for a

country, it is impossible to stop them entirely. Instead, these new methods are being employed to locate particular spots that are most likely to cause contamination.

These methods involve taking a number of soil samples from any given agricultural area and bringing them to a lab. The samples are analyzed to count bacteria. Those with particularly high concentrations of bacteria are matched with the region they were taken from. Researchers can then return to high-risk areas and help local people take measures to prevent contamination by runoff. For instance, farmers might avoid heavily watering a high-risk field. By watering high-risk fields more frequently using less water, the risk of contamination by runoff is minimized. Since water is less likely to run out of the field this way, it is also less likely to work its way into public water sources. The methods can also be adjusted in regions where water pollution is already occurring. Finding the most intense sources of pollution allows experts to focus their attention on the few areas that need the most work.

- 21- What does the method described in the passage do to prevent water contamination?**
- 1) It attempts to cleanse the water around agricultural regions.
 - 2) It helps clean up the harmful animal waste produced in agricultural areas.
 - 3) It educates farmers about the harmful contaminants in animal waste.
 - 4) It identifies the areas that are more likely to contribute to water contamination.
- 22- According to paragraph 2, what helps contaminants from animal waste find their way into water?**
- | | |
|-------------------|---------------------------|
| 1) Fertilizers | 2) Rain or snow |
| 3) Lack of fences | 4) Agricultural machinery |
- 23- The word "locate" in paragraph 2 can be best replaced by -----.**
- | | | | |
|-------------|---------|----------|---------|
| 1) discover | 2) stop | 3) reach | 4) mark |
|-------------|---------|----------|---------|
- 24- According to paragraph 3, soil samples from farms are taken into a laboratory in order to -----.**
- 1) analyze whether they may get into the food being grown
 - 2) evaluate the concentration of bacteria within them
 - 3) check if the fertilizer used is appropriate
 - 4) see if they may run into water sources
- 25- What can be done to decrease the risk of contamination by runoff in high-risk fields?**
- 1) Using organic fertilizers
 - 2) Using public water sources for watering them
 - 3) Irrigating them more often with less water
 - 4) Watering them heavily to wash out contaminants

PASSAGE 3:

During the morning of Friday 25 September 1998 in the Langford plant, a pump supplying heated lean oil to heat exchanger GP905 in Gas Plant No. 1 went offline for four hours, due to an increase in flow from the Marlin Gas Field which caused an overflow of condensate in the absorber.

A heat exchanger is a vessel that allows the transfer of heat from a hot stream to a cold stream, and so does not operate at a single temperature, but experiences a range of temperatures throughout the vessel. Temperatures throughout GP905 normally ranged from 60 °C to 230 °C. Investigators estimated that, due to the failure of the lean oil pump, parts of GP905 experienced temperatures as low as -48 °C. Ice had formed on

the unit, and it was decided to resume pumping heated lean oil in to thaw it. When the lean oil pump resumed operation, it pumped oil into the heat exchanger at 230 °C - the temperature differential caused a brittle fracture in the exchanger (GP905) at 12.26pm.

About 10 metric tons of hydrocarbon vapor were immediately vented from the rupture. A vapor cloud formed and drifted downwind. When it reached a set of heaters 170 meters away, it ignited. This caused a deflagration (a burning vapor cloud). The flame front burnt its way through the vapor cloud, without causing an explosion. When the flamefront reached the rupture in the heat exchanger, a fierce jet fire developed that lasted for two days.

The rupture of GP905 led to other releases and minor fires. The main fire was an intense jet fire emanating from GP905. There was no blast wave - the nearby control room was undamaged. Damage was localized to the immediate area around and above the GP905 exchanger. Peter Wilson and John Lowery were killed in the accident and eight others were injured.

- 26- What is the main function of the passage?
- 1) To describe the sequence of events that led to the Langford accident
 - 2) To illustrate how inadequate training of staff can bring about disasters
 - 3) To explain different problems that an overflow of condensate can cause
 - 4) To show that the safety culture of the Langford plant was lower than expected
- 27- What does the word "which" in paragraph 1 refer to?
- 1) increase in flow
 - 2) Marlin Gas Field
 - 3) overflow of condensate
 - 4) heat exchanger GP905
- 28- Which of the following is true about a heat exchanger according to paragraph 2?
- 1) Oil is pumped into it through a small fracture.
 - 2) It carries heat from one hot stream to another.
 - 3) It is designed to operate at a single temperature.
 - 4) Its temperature varies considerably throughout the vessel.
- 29- According to the last paragraph, the number of casualties was -----.
- 1) Two
 - 2) Eight
 - 3) Ten
 - 4) Twelve
- 30- Which of the following terms is defined in the passage?
- 1) Blast
 - 2) Rupture
 - 3) Flamefront
 - 4) Deflagration

ریاضی ۱:

۳۱- مشتق تابع ضمنی $xy^2 + e^{2x} = \cos y$ ، کدام است؟

$$\frac{dy}{dx} = -\frac{y^2 + 2e^{2x}}{2xy + \sin y} \quad (۱)$$

$$\frac{dy}{dx} = \frac{y^2 + 2e^{2x}}{2xy + \sin y} \quad (۲)$$

$$\frac{dy}{dx} = -\frac{y^2 + 2e^{2x}}{2xy - \sin y} \quad (۳)$$

$$\frac{dy}{dx} = \frac{y^2 + 2e^{2x}}{2xy - \sin y} \quad (۴)$$

۳۲- حاصل حد $\lim_{n \rightarrow \infty} \sum_{k=1}^n \frac{1}{n} \tan^{-1}\left(\frac{2k-1}{2n}\right)$ ، با کمک انتگرال کدام است؟

(۱) $\frac{\pi}{4} + \ln \sqrt{2}$

(۲) $\frac{\pi}{2} + \ln 2$

(۳) $\frac{\pi}{4} - \ln \sqrt{2}$

(۴) $\frac{\pi}{2} - \ln 2$

۳۳- فرض کنید $g(x) = x^e e^{2x}$ و $f(x) = \int_0^x e^{2t} (2t^2 + 1)^{\frac{1}{2}} dt$ اگر $A = \lim_{x \rightarrow \infty} \frac{f'(x)}{g'(x)}$ متناهی و مخالف صفر باشد.

مقدار A کدام است؟

(۱) $\sqrt{3}$

(۲) $\frac{\sqrt{3}}{2}$

(۳) $\frac{\sqrt{3}}{3}$

(۴) $\frac{\sqrt{3}}{4}$

۳۴- فرض کنیم f دو بار مشتق پذیر، $\int_0^{\pi} (f(x) + f''(x)) \sin x \, dx = 5$ و $f(\pi) = 2$ باشد، در آن صورت حاصل $f(0)$

کدام است؟

(۱) ۱

(۲) ۲

(۳) ۳

(۴) ۴

۳۵- حاصل $\int_2^4 \frac{2x \, dx}{\sqrt{|x^2 - 9|}}$ ، کدام است؟

(۱) $\frac{1}{\sqrt{5} + \sqrt{7}}$

(۲) $\sqrt{5} + \sqrt{7}$

(۳) $\frac{2}{\sqrt{5} + \sqrt{7}}$

(۴) $2(\sqrt{5} + \sqrt{7})$

۳۶- مساحت ناحیه بین نمودارهای $y = \cos x, y = \sin x$ در فاصله $\left[\frac{\pi}{6}, 13\frac{\pi}{6}\right]$ کدام است؟

(۱) $4\sqrt{3}$

(۲) $4\sqrt{2}$

(۳) $2\sqrt{3}$

(۴) $2\sqrt{2}$

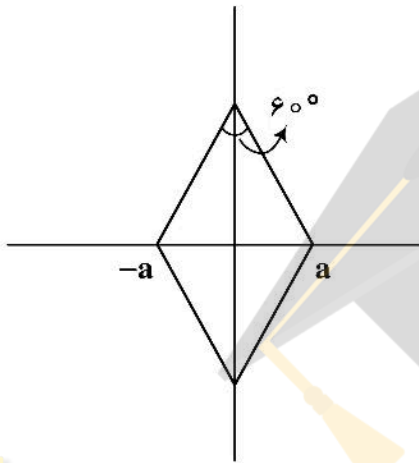
۳۷- مساحت روبه حاصل از دوران منحنی زیر حول خط $y = -2a$ ، کدام است؟ ($a \neq \pi$)

(۱) $16\sqrt{3}\pi a^3$

(۲) $16\pi a^2$

(۳) $32\pi a^2$

(۴) $8\sqrt{3}\pi a^3$



۳۸- فرض کنیم $f(t) = \int_0^{\infty} e^{-x} \frac{\sin tx}{x} dx$ ، باشد. مقدار $f\left(\frac{\sqrt{3}}{3}\right)$ ، کدام است؟

(۱) $\frac{\pi}{6}$

(۲) $\frac{\pi}{4}$

(۳) $\frac{\pi}{3}$

(۴) $\frac{\pi}{2}$

۳۹- طول منحنی (آستروئید) $x^2 + y^2 = 1$ ، واقع در ربع اول کدام است؟

(۱) $\frac{2}{5}$

(۲) $\frac{2}{3}$

(۳) $\frac{3}{2}$

(۴) $\frac{5}{2}$

۴۰- برای کدام مقدار a ، سری $\sum_{n=1}^{\infty} \left(\frac{a}{2n-1} - \frac{1}{3n+1} \right)$ همگرا است؟

(۱) ۱

(۲) $\frac{2}{3}$ (۳) $\frac{1}{2}$ (۴) $\frac{1}{3}$

۴۱- بازه همگرایی سری $\sum_{n=0}^{\infty} (n+1)^2 \left(\frac{x}{x+2} \right)^n$ ، کدام است؟

(۱) $(-1, +\infty)$ (۲) $(1, +\infty)$ (۳) $(-2, +\infty)$ (۴) $\mathbb{R} - \{-2, -1\}$

۴۲- ضریب جمله سوم در بسط تیلور تابع $f(x) = \ln x$ ، حول نقطه $x = 2$ ، کدام است؟

(۱) $-\frac{1}{4}$ (۲) $-\frac{1}{8}$ (۳) $\frac{1}{3}$ (۴) $\frac{1}{2}$

۴۳- در کدام یک از نقاط زیر، خط مماس بر دلتمای $r = 1 + \cos \theta$ ، موازی محور قطبی است؟ (مختصاتها به صورت

(r, θ) است.)

(۱) $(2, 0)$ (۲) $\left(\frac{1}{2}, -\frac{2\pi}{3}\right)$ (۳) $\left(1, \frac{\pi}{2}\right)$ (۴) $\left(\frac{3}{2}, \frac{\pi}{3}\right)$

۴۴- نمودار معادله $r^2 = \frac{1}{2 \sin^2 \theta - 3 \cos^2 \theta}$ در دستگاه مختصات قطبی در کدام گزینه صدق می کند؟

(۱) یک هذلولی با مجانب های مایل $y = \pm \frac{\sqrt{2}}{2} x$ است.

(۲) یک هذلولی با مجانب های مایل $y = \pm \frac{\sqrt{3}}{2} x$ است.

(۳) یک هذلولی قائم است که محور y ها را در نقاط $\pm \sqrt{2}$ قطع می کند.

(۴) یک هذلولی قائم است که محور y ها را در نقاط $\pm \frac{\sqrt{2}}{2}$ قطع می کند.

۴۵- اعداد مختلط z_1 تا z_8 و w_1 تا w_8 مطابق شکل زیر، روی دو دایره به شعاع های ۲ و ۴ رسم شده است. حاصل

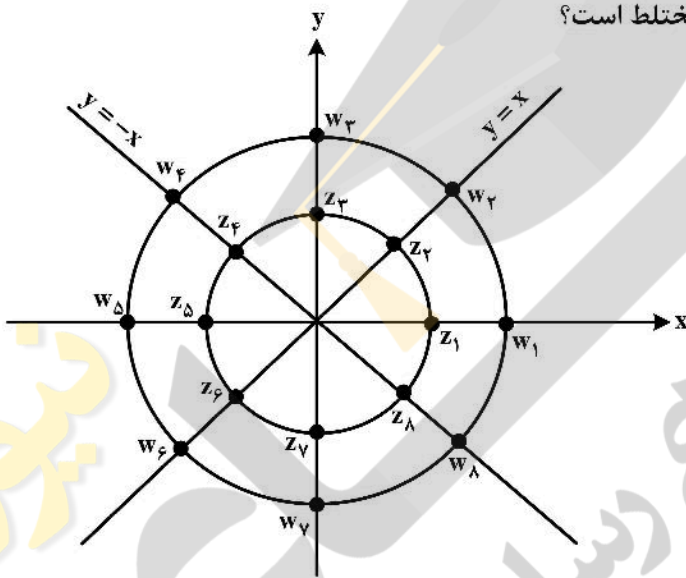
عبارت $\frac{1}{4} z_4^2 + \frac{w_3}{z_2} + \frac{1}{8} w_2 w_5$ برابر کدام عدد مختلط است؟

(۱) w_5

(۲) w_7

(۳) z_4

(۴) z_8



آمار و احتمالات مهندسی:

۴۶- یک امتحان تستی چهارگزینه ای شامل چهار سؤال است. اگر دانشجویی به تصادف به سؤال ها پاسخ دهد، احتمال

اینکه حداقل به ۲ سؤال پاسخ درست بدهد، تقریباً چقدر است؟

(۱) ۰٫۲۶

(۲) ۰٫۳۲

(۳) ۰٫۴۲

(۴) ۰٫۶۴

۴۷- پیشامد B و دنباله پیشامدهای $\{A_i\}_{i=1}^{\infty}$ را در نظر بگیرید. فرض کنید $P(B) \neq 0$ است. قرار می‌دهیم

$$p = P\left(\bigcup_{i=1}^{\infty} A_i \mid B\right)$$

کدام گزینه درست است؟

(۱) $p > \sum_{i=1}^{\infty} P(A_i \mid B)$

(۲) $p \leq \sum_{i=1}^{\infty} P(A_i \mid B)$

(۳) $p < \sum_{i=1}^{\infty} P(A_i \mid B)$

(۴) به پیشامدهای A_i و B بستگی دارد و هر دو جواب ۱ و ۲ می‌توانند درست باشند.

۴۸- فرض کنید در کیسه‌ای ۶ مهره سفید و ۴ مهره سیاه موجود باشد. از این کیسه یک مهره را به تصادف و بدون توجه به رنگ آن برمی‌داریم، آن را کنار می‌گذاریم. مهره دیگری از کیسه انتخاب می‌کنیم. احتمال اینکه این مهره سیاه باشد، کدام است؟

(۱) $\frac{9}{25}$ (۲) $\frac{2}{5}$ (۳) $\frac{27}{50}$ (۴) $\frac{3}{5}$

۴۹- سه ماشین به تولید یک کالا مشغول هستند. اولی این کالا را در ۲۰ دقیقه، دومی در ۳۰ دقیقه و سومی در ۶۰ دقیقه تولید می‌کند. اگر سه ماشین با هم این کالا را تولید کنند، متوسط زمان لازم برای ساخت یک کالا چند دقیقه است؟

(۱) ۳۶ (۲) $33\frac{1}{3}$ (۳) $30\frac{1}{6}$ (۴) ۳۰

۵۰- متغیر تصادفی X دارای تابع احتمالی به صورت زیر است. مقدار ثابت k کدام است؟

$$f_X(x) = \begin{cases} k(\ln x)^2 & 1 < x < e \\ 0 & \text{در سایر جاها} \end{cases}$$

(۱) $\frac{2}{e-1}$ (۲) $\frac{2}{e-2}$ (۳) $\frac{1}{e-2}$ (۴) $\frac{1}{e-1}$

۵۱- یک تاس چهاروجهی پرتاب شده است. اگر نتیجه پرتاب تاس n باشد، احتمال شیر آمدن یک سکه برابر با $\frac{n+1}{2n}$ است. اگر بدانیم در دو پرتاب سکه نتیجه شیر به دست آمده است، احتمال آنکه نتیجه پرتاب تاس عدد یک بوده چقدر است؟

(۱) $\frac{576}{1381}$ (۲) $\frac{574}{1381}$ (۳) $\frac{577}{1381}$ (۴) $\frac{571}{1381}$

۵۲- فرض کنید عدد حقیقی X را به تصادف از بازه (۱۲ و ۲) انتخاب می‌کنیم. مقدار $P(X^2 - 12X + 35 > 0)$ ، کدام است؟

(۱) $\frac{3}{10}$ (۲) $\frac{1}{2}$ (۳) $\frac{4}{5}$ (۴) $\frac{9}{10}$

۵۳- اگر تابع چگالی احتمال توأم متغیرهای تصادفی X و Y به صورت زیر باشد، آنگاه $E\left(X \mid Y = \frac{1}{2}\right)$ ، کدام است؟

$$f_{X,Y}(x,y) = \begin{cases} x+y & 0 < x < 1, 0 < y < 1 \\ 0 & \text{در سایر جاها} \end{cases}$$

- (۱) $\frac{5}{12}$ (۲) $\frac{7}{12}$ (۳) $\frac{7}{6}$ (۴) ۱

۵۴- اگر تابع احتمال متغیر تصادفی X به صورت

$$f_X(x) = \begin{cases} x & 0 < x < 1 \\ 2-x & 1 \leq x < 2 \\ 0 & \text{در سایر جاها} \end{cases}$$

تعریف شده باشد، احتمال اینکه X بین چارک اول و میانه باشد، کدام است؟

- (۱) صفر (۲) $\frac{1}{2}$ (۳) $\frac{3}{8}$ (۴) $\frac{1}{4}$

۵۵- اگر X_1, X_2, X_3, X_4 متغیرهای تصادفی مستقل از توزیع نرمال با میانگین 10 و واریانس $\frac{4}{15}$ باشند، آنگاه

$$P\left(\frac{3X_1 + X_2 - 7}{X_3 + 2X_4} > 1\right), \text{ چقدر است؟ (فرض کنید } \phi \text{ تابع تجمعی نرمال باشد.)}$$

- (۱) $\phi(1/5)$ (۲) $\phi(-1/5)$
(۳) $\phi\left(-3\frac{\sqrt{3}}{2}\right)$ (۴) $\phi\left(3\frac{\sqrt{3}}{2}\right)$

۵۶- طول عمر لاستیک‌های یک کارخانه به‌طور میانگین 1500 روز است. طول عمر لاستیکی از این نوع که 1000 روز کار کرده چقدر احتمال دارد حداقل به 5500 روز برسد؟

- (۱) $1 - e^{-3}$ (۲) $e^{-\frac{11}{3}}$
(۳) e^{-3} (۴) $1 - e^{-\frac{11}{3}}$

۵۷- نمونه تصادفی X_1, \dots, X_{10} را به‌طور مستقل از توزیع برنولی با پارامتر P انتخاب می‌کنیم. اگر $\sum_{i=1}^{10} X_i > 9$

آنگاه فرض $H_0: P = \frac{1}{3}$ را در مقابل $H_1: P = \frac{3}{4}$ رد می‌کنیم. توان آزمون چقدر است؟

- (۱) $1 - \left(\frac{1}{3}\right)^{10}$ (۲) $1 - \left(\frac{3}{4}\right)^{10}$
(۳) $\left(\frac{3}{4}\right)^{10}$ (۴) $\left(\frac{1}{3}\right)^{10}$

۵۸- یک نمونه تصادفی ۲۰ تایی از یک جامد نرمال با انحراف معیار ۲ منجر به مقادیر نمونه‌ای $\bar{X} = 1$ و $S^2 = 16$ شده

است. در آزمون فرض $\begin{cases} H_0: \mu = 12 \\ H_0: \mu < 12 \end{cases}$ مقدار آماره آزمون چقدر است؟

- (۱) $\sqrt{5}$
 (۲) $\frac{\sqrt{5}}{2}$
 (۳) $-\frac{\sqrt{5}}{2}$
 (۴) $-\sqrt{5}$

۵۹- در مورد میزان همبستگی بین $Z = 3X + 4$ و $W = 4Y - 3$ با شرط $3X + 4Y = 1$ چه می‌توان گفت؟

- (۱) شدت همبستگی کم در یک جهت است.
 (۲) شدت همبستگی زیاد در یک جهت است.
 (۳) شدت همبستگی کم و در دو جهت مختلف است.
 (۴) شدت همبستگی زیاد و در دو جهت مختلف است.

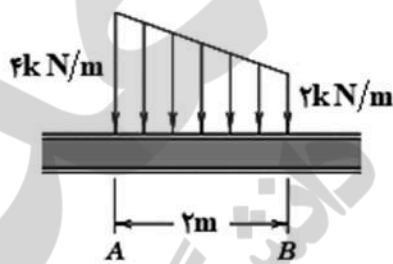
۶۰- در یک مدل رگرسیون خطی ساده $y = \alpha + \beta x + 4$ براساس یک نمونه تصادفی ۱۰ تایی اطلاعات زیر حاصل شده

است. برآورد (α, β) با روش حداقل مربعات خطا در کدام است؟

- $\sum_{i=1}^{10} x_i = 30$ $\sum_{i=1}^{10} x_i^2 = 97$ $\sum_{i=1}^{10} x_i y_i = 154$ $\sum_{i=1}^{10} y_i = 25$ $\sum_{i=1}^{10} y_i^2 = 83.5$
- (۱) $(1.5, -2)$
 (۲) $(-2, 1.5)$
 (۳) $(-0.5, 1)$
 (۴) $(1, -0.5)$

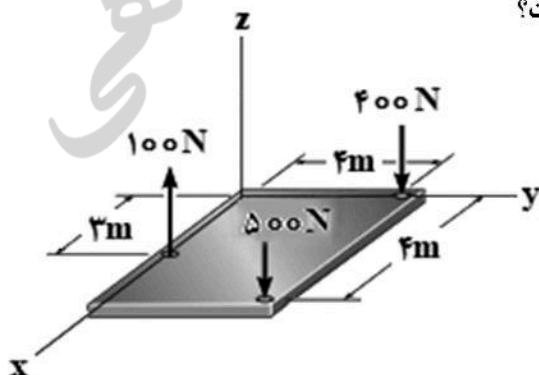
آستاتیک:

۶۱- چنانچه مقدار نیروی برشی در نقطه A برابر ۳ kN و مقدار لنگر خمشی در نقطه A برابر 16 kN-m باشد، مقدار لنگر خمشی در نقطه B چند کیلو نیوتن متر (kN-m) کدام است؟



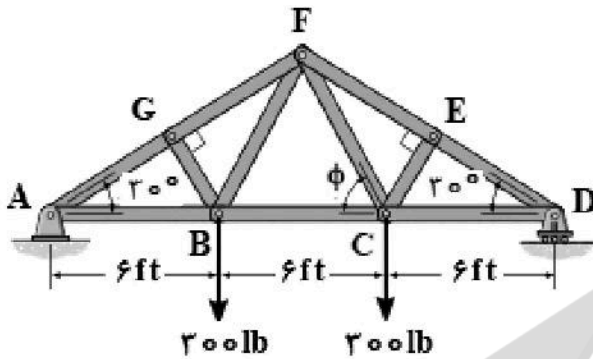
- (۱) $\frac{5}{3}$
 (۲) $\frac{10}{3}$
 (۳) $\frac{16}{3}$
 (۴) $\frac{20}{3}$

۶۲- مختصات محل اثر برایندها برحسب متر (m) کدام است؟



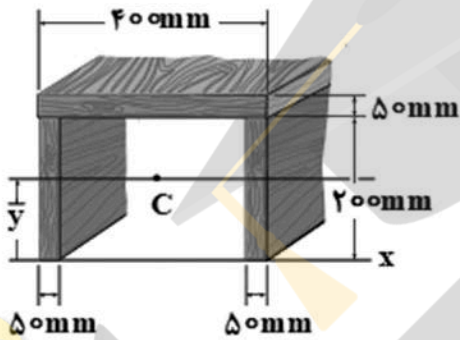
- (۱) $x = 2.125$ $y = 4.5$
 (۲) $x = 2.25$ $y = 4.5$
 (۳) $x = 4.5$ $y = 2.125$
 (۴) $x = 4.5$ $y = 2.25$

۶۳- مقدار و نوع نیرو در عضو GF چند پوند (lb) است؟



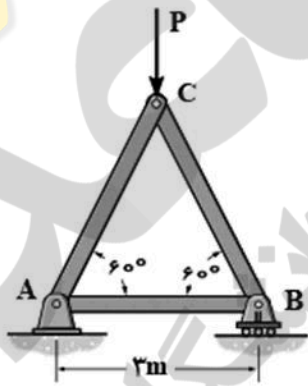
- (۱) فشاری ۳۰۰
- (۲) کششی ۳۰۰
- (۳) فشاری ۶۰۰
- (۴) کششی ۶۰۰

۶۴- فاصله مرکز سطح (\bar{y}) از محور Xها بر حسب میلی متر (mm) کدام است؟



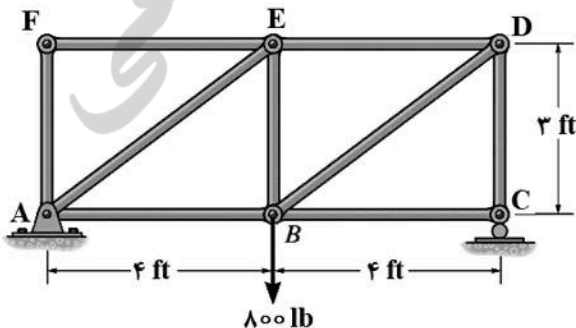
- (۱) ۱۲۶/۵
- (۲) ۱۵۰
- (۳) ۱۶۲/۵
- (۴) ۱۷۵

۶۵- حداکثر نیروی P بر حسب کیلو نیوتن (kN) که می توان بر خرپای نشان داده شده وارد کرد، بطوری که نیروی کششی در هیچ یک از اعضای خرپا از ۳ kN و نیروی فشاری در هیچ یک از اعضای خرپا از ۲ kN بیشتر نشود، کدام است؟



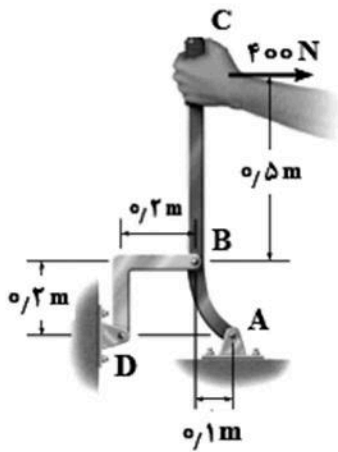
- (۱) $6\sqrt{3}$
- (۲) $4\sqrt{3}$
- (۳) $3\sqrt{3}$
- (۴) $2\sqrt{3}$

۶۶- اعضای صفر نیرویی در خرپای نشان داده شده کدام است؟



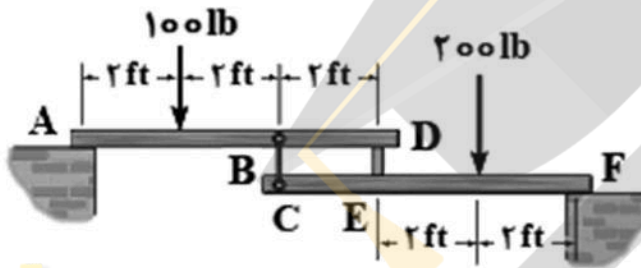
- (۱) CD , BE , AF
- (۲) BC , EF , AF
- (۳) BE , EF , AF
- (۴) BC , ED , EF

۶۷- عکس العمل تکیه گاه D چند نیوتن (N) است؟



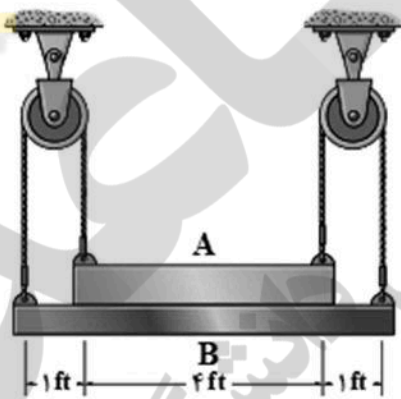
- (۱) $\frac{2800\sqrt{2}}{3}$
- (۲) $\frac{2800\sqrt{3}}{3}$
- (۳) $\frac{5600\sqrt{2}}{3}$
- (۴) $\frac{5600\sqrt{3}}{3}$

۶۸- تیرهای CF و AD با قطعات BC و DE بهم متصل شده و دو سر آنها بر روی تکیه گاه های صاف A و F قرار گرفته اند. مقدار نیرو در عضو BC چند پوند (lb) است؟



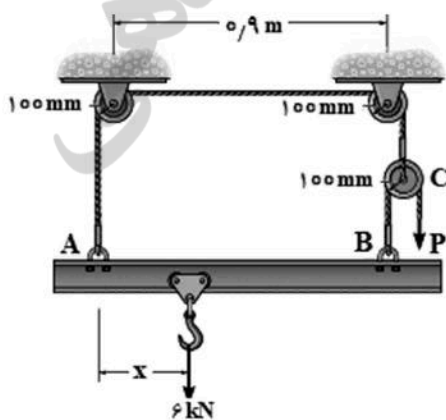
- (۱) ۱۸۰
- (۲) ۱۶۰
- (۳) ۱۴۰
- (۴) ۱۲۰

۶۹- چنانچه قطعه A به وزن ۵۰۰ lb و قطعه B به وزن ۲۰۰ lb باشد، نیروی کشش در طناب چند پوند (lb) است؟



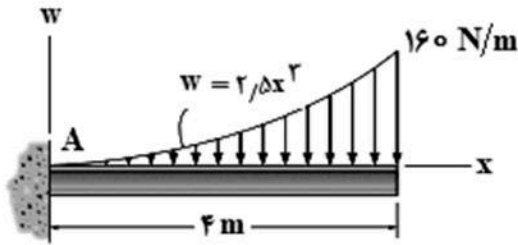
- (۱) ۱۰۰
- (۲) ۱۲۵
- (۳) ۱۵۰
- (۴) ۱۷۵

۷۰- فاصله X چند متر باشد تا تعادل تیر برقرار باشد؟ (از وزن تیر صرف نظر کنید).



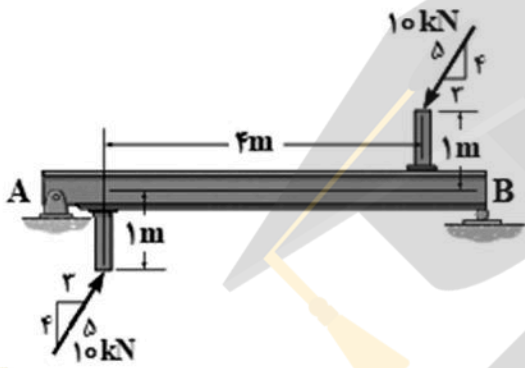
- (۱) ۰٫۶۷
- (۲) ۰٫۵
- (۳) ۰٫۳۳
- (۴) ۰٫۲۵

۷۱- مقدار لنگر در تکیه‌گاه A بر حسب نیوتن متر (N-m) کدام است؟



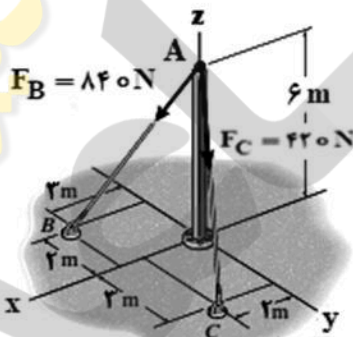
- (۱) ۲۱۵
- (۲) ۲۵۱
- (۳) ۵۱۲
- (۴) ۵۲۱

۷۲- در صورتی که طول تیر متقارن AB (از لحاظ ابعادی) برابر ۶ متر باشد، مقدار و جهت عکس‌العمل تکیه‌گاه A بر حسب کیلو نیوتن (kN) کدام است؟



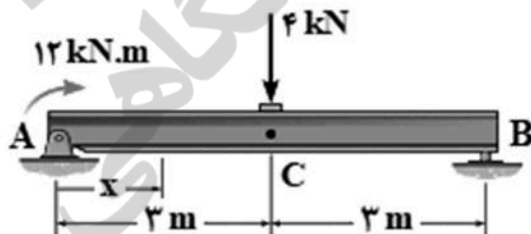
- (۱) $\frac{10}{3} \downarrow$
- (۲) $\frac{10}{3} \uparrow$
- (۳) $\frac{13}{3} \downarrow$
- (۴) $\frac{13}{3} \uparrow$

۷۳- بردار نیروی برآیند (F_R) بر حسب نیوتن (N) کدام است؟



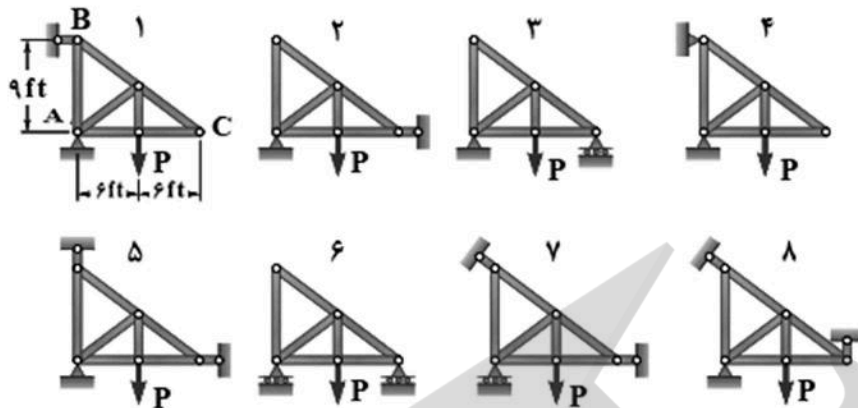
- (۱) $60(4\bar{i} - 7\bar{j} - 6\bar{k})$
- (۲) $60(2\bar{i} + 3\bar{j} - 6\bar{k})$
- (۳) $60(6\bar{i} - 4\bar{j} - 12\bar{k})$
- (۴) $60(8\bar{i} - \bar{j} - 18\bar{k})$

۷۴- معادله لنگر خمشی در فاصله AC ($0 \leq x \leq 3m$) و فاصله CB ($3m \leq x \leq 6m$) کیلونیوتن متر (kN-m) کدام است؟



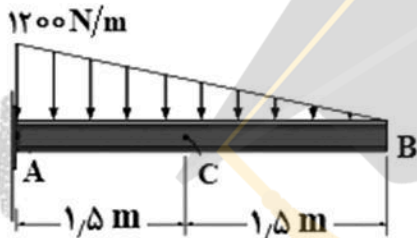
- (۱) $M_{CB} = 24 - 4x$, $M_{AC} = 6$
- (۲) $M_{CB} = 24 + 4x$, $M_{AC} = 6x$
- (۳) $M_{CB} = 24 + 4x^2$, $M_{AC} = 12x$
- (۴) $M_{CB} = 24 - 4x$, $M_{AC} = 12$

۷۵- کدام یک از خرپاهای نشان داده شده پایدار و معین هستند؟



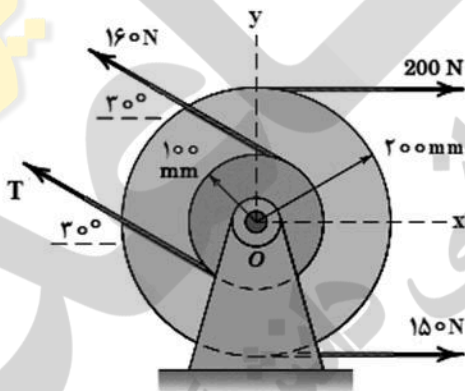
- (۱) ۷، ۳، ۱
- (۲) ۸، ۶، ۴، ۲
- (۳) ۸، ۷، ۲
- (۴) ۶، ۴، ۳، ۱

۷۶- مقدار نیروی برشی V بر حسب نیوتن (N) و لنگر خمشی M بر حسب نیوتن متر (N-m) در نقطه C کدام است؟



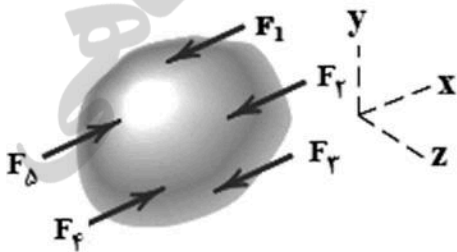
- (۱) $M = 450$, $V = 450$
- (۲) $M = 225$, $V = 450$
- (۳) $M = 225$, $V = 225$
- (۴) $M = 125$, $V = 225$

۷۷- چنانچه گشتاور نیروهای نشان داده شده حول نقطه O برابر صفر باشد، نیروی T چند نیوتن (N) است؟



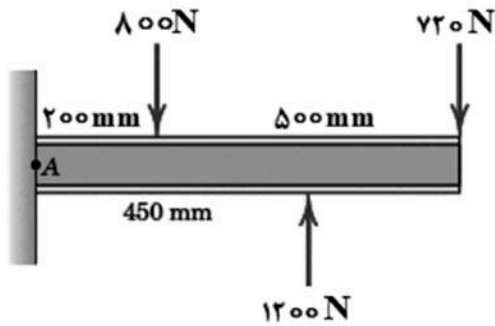
- (۱) ۶۰
- (۲) ۱۶۰
- (۳) ۲۶۰
- (۴) ۳۶۰

۷۸- معادلات تعادل نیروهای فضایی موازی با محور Xها، کدام است؟



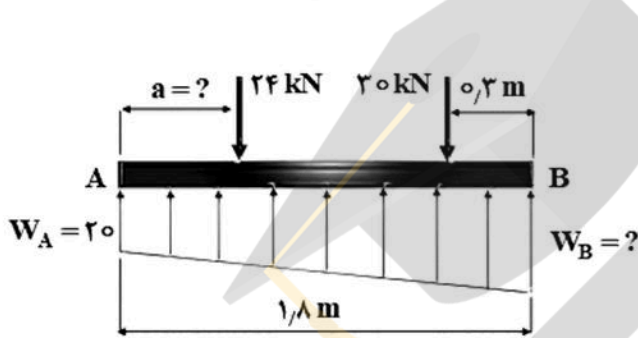
- (۱) $\Sigma F_x = \Sigma F_y = \Sigma F_z = 0$
- (۲) $\Sigma F_x = \Sigma M_y = \Sigma M_z = 0$
- (۳) $\Sigma F_y = \Sigma F_z = \Sigma M_x = 0$
- (۴) $\Sigma F_y = \Sigma M_x = \Sigma M_z = 0$

۷۹- محل اثر لنگر خمشی ماکزیمم در تیر زیر کدام است؟



- (۱) در محل اثر بار 720 N
- (۲) در محل اثر بار 800 N
- (۳) در محل اثر بار 1200 N
- (۴) در محل تکیه‌گاه ثابت A

۸۰- برای تعادل قطعه AB تحت بارهای نشان داده‌شده، مقادیر شدت بار در نقطه B (W_B) بر حسب کیلو نیوتن بر متر



($\frac{\text{kN}}{\text{m}}$) و فاصله a بر حسب متر (m) کدام است؟

- (۱) $a = 0.257, W_B = 20$
- (۲) $a = 0.375, W_B = 20$
- (۳) $a = 0.357, W_B = 40$
- (۴) $a = 0.375, W_B = 40$

مهندسی آب و فاضلاب:

۸۱- در شهری با سرانه BOD به میزان $50 \frac{\text{g}}{\text{capita.d}}$ ، جمعیت معادل فاضلاب یک کارخانه مواد غذایی با دبی $1000 \frac{\text{m}^3}{\text{d}}$ و

غلظت BOD به میزان $500 \frac{\text{mg}}{\text{L}}$ چند هزار نفر است؟

- (۱) ۵
- (۲) ۱۰
- (۳) ۱۵
- (۴) ۲۰

۸۲- مهم‌ترین عوامل مؤثر بر ضریب هوادهی مجدد (k_p) در رودخانه‌ها کدامند؟

- (۱) سرعت جریان و عمق جریان
- (۲) سرعت جریان و مساحت سطح رودخانه
- (۳) دمای آب و مساحت سطح رودخانه
- (۴) عمق جریان و مساحت سطح رودخانه

۸۳- کدام مورد مزیت راکتور جریان قالبی نسبت به راکتور اختلاط کامل در تصفیه آب و فاضلاب است؟

- (۱) زمان ماند بیشتر
- (۲) بهره‌برداری آسان‌تر
- (۳) سرعت بالاتر فرایند
- (۴) قابلیت پذیرش شوک‌های هیدرولیکی

۸۴- در یک فرایند لجن فعال با دبی $100,000 \frac{\text{m}^3}{\text{d}}$ و زمان ماند هیدرولیکی ۹.۶ ساعت، غلظت MLSS و جامدات

در لجن دفعی به ترتیب ۳۰۰۰ و ۱۲۰۰۰ میلی‌گرم بر لیتر و دبی لجن دفعی $1000 \frac{\text{m}^3}{\text{d}}$ است. زمان ماند میکروبی

در این فرایند چند روز است؟

- (۱) ۱۰
- (۲) ۱۵
- (۳) ۲۰
- (۴) ۲۵

- ۸۵- غلظت آرسنیک در آب آشامیدنی برای رعایت ریسک سرطان‌زایی 10^{-5} ، چند میکروگرم بر لیتر است؟
(فاکتور شیب آرسنیک از مسیر گوارشی $(\frac{mg}{kg.d})^{-1}$ ۱٫۵ است.)
- (۱) ۲۰۰ (۲) ۲۰
(۳) ۲ (۴) ۰٫۲
- ۸۶- کدام خصوصیات آب بر کارایی گندزایی آب با کلر تأثیر بیشتری دارند؟
(۱) pH و دما (۲) دما و سختی (۳) کدورت و pH (۴) سختی و املاح
- ۸۷- کدام مورد در خصوص معادله مانینگ درست است؟
(۱) جهت محاسبه افت فشار در کانال‌های ثقلی استفاده می‌شود.
(۲) جهت محاسبه سرعت و جریان در کانال‌های ثقلی استفاده می‌شود.
(۳) جهت محاسبه سرعت و جریان در لوله‌های تحت فشار استفاده می‌شود.
(۴) جهت محاسبه افت موضعی در لوله‌های تحت فشار استفاده می‌شود.
- ۸۸- چنانچه سرانه BOD_5 برای فاضلاب شهری، ۵۰ گرم به‌ازای هر نفر در شبانه‌روز باشد، غلظت BOD_5 آن فاضلاب بر حسب گرم بر مترمکعب کدام است؟ (سرانه فاضلاب را ۲۵۰ لیتر به‌ازای هر نفر فرض نمایید.)
(۱) ۶۰ (۲) ۵۰
(۳) ۲۰۰ (۴) ۲۵۰
- ۸۹- کدام مورد در زمینه آدم‌روهای شبکه جمع‌آوری فاضلاب درست است؟
(۱) در شبکه‌های با جنس بتنی صرفاً تعبیه می‌شوند. (۲) در مسیرهای مستقیم قابل حذف هستند.
(۳) تنها در محل تغییر شیب تعبیه می‌شوند. (۴) در خطوط ثقلی انتقال فاضلاب به‌کار می‌روند.
- ۹۰- کدام مورد از ویژگی‌های فرابند پس‌آنوکسیک به‌شمار می‌رود؟
(۱) نیاز داشتن به منبع کربن خارجی (۲) زمان ماند کم برای حذف نیتروژن
(۳) حذف کامل همه ترکیبات نیتروژن (۴) مصرف قابل توجه به قلیائیت فاضلاب
- ۹۱- از کدام روش می‌توان برای حذف پیش‌ساز THMs از آب استفاده کرد؟
(۱) تعویض یون (۲) انعقاد تشدید یافته
(۳) فیلتراسیون عمقی (۴) جذب سطحی با آلومینای فعال
- ۹۲- انتقال بیماری اسهال آمیبی از مصرف آب در کدام دسته از بیماری‌های مرتبط با آب قرار می‌گیرد؟
(۱) Water-related insect vector diseases (۲) Water based diseases
(۳) Water washed diseases (۴) Water borne diseases
- ۹۳- چنانچه دو عدد حوض ته‌نشینی برای حذف ذرات آبی با دبی ۲۴۰۰۰ مترمکعب در شبانه‌روز، در نظر گرفته شود، با فرض بارگذاری سطحی ۲ متر بر ساعت و عمق ۳ متر، زمان ماند هر حوض چند ساعت است؟
(۱) ۱ (۲) ۱٫۲۵
(۳) ۱٫۵ (۴) ۲
- ۹۴- در طراحی فیلترهای چکنده در تصفیه فاضلاب عبارت $\frac{Q_0 + R}{A}$ بیانگر کدام است؟
(۱) بار آلی سیستم (۲) بار هیدرولیکی سیستم
(۳) نسبت برگشت لجن (۴) راندمان سیستم

- ۹۵- فرایندهای مناسب برای حذف نیترات کدامند؟
 (۱) اسمز معکوس - دنیتریفکاسیون - تبادل یون
 (۲) نانو فیلتر - دنیتریفکاسیون - کلرزنی
 (۳) کربن فعال - ازن‌زنی - تبادل یون
 (۴) نانو فیلتراسیون - اکسیداسیون پیشرفته - تبادل یون
- ۹۶- کدام مورد مزایای فرایند لجن فعال هوادهی گسترده را ارائه می‌دهد؟
 (۱) پایین بودن لجن برگشتی و عدم نیاز به حوضچه ته‌نشینی اولیه
 (۲) بالابودن بارگذاری آلی و کیفیت بالای پساب
 (۳) پایین بودن زمان ماند و کیفیت بالای پساب
 (۴) تولید لجن کم و عدم نیاز به حوضچه ته‌نشینی اولیه
- ۹۷- در یک لوله آبرسانی با شیب هیدرولیکی ۲ درصد، قطر ۲۰۰ mm و ضریب اصطکاک ۰٫۰۲، سرعت جریان آب چند متر بر ثانیه است؟
 (۱) ۰٫۱
 (۲) ۰٫۵
 (۳) ۱
 (۴) ۲
- ۹۸- مهم‌ترین عوامل مؤثر بر حجم متعادل‌سازی مخزن آب پاک کدامند؟
 (۱) نوع شبکه توزیع، فرسودگی شبکه توزیع، جمعیت
 (۲) جمعیت، سرانه مصرف آب، ضریب پیک روزانه
 (۳) ضریب پیک روزانه، ضریب پیک ساعتی، احتمال قطع برق
 (۴) محل احداث تصفیه‌خانه، طول خط انتقال، ضریب پیک روزانه
- ۹۹- کدام مورد جزء ویژگی‌های یک میکروارگانیزم شاخص ایدئال آلودگی مدفوعی آب است؟
 (۱) زمان بقای کمتر نسبت به پاتوژن‌ها داشته باشد.
 (۲) در محیط‌های طبیعی دیگر نیز حضور داشته باشد.
 (۳) در مدفوع به تعداد بیشتری نسبت به پاتوژن‌ها وجود داشته باشد.
 (۴) حساسیت مساوی یا بیشتر از پاتوژن‌ها نسبت به گندزدایی داشته باشد.
- ۱۰۰- مبنای مقادیر رهنمودی رادیواکتیویته آب آشامیدنی، چه میزان دوز مرجع است؟
 (۱) ۰٫۱ mSv دوز مؤثر دریافتی در سال
 (۲) ۱٫۰ mSv دوز مؤثر دریافتی در سال
 (۳) غلظت ۲۲۶ - Ra به میزان $10 \frac{Bq}{L}$
 (۴) غلظت ۲۲۲ - Rn به میزان $10 \frac{Bq}{L}$
- ۱۰۱- میزان کلر مورد نیاز هفتگی تصفیه‌خانه‌ای با ظرفیت ۱۰۰۰ مترمکعب بر روز و دوز کلر مصرفی مورد نیاز ۸ میلی‌گرم بر لیتر و کلر باقیمانده مطلوب ۱ میلی‌گرم در لیتر چند کیلوگرم است؟
 (۱) ۸
 (۲) ۹
 (۳) ۵۶
 (۴) ۶۳
- ۱۰۲- در یک کانال روباز با عمق جریان و عرض ۱ متر، طول ۱۰۰ متر، رقوم ارتفاعی ابتدا و انتها به ترتیب ۱۰۰۰ و ۹۹۹ متر و ضریب مانینگ ۰٫۰۱۶، سرعت جریان چند متر بر ثانیه است؟
 (۱) ۱
 (۲) ۲
 (۳) ۳
 (۴) ۴
- ۱۰۳- کدام یک از شاخص‌های زیر بیانگر تراکم مواد جامد در لجن برگشتی است؟
 (۱) SDI
 (۲) SVI
 (۳) SRT
 (۴) HRT

- ۱۰۴- کدام گزینه آلاینده‌های اصلی فاضلاب شهری را ارائه می‌دهد؟
 (۱) نیترات، نیتريت، فلزات سنگین، میکروارگانیزم‌های بیماری‌زا
 (۲) TOC, COD, BOD، میکروارگانیزم‌های بیماری‌زا
 (۳) جامدات معلق، مواد آلی محلول، مواد مغذی، میکروارگانیزم‌های بیماری‌زا
 (۴) سورفاکتانت، فلزات سنگین، املاح معدنی، میکروارگانیزم‌های بیماری‌زا
- ۱۰۵- در یک حوضه بارندگی با مساحت ۱۰۰,۰۰۰ مترمربع و ضریب رواناب ۰,۳۵، در صورتی که زمان تمرکز برابر ۱۵ دقیقه و شدت بارندگی ۰,۱۱۶ میلی‌متر بر ساعت باشد، حداکثر دبی رواناب تولیدی حدود چند لیتر بر ثانیه است؟
- | | |
|----------|-----------|
| (۱) ۱ | (۲) ۱۶ |
| (۳) ۴۰۰۰ | (۴) ۶۰۰۰۰ |

مهندسی محیط‌زیست:

- ۱۰۶- در چه فصلی از سال در دریاچه‌ها لایه‌بندی حرارتی شکل می‌گیرد؟
 (۱) پاییز و بهار (۲) بهار و تابستان (۳) تابستان و زمستان (۴) پاییز و زمستان
- ۱۰۷- کدام مورد در رابطه با جذب‌های صوتی درست است؟
 (۱) با کاهش تخلخل، ضریب جذب افزایش می‌یابد.
 (۲) با کاهش چگالی، ضریب جذب افزایش می‌یابد.
 (۳) با کاهش ضخامت، ضریب جذب افزایش می‌یابد.
 (۴) ضریب جذب در فرکانس‌های مختلف، یکسان است.
- ۱۰۸- به منظور پیاده‌سازی استاندارد سیستم مدیریت محیط‌زیستی، شناسایی جنبه‌های محیط‌زیستی در چه مرحله‌ای صورت می‌گیرد؟
 (۱) طرح‌ریزی (۲) تعیین خط‌مشی (۳) اجرا و عملیات (۴) بازنگری مدیریت
- ۱۰۹- کدام مورد درجه حاصلخیزی دریاچه‌ها از کم به زیاد را بیان می‌کند؟
 (۱) اوتروفیک، مزوتروفیک، الیگوتروفیک
 (۲) اوتروفیک، الیگوتروفیک، مزوتروفیک
 (۳) مزوتروفیک، اوتروفیک، الیگوتروفیک
 (۴) الیگوتروفیک، مزوتروفیک، اوتروفیک
- ۱۱۰- پیش‌سازهای مهم جهت تولید ازن در هوا کدامند؟
 (۱) SOX و CO (۲) SOX و VOC_s
 (۳) NOX و VOC_s (۴) NOX و CO
- ۱۱۱- کدام عامل در تعیین مقدار خیز دود ستون مؤثر نیست؟
 (۱) سرعت باد منطقه (۲) توپوگرافی اطراف (۳) قطر دهانه دودکش (۴) دمای گاز خروجی
- ۱۱۲- براساس اندازه‌گیری آلاینده‌های شهری، شاخص AQI معادل ۲۱۰ به دست آمده است. بر این اساس وضعیت آلودگی هوای این شهر کدام است؟
 (۱) خیلی ناسالم (۲) ناسالم
 (۳) خطرناک (۴) ناسالم برای گروه‌های حساس
- ۱۱۳- از میان اقدامات مدیریت پسماند، کدام یک از اولویت بیشتری برخوردار است؟
 (۱) سوزاندن (۲) کمپوست (۳) بازیافت (۴) کاهش
- ۱۱۴- مهم‌ترین گازهای تولید شده در مرکز دفن پسماند کدامند؟
 (۱) ازت - متان (۲) ازت - سولفید هیدروژن
 (۳) دی‌اکسید کربن - سولفید هیدروژن (۴) دی‌اکسید کربن - متان

۱۱۵- دبی فاضلاب بیمارستانی ۱۰۰۰ مترمکعب بر روز و COD آن ۵۰۰ گرم بر مترمکعب است. در صورت تخلیه این فاضلاب به رودخانه‌ای با دبی ۱۰۰۰۰ مترمکعب بر روز، غلظت COD آب رودخانه پس از اختلاط، کدام است؟ (COD رودخانه، قبل از اختلاط ۱۰ گرم بر مترمکعب است.)

- (۱) ۵۵/۵
(۲) ۵۴/۵
(۳) ۵۰/۵
(۴) ۴۵/۵

۱۱۶- مطابق کنوانسیون بازل، کدام جمله در مورد حمل و نقل بین‌المللی پسماند خطرناک درست است؟

- (۱) ممنوع است.
(۲) در مورد پسماند رادیواکتیو ممنوع است.
(۳) فقط به مقصد کشورهای غیرعضو مجاز است.
(۴) منوط به کسب مجوز از سازمان حفاظت محیط‌زیست است.
- ۱۱۷- نسبت حدود بالا و پایین فرکانس مرکزی برای آنالیز یک سوم باند چند برابر این نسبت برای آنالیز یک ششم باند است؟

- (۱) $\frac{1}{26}$
(۲) $\frac{1}{23}$
(۳) $\frac{1}{22}$
(۴) $\frac{1}{26}$

۱۱۸- کدام مورد عناوین فهرست‌های پسماند خطرناک را ارائه می‌دهد؟

- (۱) A, B, C, D, E
(۲) D, U, L, K, F
(۳) P, K, F, D, U
(۴) P, O, N, M, L

۱۱۹- بررسی ذرات منتشر شده از یک کارخانه، نشان می‌دهد که قطر این ذرات ۱۵ تا ۲۵ میکرون است. به نظر شما کدام روش برای حذف این ذرات مناسب است؟

- (۱) اتافک ته‌نشین
(۲) سیکلون
(۳) کربن فعال
(۴) بیوفیلتر
- ۱۲۰- حداقل کارایی حذف تخریبی قابل قبول هر آلاینده آلی در زباله‌سوز پسماند خطرناک چند درصد است؟
- (۱) ۹۰
(۲) ۹۹
(۳) ۹۹/۹
(۴) ۹۹/۹۹

۱۲۱- تفاوت اصلی میان محل دفن پسماند خطرناک و محل دفن پسماند عادی چیست؟

- (۱) ملاحظات ویژه کنترل شیرابه
(۲) ملاحظات ویژه کنترل گاز
(۳) ملاحظات ویژه پایش منابع آب
(۴) ملاحظات ویژه پایش کیفیت هوا

۱۲۲- کمپوست جزء کدام یک از راهبردهای مدیریت پسماند است؟

- (۱) Reduce
(۲) Reuse
(۳) Recovery
(۴) Recycle

۱۲۳- نیمه عمر فیزیکی یک ماده رادیواکتیو در بدن انسان ۲۰ روز و نیمه عمر مؤثر آن ۴ روز است، نیمه عمر بیولوژیکی این ماده چند روز است؟

- (۱) ۲
(۲) ۵
(۳) ۱۰
(۴) ۱۶

۱۲۴- نخاله‌های ساختمانی جزء کدام نوع پسماندها هستند؟

- (۱) خطرناک
(۲) صنعتی
(۳) عادی
(۴) ویژه

۱۲۵- کدام وارونگی در حوادث کوتاه‌مدت آلودگی هوا نقش دارد؟

- (۱) تشعشی
(۲) فروکشی
(۳) جبهه‌ای
(۴) دره‌ای

۱۲۶- عدد CFC مربوط به آلاینده C_2F_5Cl کدام است؟

- (۱) ۱۱۴
(۲) ۱۱۵
(۳) ۲۱۵
(۴) ۲۵۱

۱۲۷- ترتیب قرارگیری چهارلایه از اتمسفر نسبت به سطح زمین کدام است؟

- (۱) تروپوسفر - استراتوسفر - مزوسفر - ترموسفر
 (۲) تروپوسفر - استراتوسفر - ترموسفر - مزوسفر
 (۳) استراتوسفر - تروپوسفر - ترموسفر - مزوسفر
 (۴) استراتوسفر - ترموسفر - تروپوسفر - مزوسفر

۱۲۸- متداول‌ترین روش‌های تبدیل شیمیایی و بیولوژیکی مواد در مدیریت پسماند به ترتیب کدامند؟

- (۱) پیرولیز و بیوگاز
 (۲) اتوکلاو و کمپوست
 (۳) زباله‌سوزی و کمپوست
 (۴) زباله‌سوزی و بیوگاز

۱۲۹- کدام یک جزء آلاینده‌های ثانویه هوا است؟

- (۱) CO (۲) NO_x (۳) SO_x (۴) O₃

۱۳۰- حد مجاز میانگین دوز مؤثر سالیانه پنج سال متوالی برای مواجهه شغلی با پرتوهای یون‌ساز چند mSv است؟

- (۱) ۱ (۲) ۶ (۳) ۲۰ (۴) ۵۰

نیوز

دانشگاه

دانشگاهی

دانشگاه اخبیار و اطلاع رسانی

