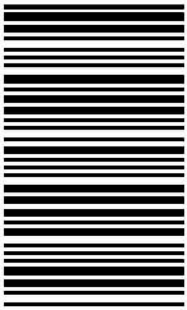


کد کنترل

431

E



431E

## آزمون ورودی دوره‌های کارشناسی ارشد ناپیوسته داخل - سال ۱۴۰۱

صبح چهارشنبه

۱۴۰۱/۰۲/۲۸



جمهوری اسلامی ایران  
وزارت علوم، تحقیقات و فناوری  
سازمان سنجش آموزش کشور

«اگر دانشگاه اصلاح شود مملکت اصلاح می‌شود.»  
امام خمینی (ره)

### مهندسی معماری گشتی (کد ۱۲۵۶)

زمان پاسخ‌گویی: ۱۵۰ دقیقه

تعداد سؤال: ۱۲۰

جدول مواد امتحانی، تعداد و شماره سؤال‌ها

ردیف	مواد امتحانی	تعداد سؤال	از شماره	تا شماره
۱	زبان عمومی و تخصصی (انگلیسی)	۳۰	۱	۳۰
۲	ریاضیات (ریاضی عمومی (۲و۱)، معادلات دیفرانسیل، ریاضی مهندسی)	۱۵	۳۱	۴۵
۳	مکانیک سیالات	۱۵	۴۶	۶۰
۴	مکانیک جامدات (استاتیک، مقاومت مصالح و تحلیل سازه‌ها)	۱۵	۶۱	۷۵
۵	آرشیتمت گشتی (هیدرواستاتیک)	۱۵	۷۶	۹۰
۶	آرشیتمت گشتی (هیدرودینامیک)	۱۵	۹۱	۱۰۵
۷	ساختمان گشتی	۱۵	۱۰۶	۱۲۰

این آزمون نمره منفی دارد.

استفاده از ماشین حساب مجاز نیست.

\* متقاضی گرامی، وارد نکردن مشخصات و امضا در کادر زیر، به منزله غیبت و حضور نداشتن در جلسه آزمون است.

اینجانب ..... با شماره داوطلبی ..... با آگاهی کامل، یکسان بودن شماره سندلی خود را با شماره داوطلبی مندرج در بالای کارت ورود به جلسه، بالای پاسخنامه و دفترچه سؤالها، نوع و کد کنترل درج شده بر روی دفترچه سؤالها و پایین پاسخنامه را تأیید می‌نمایم.

امضا:

زبان عمومی و تخصصی (انگلیسی):

### PART A: Vocabulary

**Directions:** Choose the word or phrase (1), (2), (3), or (4) that best completes each sentence. Then mark the answer on your answer sheet.

- 1- Growing older and more decrepit appeared to be an ----- and necessary part of being human.  
1) inevitable      2) intangible      3) unforeseeable      4) unsentimental
- 2- I don't really think I'd have the ----- to finish a marathon!  
1) concern      2) candor      3) endurance      4) autonomy
- 3- Her marriage started to improve once her husband finally ----- he had an anger problem and began to take counseling.  
1) identified      2) emerged      3) hesitated      4) acknowledged
- 4- Society is an interdependent system that ----- widespread cooperation to function.  
1) proceeds      2) requires      3) fascinates      4) conveys
- 5- Our blue planet is a ----- . Life depends on water, yet in its natural form, the water in the oceans will not sustain us because we cannot drink salt water.  
1) refuge      2) remedy      3) paradox      4) vacillation
- 6- I thought I was buying a/an ----- native Indian carving, but discovered later that it was machine-made.  
1) genuine      2) definitive      3) secretive      4) artificial
- 7- The entrepreneur had a well-deserved reputation for -----, having accurately anticipated many changes unforeseen by established business leaders.  
1) modesty      2) hindsight      3) prescience      4) extroversion
- 8- Studies of longevity among turtles are sometimes ----- by the fact that the subjects live so long that researchers retire before the studies can be completed.  
1) stabilized      2) hampered      3) diversified      4) verified
- 9- Kevlar is a ----- new material which is used for everything from airplane wings, to bullet-proof vests, to hockey sticks.  
1) prescriptive      2) versatile      3) dormant      4) derivative
- 10- If exploitation of the planet's resources continues as at present, then the lifestyle we currently enjoy ----- the risk of causing significant damage to the world.  
1) proposes      2) puts      3) shapes      4) runs



**PART B: Cloze Test**

**Directions:** Read the following passage and decide which choice (1), (2), (3), or (4) best fits each space. Then mark the correct choice on your answer sheet.

Scientists and philosophers have been grappling with the relationship between language and thought for centuries. There have always been (11) ----- that our picture of the Universe depends on our native tongue. Since the 1960s, however, (12) ----- the ascent of thinkers like Noam Chomsky, and a host of cognitive scientists, (13) ----- that linguistic differences don't really matter, (14) ----- language is a universal human trait, and that our ability to talk to one another owes more to our shared genetics (15) ----- . But now the pendulum is beginning to swing the other way as psychologists re-examine the question.

- |     |                                |                                 |         |         |
|-----|--------------------------------|---------------------------------|---------|---------|
| 11- | 1) that they argue             | 2) those who argue              |         |         |
|     | 3) an argument by those        | 4) arguing those who            |         |         |
| 12- | 1) with                        | 2) for                          | 3) by   | 4) in   |
| 13- | 1) whose consensus             | 2) who has the consensus        |         |         |
|     | 3) the consensus has been      | 4) is the consensus             |         |         |
| 14- | 1) a                           | 2) the                          | 3) what | 4) that |
| 15- | 1) and our cultures vary       | 2) than to our varying cultures |         |         |
|     | 3) than our cultures that vary | 4) as to our varying cultures   |         |         |

**PART C: Reading Comprehension**

**Directions:** Read the following three passages and answer the questions by choosing the best choice (1), (2), (3), or (4). Then mark the correct choice on your answer sheet.

**PASSAGE 1:**

As well as the effect of the environment on the ship, it is important to consider the effect of the ship on the environment. Over the years the pollution of the world's oceans has become a cause for increasing international concern. In 1972 the United Nations held a Conference on the Human Environment. This conference recommended that ocean dumping anywhere should be controlled. One outcome was the Convention on the Prevention of Marine Pollution by Dumping of Wastes and Other Matter. This convention covers dumping from any source and it must be remembered that wastes dumped from ships amount to only about 10 per cent of the pollutants that enter the sea annually. The convention bans the dumping of some materials and limits others. It also controls the location and method of disposal.

In terms of quantity, oil is the most important pollutant arising from shipping operations. The harmful effects of large oil spillages have received wide publicity because the results are so concentrated if the spillage is close to the coast. Most incidents occur during the loading or discharge of oil at a terminal but far greater quantities of oil enter the sea as a result of the cleaning of cargo residues. Important as these are they are only one aspect of marine pollution to be taken into account in

designing a ship. Many chemicals carried at sea are a much greater threat to the environment. Some chemicals are so dangerous that their carriage in bulk is banned. In these cases they may be carried in drums. Fortunately, harmful chemicals are carried in smaller ships than tankers, and the ship design is quite complex to enable their cargoes to be carried safely. One ship may carry several chemicals, each posing its own problems.

- 16- **The writer of this passage wants to -----.**
- 1) show all effects of ships on the environment
  - 2) focus on complexity in the design of cargo ships
  - 3) highlight the most dangerous pollutant in the sea
  - 4) explain some types of marine pollution
- 17- **The Convention, according to the passage, -----.**
- 1) forbids dumping of materials into the ocean
  - 2) controls marine transportation and waste production
  - 3) restricts the waste disposal into the seas
  - 4) selects some locations for dumping wastes
- 18- **The largest source of entening oil into seas is -----.**
- 1) the spill of oil close to the coastal areas
  - 2) removing the remnants of oil in the tanks
  - 3) pumping oil into the tanks
  - 4) the discharge of oil at the terminal
- 19- **Transport of the hazardous chemicals by sea -----.**
- 1) is done in small limited quantities
  - 2) is banned because of environmental rules
  - 3) is facilitated by designing complex tankers
  - 4) is carried out through bulk packaging
- 20- **The word "each" in paragraph 2 refers to -----.**
- 1) ship                      2) chemical                      3) cargo                      4) tanker

**PASSAGE 2:**

Ship motions can play a major role in the forces borne by the vessel and must be incorporated into calculations. There can be severe consequences on the stability, structural integrity and material responses due to these loads. In general, rotational motions do not drastically affect the behaviour and characteristics of the ship.

The ship is equipped to handle reasonable amounts of rotational loading as it is a centrifugal force. However, translational motion can be a major source of concern, as it results in large stresses being created in the hull of the ship. In addition, it can also adversely affect the machinery and cargo onboard the vessel.

For instance, during heaving and surging motions, there is a high chance that containers stacked onboard ships can come loose. This can cause damage and loss to property. While swaying is also capable of creating damage, it is less common as it requires waves to act in a certain manner. Usually, when multiple types of motion act on the ship, it creates a twisting force known as torsion. This force is responsible for creating large stresses in the hull of the vessel and is most common in long container carriers.



When designing ships, it is essential that appropriate measures are taken to account for the various motions of the ship. It is also prudent to have these loads and their response on the ship tested using material analysis software.

The main factors that affect the motion of the ship and, its response are the shape, size and weight of the ship. These factors determine other important parameters such as the centre of gravity, the centre of buoyancy and the beam at the waterline. These hydrostatic factors play a major role in determining how a ship or vessel behaves under certain loading conditions.

- 21- **It's stated in the passage that rotational ship motions -----.**
- 1) refer to a large number of forces responded by a ship
  - 2) can have considerable impacts on the hull and overall structure
  - 3) don't affect the ship as severely as the other movements
  - 4) are unpredictable manners contrary to the route of the vessel
- 22- **Swaying as a motion -----.**
- 1) is less common compared with heaving and surging
  - 2) is the main source of stress being created in the hull of the ship
  - 3) occurs because of overloaded or unbalanced shipping containers
  - 4) causes damage when wave action produces forces
- 23- **Torsion, according to the passage, -----.**
- 1) takes place due to multiple forces exerted on the hull
  - 2) is the most common stress borne by the vessel
  - 3) is a type of ship motion creating a twisting force
  - 4) refers to the response of loads in long container carriers
- 24- **The word "prudent" in paragraph 5 can be substituted by -----.**
- 1) different
  - 2) incaution
  - 3) reasonable
  - 4) interesting
- 25- **Shape, size, and weight of the ship determine all of the following EXCEPT -----.**
- 1) the hydrostatic factors of a ship
  - 2) how motions affect the ship
  - 3) the behavior of a ship in different loading conditions
  - 4) the ship's center of gravity and that of buoyancy

**PASSAGE 3:**

The power delivered to the propeller is produced by the propulsion plant of the ship and is transmitted to the propeller usually by a mechanical system, or sometimes by an electrical system. The propulsion plant or main engine may be a steam turbine, a gas turbine or a reciprocating internal combustion (diesel) engine. A turbine runs at a very high speed, and it is necessary to reduce the speed by using a speed-reducing device such as mechanical gearing. High-speed and medium-speed diesel engines also require speed-reducing devices. On the other hand, a low-speed diesel engine is generally directly coupled to the transmission shaft. The power produced by the main engine is transmitted to the propeller, after speed reduction if necessary, through a shafting system consisting of one or more shafts supported on bearings. The shaft on which the propeller is mounted is called the tail shaft, propeller shaft or screw shaft is supported by bearings in a stern tube. There is also a thrust bearing to transmit the propeller thrust to the ship hull. In an electrical propulsion drive, the main engine drives an

electric generator and the electrical power is transmitted by cables to an electric motor which drives the propeller through the propeller shaft. The brake power is the power output of the engine and is carefully measured at the engine manufacturer's works along with the other operating parameters of the engine and is slightly less than the indicated power measured at the cylinder. The power produced by a steam turbine or a gas turbine is usually determined by a torsion meter fitted to the shafting connecting the turbine to the propeller through the gearbox. The power determined by measuring the torsion of the shaft is called the shaft power PS. A torsion meter may also be used to determine the shaft power when the ship has a diesel engine. The shaft power varies with the location of the torsion meter on the propeller shafting, being slightly higher when the torsion meter is fitted close to the engine than when it is fitted close to the propellers.

- 26- The power is transferred to propeller through -----.
- 1) propulsion plant of the ship
  - 2) a mechanical system or an electronical one
  - 3) reciprocating internal combustion engine
  - 4) integration of mechanical and electronical systems
- 27- A mechanical gearing -----.
- 1) is a low-speed disel engine
  - 2) is a device used to decrease the speed of turbine
  - 3) is connected to the main engine to accelerate the speed
  - 4) is directly combined to the transmission shaft
- 28- A stern tube bearing -----.
- 1) mounts propeller on the shaft
  - 2) reduces the forces transferred to the vessel
  - 3) bears all the forces acting on the shaft
  - 4) is a precision-made component protecting the tail shaft
- 29- The torsion meter -----.
- 1) can be located in various places
  - 2) is used to highten the shaft power
  - 3) restricts the power of the diesel engines
  - 4) varies the shaft power through the turbines
- 30- The tone of the writer in this passage is -----.
- 1) ambivalent
  - 2) critical
  - 3) objective
  - 4) scheming

ریاضیات (ریاضی عمومی (۱ و ۲)، معادلات دیفرانسیل، ریاضی مهندسی):

۳۱- حاصل  $\lim_{x \rightarrow 0} \frac{x(\cos x - 1)}{\sin x - x}$  کدام است؟

۱ (۱)

۳ (۲)

صفر (۳)

۲ (۴)

۳۲- چند جمله‌ای  $p(x) = x^{101} - 3x + 5$  چند ریشه حقیقی دارد؟

(۱) ۳

(۲) ۱

(۳) ۱۰۱

(۴) فاقد ریشه است.

۳۳- حاصل  $\int_{\frac{\pi}{2}}^{\pi} \frac{dx}{1 + \sin x - \cos x}$  کدام است؟

(۱)  $\ln(1 + \sqrt{3})$

(۲)  $\ln\left(\frac{\sqrt{3}+1}{2}\right)$

(۳)  $\ln\left(\frac{\sqrt{3}-1}{2}\right)$

(۴)  $\ln(\sqrt{3}-1)$

۳۴- حجم ناحیه محصور بین رویه  $r = 2\cos\theta$  و کره به مرکز مبدأ و شعاع ۲ کدام است؟

(۱)  $\frac{16\pi}{3}$

(۲)  $\frac{16(3\pi-4)}{3}$

(۳)  $\frac{16(3\pi-4)}{9}$

(۴)  $\frac{16\pi}{9}$

۳۵- حاصل  $\int_C (e^x \cos y + xy^2) dx - (e^x \sin y + xy^2) dy$  که در آن خم C قسمتی از منحنی  $r^2 = \cos 2\theta$  در

ربع اول از نقطه  $(1, 0)$  تا نقطه  $(0, 0)$  می‌باشد، کدام است؟

(۱)  $e - \frac{11}{12}$

(۲)  $\frac{\pi}{64} + e - 1$

(۳)  $1 - \frac{\pi}{64} - e$

(۴)  $\frac{11}{12} - e$



۳۶- فرض کنید  $f(x) = \frac{1}{x}$  و  $w(f, x, y) = \begin{vmatrix} f(x) & y \\ f'(x) & y' \end{vmatrix} = 3$  و  $y(1) = 2$  باشد. مقدار  $y(3)$  کدام است؟

(۱)  $\frac{26}{3}$

(۲)  $\frac{28}{3}$

(۳) ۹

(۴)  $\frac{25}{3}$

۳۷- درباره جواب عمومی معادله دیفرانسیل  $y''(1+y'^2) = 9$  کدام مورد صحیح است؟

(۱) دسته دایری که مرکز آن مبدأ مختصات است.

(۲) دسته سهمی که خط  $x = 0$  محور تقارن آن است.

(۳) دسته سهمی که خط  $y = 0$  محور تقارن آن است.

(۴) دسته دایری که مرکز آن نقاط  $(c, 0)$  است.

۳۸- جواب عمومی معادله  $yy'' + y'^2 = y^2 y'^3 \ln y$  کدام مورد است؟

(۱)  $9x = y^3(4 + \ln y^3) + C_1 y^2 + C_2$

(۲)  $3x = y^3(4 + \ln y^3) + C_1 y^2 + C_2$

(۳)  $3x = y^3(4 - \ln y^3) + C_1 y^2 + C_2$

(۴)  $9x = y^3(4 - \ln y^3) + C_1 y^2 + C_2$

۳۹- اگر  $y$  جواب معادله دیفرانسیل  $y''' - 3y'' + 2y' - 6y = e^{3x}$  با شرایط  $y''(0) = \frac{6}{11}, y'(0) = \frac{1}{11}, y(0) = 0$  باشد

آنگاه  $y(-1)$  کدام است؟

(۲)  $-\frac{1}{11e^3}$

(۱)  $\frac{1}{12e^3}$

(۴)  $-\frac{e^3}{11}$

(۳)  $\frac{e^3}{12}$

۴۰- برای معادله  $y'' + 9y = 0$  با شرایط اولیه  $y(0) = 1$  و  $y'(0) = 2$  کدام است؟

(۱)  $\frac{2}{3}$

(۲) ۱

(۳)  $\frac{1}{3}$

(۴) -۱

۴۱- کدام گزینه عامل انتگرال معادله دیفرانسیل  $\frac{dy}{dx} + \frac{2y}{x} = 1$  است؟

(۴)  $x^2$

(۳)  $e^{x^2}$

(۲)  $e^x$

(۱)  $\ln(x^2)$



۴۲- معادله دیفرانسیل حاکمه دما در یک پره، به صورت زیر است:

$$\frac{d}{dx} \left( x^2 \frac{d\theta}{dx} \right) - \lambda x \theta = 0$$

این معادله با کدام معادله زیر تطبیق دارد؟

- الف- بسل معمولی (۱) د  
ب- بسل بهبود یافته (۲) ج  
ج- بسل عمومی (۳) ب و ج  
د- کوشی-اولر (۴) ج و د

۴۳- کدام مورد مقدار مشخصه ماتریس زیر نیست؟

$$\begin{bmatrix} -1 & 0 & 0 \\ 0 & -3 & 2 \\ 2 & 0 & -8 \end{bmatrix}$$

- (۱) -۱  
(۲) -۳  
(۳) -۴  
(۴) -۸

۴۴- پاسخ عددی اولین مرحله معادله دیفرانسیل  $\frac{dy}{dx} = x^2$  در روش رانگ - کوتا مرتبه چهارم، با شرط اولیه

$y(0) = 0$  و مقدار گام  $h = 1$  با کدام مورد برابر است؟

- (۱)  $\frac{1}{6}$   
(۲)  $\frac{1}{4}$   
(۳)  $\frac{1}{3}$   
(۴) ۱

۴۵- پاسخ معادله جبری  $x^2 \sin x = -1$  در دومین مرحله تکرار در روش دو قسمتی (Bisection) با مقادیر اولیه  $\pi$  و

$\frac{3\pi}{2}$  با کدام مورد برابر است؟

- (۱)  $\pi$   
(۲)  $2\pi$   
(۳)  $\frac{5\pi}{4}$   
(۴)  $\frac{9\pi}{8}$

مکانیک سیالات:

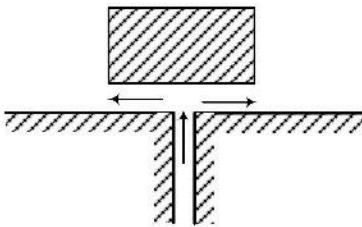
۴۶- در یک جریان پتانسیل، فشار از کدام رابطه زیر به دست می آید؟

- (۱) رابطه برنولی (۲)  $\frac{\rho \partial \phi}{\partial t}$   
(۳) رابطه ممنتم (۴)  $\nabla^2 \phi = 0$

۴۷- برای یک سیال تراکم‌ناپذیر مؤلفه‌های سرعت به صورت  $\begin{cases} u = axy^2 - 4x^3 \\ v = bx^2y - y^3 \end{cases}$  هستند.  $a$  و  $b$  کدام است؟

- (۱)  $a = 4$   $b = 16$  (۲)  $a = 3$   $b = 12$   
 (۳)  $a = 2$   $b = 8$  (۴)  $a = 1$   $b = 4$

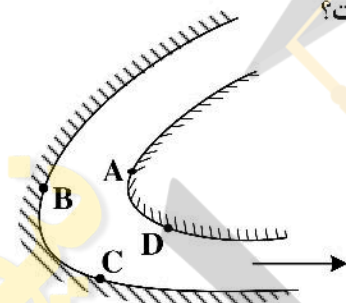
۴۸- صفحه‌ای به وزن  $\pi$  kg در مقابل جریان جت در راستای قائم در تعادل قرار دارد. قطر جت ۲cm است. سرعت جت آب چند متر بر ثانیه باشد، تا صفحه را در نقطه ثابت نگه دارد؟



$$\left( g = 10 \frac{m}{s^2} \quad \rho = 1000 \frac{kg}{m^3} \right)$$

- (۱) ۵  
 (۲) ۸  
 (۳) ۱۰  
 (۴) ۱۲

۴۹- سیال آب از زانوی نشان داده شده در شکل زیر عبور می‌کند. اگر با افزایش سرعت، پدیده کاویتاسیون در زانو اتفاق افتد، احتمال شروع این پدیده در کدام نقطه (A، B، C و D) بیشتر است؟



- (۱) D  
 (۲) C  
 (۳) B  
 (۴) A

۵۰- جریانی با جرم حجمی  $\rho$  و دبی  $Q$  از لوله زانویی  $60^\circ$  به قطر  $D$  عبور می‌کند و فشار به اندازه  $\Delta P$  افت می‌کند ضریب افت موضعی  $K$  برابر کدام مورد است؟

(۱)  $\frac{\Delta P \pi D^4}{4 \rho Q^2}$  (۲)  $\frac{\Delta P \pi D^4}{8 \rho Q^2}$  (۳)  $\frac{\Delta P \pi D^2}{\rho Q^2}$  (۴)  $\frac{\Delta P \pi D^2}{2 \rho Q^2}$

۵۱- برای جریان آشفته در یک لوله، کدام عبارت در رابطه با افت فشار نادرست است؟

- (۱) با قطر لوله نسبت عکس دارد.  
 (۲) با طول لوله متناسب است.  
 (۳) با افزایش عدد رینولدز کاهش می‌یابد.  
 (۴) با مجذور سرعت متناسب است.

۵۲- کدام یک از حالت‌های زیر برای سیال غیرممکن است؟

- (۱) جریان دائمی غیریکنواخت  
 (۲) جریان غیریکنواخت فوق بحرانی  
 (۳) جریان چرخشی برگشت‌پذیر  
 (۴) جریان غیردائمی یکنواخت

۵۳- دو پمپ سانتریفوژ دارای هد (H) و دبی (Q) یکسان هستند. اگر گشتاور لازم برای چرخاندن پروانه (T) پمپ اول

$1/5$  برابر پمپ دوم و سرعت زاویه‌ای ( $\omega$ ) پمپ اول  $1/4$  پمپ دوم باشد، نسبت راندمان دو پمپ  $\frac{\eta_1}{\eta_2}$  کدام است؟

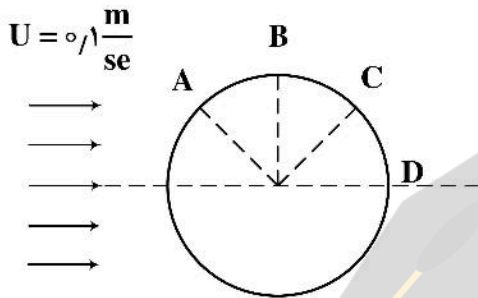
- (۱)  $\frac{3}{4}$  (۲)  $\frac{4}{3}$  (۳) ۱ (۴)  $\frac{2}{3}$



۵۴- در داخل لوله‌ای یک بار جریان توسعه‌یافته آرام و بار دیگر جریان توسعه‌یافته آشفته عبور می‌کند. اگر سرعت جریان در مرکز لوله در هر دو حالت یکسان باشد دبی جریان در شرایط آرام ..... از دبی جریان در شرایط آشفته است.

- (۱) کمتر (۲) مساوی (۳) بیشتر (۴) مساوی یا بیشتر

۵۵- جریان سیالی با سرعت  $0.1 \frac{m}{sec}$  و لزجت سینماتیکی  $\nu = 10^{-4} \frac{m^2}{sec}$  مطابق شکل به کره‌ای به قطر  $0.5m$  برخورد می‌کند. برای نقطه جدایی جریان کدام مورد صحیح است؟



- (۱) نقطه C  
(۲) نقطه D  
(۳) نقطه A  
(۴) نقطه B

۵۶- صفحه‌ای افقی به طول L در معرض جریان لایه‌ای تراکم‌ناپذیر قرار گرفته است. اگر طول صفحه ۴ برابر شود تنش برشی نسبت به حالت اول  $\frac{\tau_2}{\tau_1}$  برابر کدام مورد است؟

- (۱)  $\sqrt{\frac{1}{2}}$   
(۲)  $\sqrt{2}$   
(۳)  $\frac{1}{2}$   
(۴) ۲

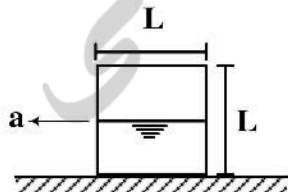
۵۷- برای جریان با تابع پتانسیل  $\phi = x^2 + y^2$  کدام عبارت صحیح است؟

- (۱) جریان چرخشی تراکم‌پذیر  
(۲) جریان چرخشی تراکم‌ناپذیر  
(۳) جریان غیرچرخشی تراکم‌ناپذیر  
(۴) جریان غیرچرخشی تراکم‌پذیر

۵۸- منحنی مشخصه پمپی  $H_p = 100 - Q^2$  و منحنی سیستم آن  $H_s = 25 + 2Q^2$  هستند. مقدار دبی نقطه عملکرد (Duty Point) این پمپ برحسب  $\frac{m^3}{sec}$  برابر کدام مورد است؟

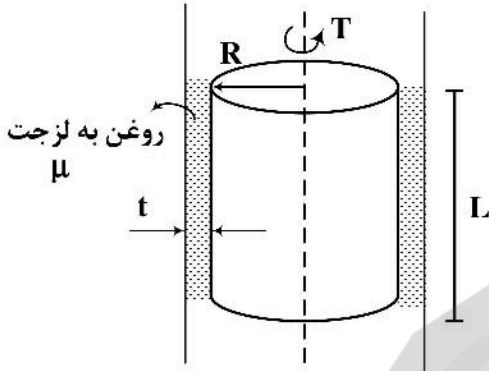
- (۱) ۲  
(۲) ۵  
(۳) ۷  
(۴) ۱۰

۵۹- یک مخزن مکعبی به ابعاد L تا نیمه از سیال پر شده است. این مخزن روی سطح افقی با شتاب افقی a کشیده می‌شود. حداکثر شتاب a برای اینکه سیال از مخزن بیرون نریزد کدام مورد است؟



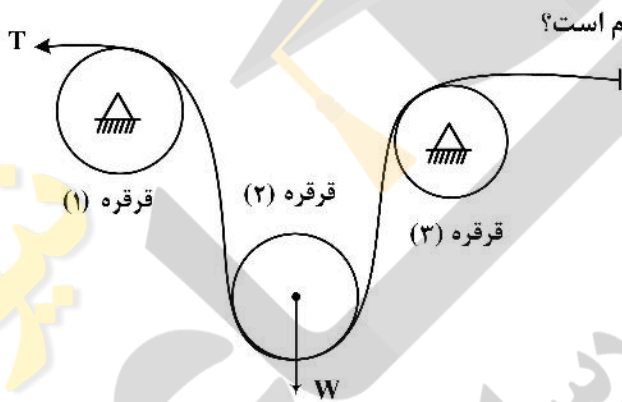
- (۱) g  
(۲) ۲g  
(۳)  $\frac{g}{2}$   
(۴)  $\frac{3}{2}g$

۶۰- استوانه‌ای مطابق شکل به شعاع  $R$  و طول  $L$  در داخل یک سیلندر که جدار داخلی آن با روغن به لزجت  $\mu$  و به ضخامت کم  $t$  پوشانده شده است، با گشتاور  $T$  می‌چرخد. تنش برشی روی استوانه چرخان ( $\tau$ ) برابر کدام مورد است؟



- (۱)  $\frac{2T}{\pi R^2 L}$
- (۲)  $\frac{T}{2\pi R^2 L}$
- (۳)  $\frac{T}{\pi R^2 L \mu}$
- (۴)  $\frac{T \mu}{\pi R^2 L}$

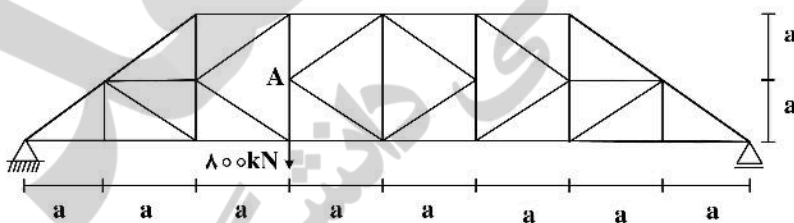
مکانیک جامدات (استاتیک، مقاومت مصالح و تحلیل سازه‌ها):



۶۱- در مجموعه ۳ قرقره و طناب زیر نیروی کششی  $T$  کدام است؟

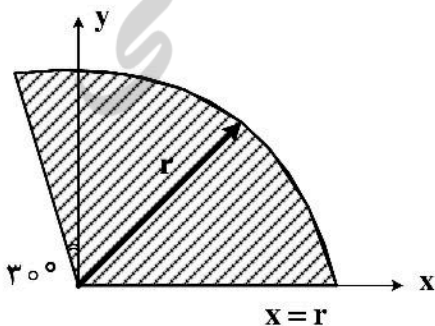
- (۱)  $T = \frac{3}{2} W$
- (۲)  $T = W$
- (۳)  $T = \frac{W}{2}$
- (۴)  $T = 2W$

۶۲- در خرابی داده شده، نیروی عضو  $AB$  کدام است؟



- (۱)  $F_{AB} = \sqrt{2} (500)$
- (۲)  $F_{AB} = \sqrt{2} (300)$
- (۳)  $F_{AB} = \frac{\sqrt{2}}{2} (500)$
- (۴)  $F_{AB} = \frac{\sqrt{2}}{2} (300)$

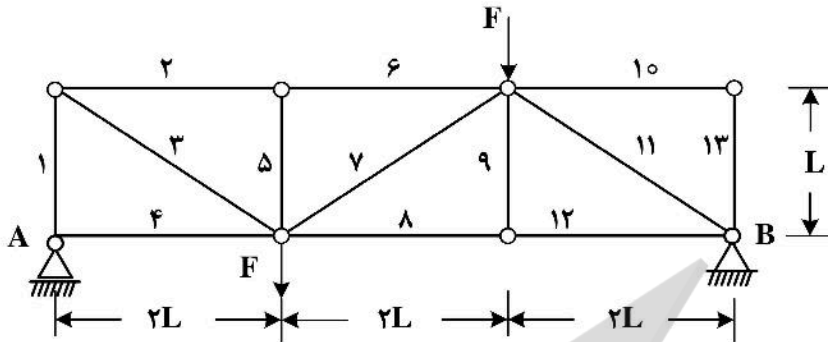
۶۳- در شکل نشان داده شده گشتاور دوم سطح نسبت به محور  $x$ ها کدام است؟



- (۱)  $I_{xx} = r^4 \left( \frac{3\pi}{16} - \frac{4}{3\pi} \right)$
- (۲)  $I_{xx} = r^4 \left( \frac{5\pi}{16} - \frac{1}{9\pi} \right)$
- (۳)  $I_{xx} = r^4 \left( \frac{\pi}{12} - \frac{\sqrt{3}}{32} \right)$
- (۴)  $I_{xx} = r^4 \left( \frac{3\pi}{16} - \frac{2}{3\pi} \right)$

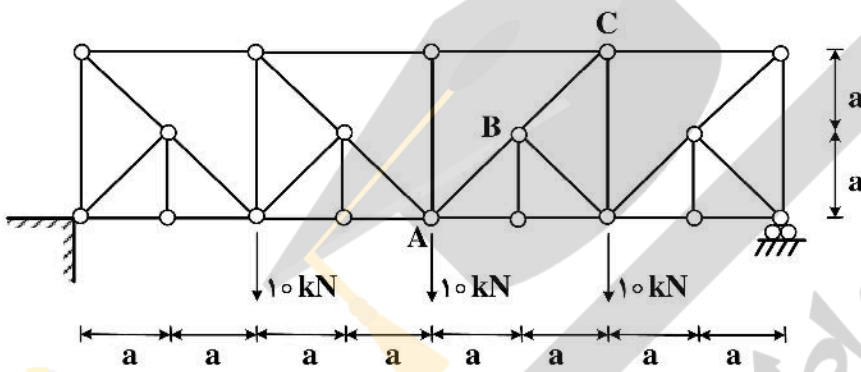


۶۴- در خرابای نشان داده شده، چند عضو با نیروی داخلی صفر وجود دارد؟ (شماره عضو روی شکل نشان داده شده است)



- (۱) پنج
- (۲) سه
- (۳) چهار
- (۴) دو

۶۵- در خرابای نشان داده شده، نیروی داخلی اعضاء AB و BC کدام است؟



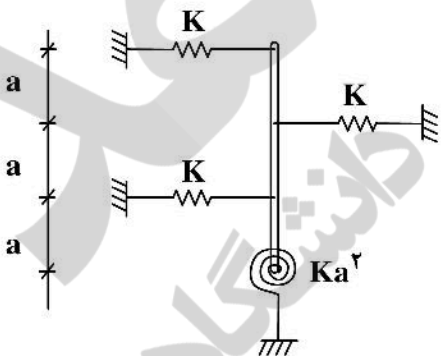
$$F_{AB} = \frac{\sqrt{2}}{2} 10, F_{BC} = \frac{\sqrt{2}}{2} 10 \quad (۲)$$

$$F_{AB} = \frac{\sqrt{2}}{2} 15, F_{BC} = \frac{\sqrt{2}}{2} 5 \quad (۴)$$

$$F_{AB} = \frac{\sqrt{2}}{2} 5, F_{BC} = -\frac{\sqrt{2}}{2} 5 \quad (۱)$$

$$F_{AB} = -\frac{\sqrt{2}}{2} 10, F_{BC} = \frac{\sqrt{2}}{2} 10 \quad (۳)$$

۶۶- بار بحرانی ستون صلب نشان داده شده در شکل زیر برابر کدام است؟



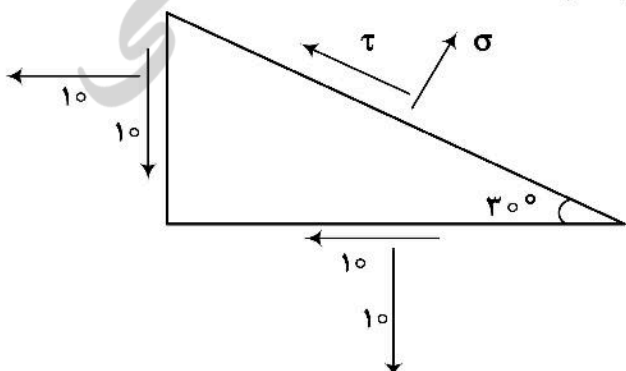
$$P_{cr} = 5 Ka \quad (۱)$$

$$P_{cr} = 3 Ka \quad (۲)$$

$$P_{cr} = 2/5 Ka \quad (۳)$$

$$P_{cr} = 4 Ka \quad (۴)$$

۶۷- با توجه به شکل زیر، مقادیر تنش‌ها در سطح شیب‌دار کدام است؟



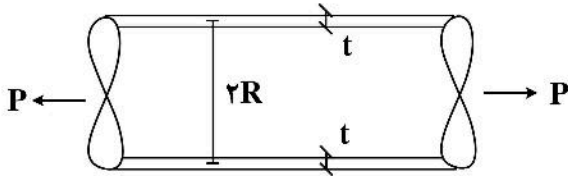
$$\tau = +5, \sigma = 10 + 5\sqrt{3} \quad (۱)$$

$$\tau = -5, \sigma = 10 - 5\sqrt{3} \quad (۲)$$

$$\tau = +5, \sigma = 10 - 5\sqrt{3} \quad (۳)$$

$$\tau = -5, \sigma = 10 + 5\sqrt{3} \quad (۴)$$

۶۸- در یک لوله طویل تحت فشار گاز داخلی  $q$  و نیروی محوری  $P$  حداکثر تنش برشی در جدار کدام است؟ (۱) صفر است.

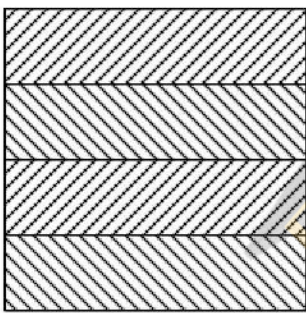


$$\pm \left( \frac{P}{4\pi R t} - \frac{qR}{2t} \right) \quad (2)$$

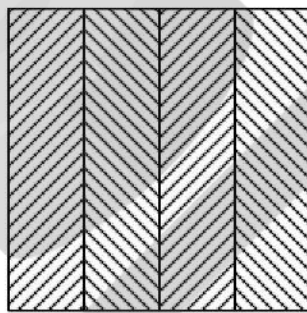
$$\pm \left( \frac{P}{4\pi R t} + \frac{qR}{2t} \right) \quad (3)$$

$$\frac{P}{4\pi R t} \quad (4)$$

۶۹- تیر با مقطع مستطیل از کنار هم قرار گرفتن چهار عدد الوار (بدون اتصال) ساخته شده است. دو نوع چیدمان برای این تیر مطابق شکل می تواند اجرا شود. نسبت تنش حداکثر برشی و خمشی در این دو حالت کدام است؟



چیدمان ۲



چیدمان ۱

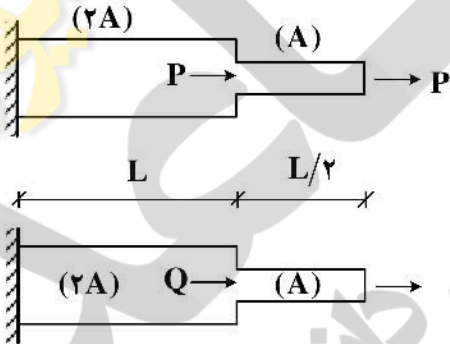
$$\frac{\sigma_1}{\sigma_2} = 4, \frac{\tau_1}{\tau_2} = \frac{1}{4} \quad (1)$$

$$\frac{\sigma_1}{\sigma_2} = \frac{1}{4}, \frac{\tau_1}{\tau_2} = 4 \quad (2)$$

$$\frac{\sigma_1}{\sigma_2} = \frac{1}{4}, \frac{\tau_1}{\tau_2} = 1 \quad (3)$$

$$\frac{\sigma_1}{\sigma_2} = 1, \frac{\tau_1}{\tau_2} = 1 \quad (4)$$

۷۰- بار  $Q$  چه مقدار باشد تا افزایش طول ۲ میله یکسان شود؟ ( $E$  ضریب الاستیسیت) مساحت میله‌ها روی شکل نشان داده شده است.



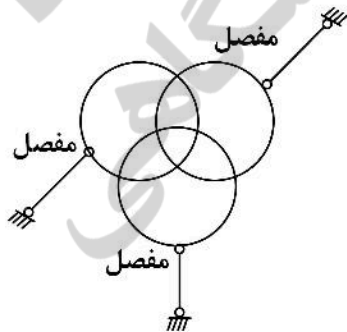
$$Q = 1.5P \quad (1)$$

$$Q = 2P \quad (2)$$

$$Q = 1.75P \quad (3)$$

$$Q = 2P \quad (4)$$

۷۱- یک قاب خمشی با اتصالات صلب بین تمام اعضاء به صورت شکل زیر ساخته شده است. این قاب چند درجه نامعین است؟ (اتصال بین تیکه‌گاه و میله‌ها مفصلی است.)



$$6 \quad (1)$$

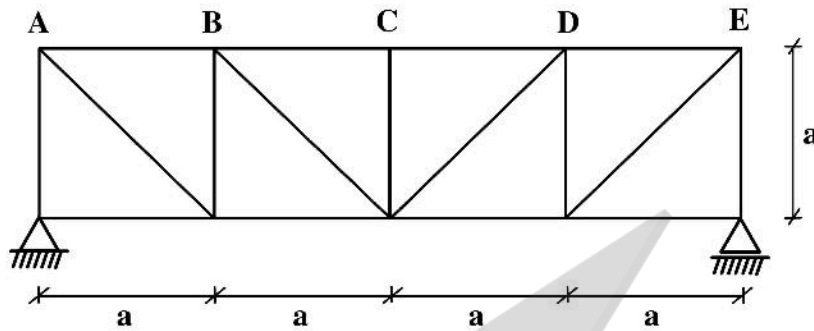
$$18 \quad (2)$$

$$21 \quad (3)$$

$$24 \quad (4)$$

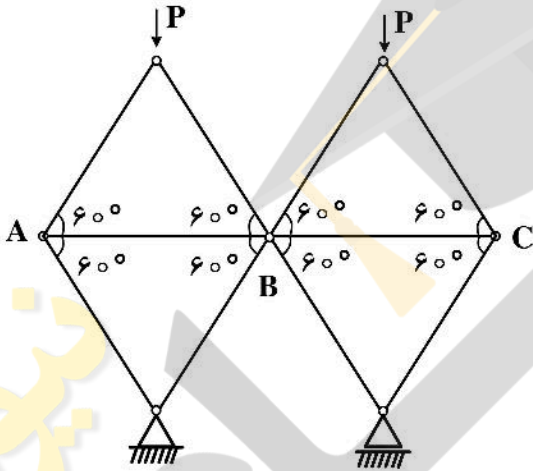


۷۲- هرگاه اعضای پایین خرپا به اندازه  $\Delta T$  گرم شوند، جابه‌جایی نقطه E چه مقدار است؟  
(EA برای همه اعضا ثابت است و  $\alpha$  ضریب انبساط حرارتی است.)



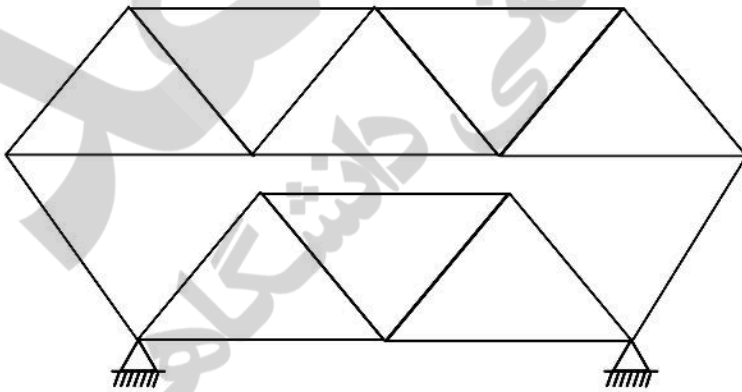
- (۱)  $\alpha \Delta T a$
- (۲)  $4 \alpha \Delta T a$
- (۳)  $2 \alpha \Delta T a$
- (۴)  $3 \alpha \Delta T a$

۷۳- در خرپای نشان داده شده نیروی داخلی عضو AB و BC کدام است؟



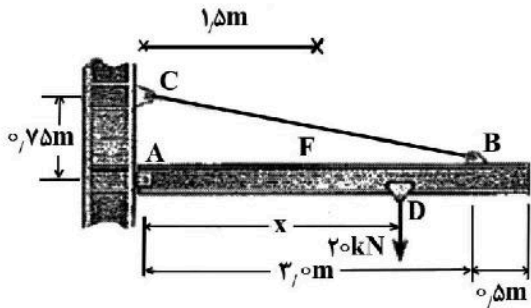
- (۱) صفر است.
- (۲)  $+\frac{P}{\sqrt{3}}$
- (۳)  $+P$
- (۴) خرپا نامعین است و بی‌نهایت جواب دارد.

۷۴- پایداری و معین بودن خرپای زیر کدام است؟



- (۱) خرپا ناپایدار است.
- (۲) خرپا پایدار و معین است.
- (۳) خرپا پایدار و نامعین است.
- (۴) خرپای مبهم (مختلط) است و ناپایداری آن قابل تشخیص نیست.

۷۵- در تیر نشان داده شده، حداکثر قدر مطلق لنگر خمشی در وسط دهانه AB (نقطه F) برحسب  $kN.m$  کدام است؟



- (۱) ۵
- (۲) ۱۵
- (۳) ۲۰
- (۴) ۱۰

آرشیفتکت کشتی (هیدرواستاتیک):

۷۶- یک شناور مکعب مستطیل بدون تریمر در آبخور ۵m شناور است. اگر یک بار به وزن  $1500t$  به فاصله ۲۰ متری جلوتر از وسط کشتی بارگیری شود، آبخور در عمود پاشنه چند متر است؟ (مقدار  $TPC = 25$  و  $MCTC = 200$  است.)

- (۱) ۴/۸۵
- (۲) ۵/۱۵
- (۳) ۵/۳۵
- (۴) ۶/۲۵

۷۷- یک جسم توپر به شکل مکعب مستطیل به طول ۱۰m، عرض ۴m و ارتفاع ۲m از ماده‌ای همگن ساخته شده که چگالی آن نصف چگالی آب شیرین است. تعادل اولیه این جسم هنگامی که در آب شیرین شناور است، کدام است؟

- (۱) تعادل ناپایدار
- (۲) تعادل خنثی
- (۳) تعادل پایدار
- (۴) اطلاعات برای بررسی تعادل کافی نیست.

۷۸- یک بلوک چوبی با طول ۲ متر، عرض ۱ متر و ارتفاع ۱ متر در آب شیرین شناور است. اگر آبخور در قسمت جلو آن ۲۰cm و آبخور عقب آن ۶۰cm باشد، جرم این بلوک چوبی چند کیلوگرم است؟

- (۱) ۷۰۰
- (۲) ۷۵۰
- (۳) ۸۰۰
- (۴) ۸۵۰

۷۹- یک شناور به شکل یک منشور (با مقطع مثلثی) به طول ۵۰m، عرض ۱۲m و ارتفاع بدنه ۸m است. مقدار KM در آبخور ۶m کدام است؟

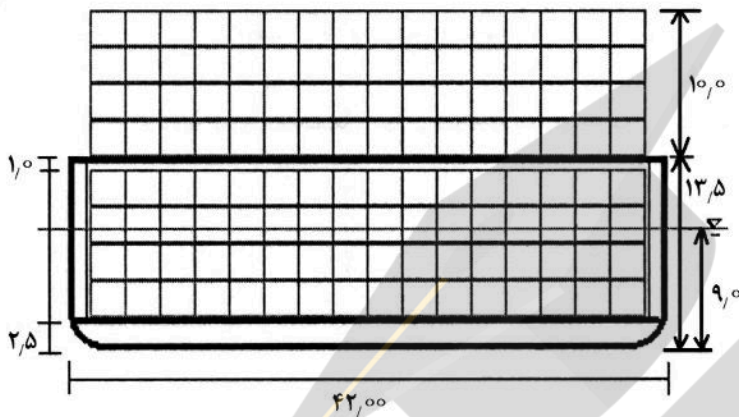
- (۱) ۴/۲۵m
- (۲) ۵/۲۵m
- (۳) ۵/۷۵m
- (۴) ۶/۲۵m

۸۰- یک مخزن کف دوجداره مکعب مستطیل شکل با طول ۳۰m، عرض ۱۰m و ارتفاع ۲m از سوختی با  $SG = 0.9$  پر شده است. جرم سوخت درون این مخزن کدام است؟

- (۱) ۴۲۰t
- (۲) ۴۸۰t
- (۳) ۵۴۰t
- (۴) ۶۲۰t



۸۱- یک کشتی کانتینربردارای طول ۲۸۵ متر، عرض ۴۲ متر و آبخور ۹ متر است. این کشتی در بارگیری نشان داده شده دارای وزن ۷۱۰۰۰ تن و مرکز ثقل عمودی این کشتی  $KG = 11.9m$  است. یک ردیف کانتینر ۲۰ فوتی که عرض و ارتفاع کانتینر با در نظر گرفتن شرایط بارگیری  $2.5$  متر و وزن هر کانتینر ۱۲ تن به تعداد ۸۰۰ عدد به عرشه کشتی اضافه می‌گردد. عرشه هم اکنون دارای ۵ ردیف کانتینر شده است. موقعیت عمودی مرکز ثقل جدید کشتی (KG) کدام است؟ (مرکز ثقل هر کانتینر در وسط آن در نظر گرفته شود).



۱۳/۲۸ (۱)

۱۳/۴۳ (۲)

۱۵/۲۵ (۳)

۱۵/۰۱ (۴)

۸۲- کشتی دارای طول بین دو عمود  $LBP = 91.00m$  می‌باشد. این کشتی بدون هیل بوده و دارای تریم  $0.189$  درجه می‌باشد. مقدار آبخور در عمود سینه شناور  $3.40$  و در عمود پاشنه شناور  $3.70$  متر می‌باشد. اگر مقادیر موقعیت طولی مرکز بویانسی و مرکز شناوری نسبت به وسط طولی شناور (به سمت جلو مثبت)، مرکز عمودی بویانسی نسبت به خط آب و دیگر مقادیر به شرح جدول زیر است. LCG و KG این شناور، کدام است؟

عنوان	مقدار
Displacement (tonne)	۱۲۳۷
Draft at FP (m)	۳/۴۰
Draft at AP (m)	۳/۷۰
LCB from Amidship (+fwd m)	-۱/۵۶۵
LCF from Amidship (+fwd m)	-۱/۱۸۴
KB (m)	۲/۹۵
TPc (tone/cm)	۶/۴۴
MTc (tone.cm)	۱۲/۷۷

(۱)  $KG = 0.495$  و  $LCG = -1.565$

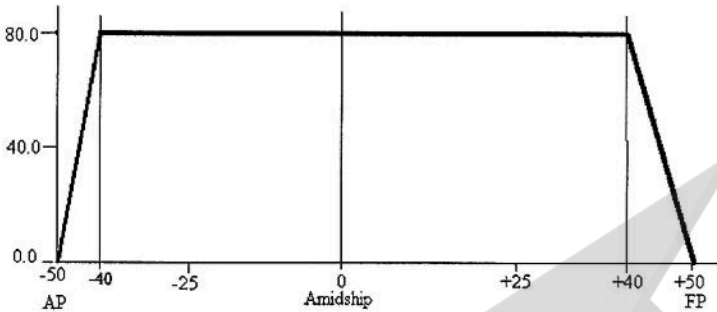
(۲) LCG نامشخص و  $KG = 0.495$

(۳)  $KG$  و  $LCG = -1.565$  آن نامشخص است.

(۴) LCG و  $KG$  نامشخص است.

۸۳- منحنی مساحت مقاطع یک کشتی به شرح زیر داده شده است. طول بین عمودها و طول خیس شناور برابر ۱۰۰ متر، عرض ۲۰ متر و آبخور ۴ متر و ارتفاع ۸/۵ متر می‌باشد. موقعیت طولی مرکز بویانسی شناور نسبت به وسط طولی شناور Amidship کدام است؟

Section Area (m<sup>2</sup>)



- (۱) صفر متر از وسط طولی
- (۲) ۵/۸۳ متر از وسط طولی به سمت پاشنه
- (۳) ۲/۹۳ متر از وسط طولی به سمت پاشنه
- (۴) ۴/۸۳ متر از وسط طولی به سمت پاشنه

۸۴- اسکله چوبی با طول ۵ متر، عرض ۲ متر و آبخور ۱ متر در دریای آرام شناور است. اگر باری برابر ۵ تن به آن اضافه کنیم به طوری که اسکله به همان صورت صاف در آب قرار گیرد، (Parallel sinkage) آبخور جدید آن چند

متر است؟  $(\rho_w = 1000 \frac{kg}{m^3})$

- (۱) ۱/۵
- (۲) ۱/۶
- (۳) ۱/۸
- (۴) ۲

۸۵- یک زیردریایی به شکل استوانه افقی به قطر ۳ متر و طول ۱۰ متر در روی آب شناور است. به طوری که نصف حجم زیردریایی داخل آب قرار دارد و کلیه مخازن خالی است. اگر چگالی آب دریا  $1000 \frac{kg}{m^3}$  باشد، وزن زیردریایی تقریباً

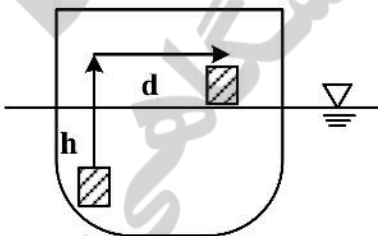
چند کیلونیوتن است؟  $(g = 10 \frac{m}{s^2}, \pi = 3)$

- (۱) ۱۲۰
- (۲) ۳۴۰
- (۳) ۴۰۰
- (۴) ۵۲۰

۸۶- تغییرات نمودار متانتریک (KM<sub>T</sub>) بر حسب آبخور برای شناورها با مقاطع مثلثی و مستطیلی به ترتیب چگونه است؟

- (۱) سهمی - خطی
- (۲) هر دو سهمی
- (۳) خطی - سهمی
- (۴) خطی - خطی

۸۷- یک کشتی با جابه‌جایی ۵۰۰۰ تن و طول ۸۰ m دارای  $GM_T = 1/1m$  می‌باشد. بار ۱۰۰ تن به اندازه ۵ متر به سمت بالا و سپس به اندازه ۵ متر در جهت عرض کشتی جابه‌جا می‌شود. زاویه هیل کشتی چند درجه است؟



- (۱) ۲/۸۶
- (۲) ۴/۵
- (۳) ۵/۷۳
- (۴) ۶/۵۲

۸۸- شناوری دارای طول ۱۲۰ متر، عرض ۲۰ متر و آبخور ۸ متر و شعاع متاسنتر عرضی ۶ متر می‌باشد. اگر طول و آبخور شناور ثابت، و عرض آن به ۲۰/۵ متر تغییر نماید، شعاع متاسنتر شناور جدید چند متر است؟

- (۱) ۶/۳
- (۲) ۶/۴
- (۳) ۶/۵
- (۴) ۶/۸

۸۹- یک کشتی با طول ۲۲۰ متر و جابه‌جایی ۱۱۰/۰۰۰ تن در آب شیرین ( $\rho = 1 \frac{\text{ton}}{\text{m}^3}$ ) شناور است. اگر شعاع متاسنتر طولی شناور ۴۰ متر باشد، ممانی که ایجاد یک سانتی‌متر تریم در شناور می‌کند چند تن - متر است؟

(۱) ۸۰

(۲) ۱۲۰

(۳) ۱۸۰

(۴) ۲۰۰

۹۰- رابطه سطح آب‌خور یک شناور ( $A_w$ ) در هر آب‌خور ( $T$ ) به صورت  $A_w = \frac{1}{3} T^2$  می‌باشد. اگر در آب‌خور ۶ متر حجم جابه‌جایی شناور ۳۶ متر مکعب باشد، ارتفاع مرکز بویانسی شناور ( $KB$ ) چند متر است؟

(۱) ۳/۸

(۲) ۴/۲

(۳) ۴/۵

(۴) ۴/۸

آرشیفت کشتی (هیدرودینامیک):

۹۱- مقاومت باقیمانده یک کشتی در سرعت مشخص  $V$  و وزن  $W$  مقدار ۳۵٪ مقاومت کل کشتی را تشکیل می‌دهد که با رابطه  $R_R = C_R \times \frac{\rho}{2} V^2$  تعریف می‌گردد. با فرض سرعت ثابت و وزن ثابت چگونه می‌توان سهم مقاومت باقیمانده را کاهش داد؟

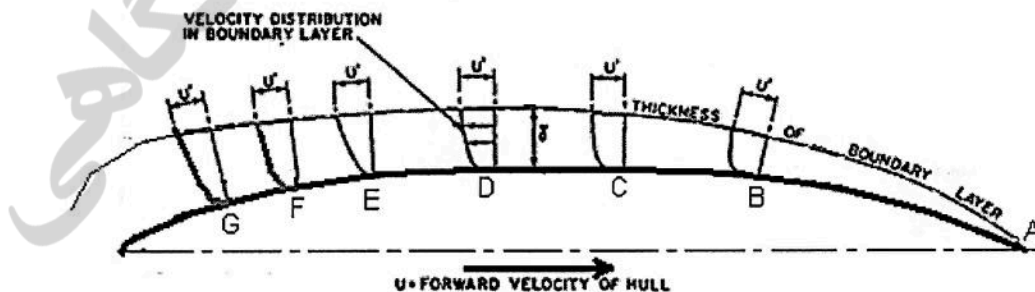
(۱) افزایش آب‌خور و کاهش طول

(۲) افزایش عرض و کاهش طول و یا آب‌خور و یا ضریب ظرافت بدنه

(۳) افزایش طول و کاهش عرض و یا آب‌خور و یا ضریب ظرافت بدنه

(۴) افزایش ضریب ظرافت بدنه و کاهش عرض و یا آب‌خور و یا طول

۹۲- شناوری در آب راکد با سرعت ثابت در حال حرکت است که یک صفحه آب‌خور در حالت کاملاً مغروق به صورت زیر می‌باشد. کدام یک از عبارات‌های زیر در مورد وقوع جدایی جریان صحیح است؟



(۲) محل شروع جدایی جریان نقطه F است.

(۱) محل شروع جدایی جریان نقطه A است.

(۴) در این صفحه آب‌خور جدایی جریان وجود ندارد.

(۳) محل شروع جدایی جریان نقطه G است.



۹۳- مدلی از پروانه پنج پره دارای قطر  $D_m = 0.15m$  پشت بدنه مدل کشتی  $L_m = 5.00m$  تحت تست خودران قرار گرفته است. اگر نسبت قطر پروانه کشتی به قطر پروانه مدل  $\lambda = 40.0$  باشد و مقادیر ضرایب هیدرودینامیکی مدل در  $J_m = 0.67$  برابر  $KT_m = 0.47$  و  $KQ_m = 0.91$  در ضریب و یک مدل  $w_m = 0.21$  شده است. ضریب و یک و ضرایب هیدرودینامیکی پروانه کشتی کدام است؟

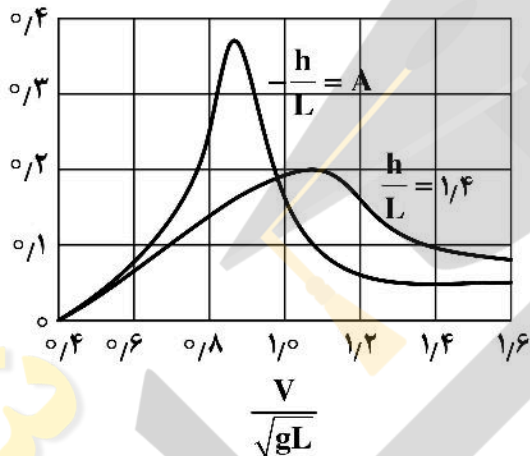
(۱)  $KQ_s = 0.91$  و  $KT_s = 0.47, w_s > 0.21$

(۲)  $KQ_s < 0.91$  و  $KT_s < 0.47, w_s = 0.21$

(۳)  $KQ_s > 0.91$  و  $KT_s > 0.47, w_s > 0.21$

(۴)  $KQ_s = 0.91$  و  $KT_s = 0.47, w_s = 0.21$

۹۴- منحنی مقاومت موج عدد فرود طولی برای یک شناور در آب کم عمق در شکل نشان داده شده است.  $L$  طول شناور و  $h$  عمق آب است. کدام گزینه صحیح است؟



(۱)  $A < 1/4$

(۲)  $A > 1/4$

(۳) با افزایش سرعت مقاومت موج افزایش می‌یابد.

(۴) با افزایش سرعت مقاومت موج کاهش می‌یابد.

۹۵- پروانه یک کشتی با سرعت پیشروی  $18 \frac{m}{s}$  دارای گام ۴ متر و سرعت دورانی  $360$  دور بر دقیقه است. نسبت لغزش حقیقی پروانه (Real Slip Ratio) کدام است؟

(۱)  $0.25$

(۲)  $0.18$

(۳)  $0.12$

(۴)  $0.25$

۹۶- بازده بدنه یک شناور در سرعت  $15$  گره دریایی  $\eta_H = 1.05$  و ضریب و یک  $w = 0.2$  و تراست تولیدی پروانه  $12000$  نیوتن است. مقاومت کلی شناور چند کیلو نیوتن است؟

(۱)  $8.06$

(۲)  $10.08$

(۳)  $12.04$

(۴)  $24.4$

۹۷- مدل پروانه در سرعت پیشروی  $V_A = 0.6 \frac{m}{s}$  و دور  $120 \text{ rpm}$  دارای نسبت پیشروی (advance ratio)

$J = 0.75$  است. اگر ضریب تراست آن  $0.5$  باشد، نیروی تراست مدل پروانه چند نیوتن است؟  $(\rho = 1000 \frac{kg}{m^3})$

(۱) ۳۶٫۴

(۲) ۵۱٫۲

(۳) ۴۸٫۸

(۴) ۹۶

۹۸- یک کشتی دارای موتوری با گشتاور  $3 \text{ KN.m}$  و دور  $600 \text{ rpm}$  می‌باشد. اگر بازدهی گیربکس  $0.95$ ، بازدهی بدنه

$0.98$  و توان تراست  $130$  کیلووات باشد، توان ترمز، توان شفت و توان مؤثر به ترتیب (از راست به چپ) چند کیلووات است؟  $(\pi = 3)$

(۱)  $180 - 132 - 156$

(۲)  $165 - 240 - 178$

(۳)  $180 - 161 - 127.4$

(۴)  $360 - 240 - 264$

۹۹- پروانه یک شناور در سرعت پیشروی  $18 \frac{m}{s}$  و دور  $n = 600 \text{ rpm}$  دارای ضریب تراست  $K_T = 0.4$  و ضریب گشتاور

$K_Q = 0.06$  و راندمان  $\frac{2}{\pi}$  در آب آزاد (Open water) است. قطر پروانه چند متر است؟

(۱) ۲٫۴

(۲) ۳

(۳) ۳٫۲

(۴) ۴٫۸

۱۰۰- پتانسیل سرعت پیرامون یک شناور با رابطه  $\phi = x^2 y + 5y$  تعریف می‌شود. سرعت جریان در نقطه  $P(2, 3)$  چند متر بر ثانیه است؟

(۱) ۸

(۲) ۱۲

(۳) ۱۵

(۴) ۲۵

۱۰۱- برای محاسبه مقاومت یک کشتی با طول ۱۸۰ متر و سرعت ۲۰ گره دریایی، مدل آن ساخته شده است. مدل دارای طول ۵ متر، عرض ۰٫۸ متر و آبخور ۰٫۴ متر می‌باشد. عدد فرود برای آزمایش مدل کدام است؟

$$(g = 10 \frac{m}{s^2} \text{ و } 1 = 0.5 \frac{m}{s} \text{ گره دریایی})$$

$$(1) \frac{3\sqrt{5}}{18}$$

$$(2) \frac{\sqrt{18}}{18}$$

$$(3) \frac{\sqrt{18}}{\sqrt{5}}$$

$$(4) \frac{\sqrt{5}}{\sqrt{18}}$$

۱۰۲- توان مؤثر مورد نیاز برای آنکه شناوری با مقاومت کلی ۸۰۰ کیلونیوتن با سرعت ۲۰ گره دریایی در آب آرام حرکت نماید چند کیلووات است؟ ( $1 = 0.5 \frac{m}{s}$  گره دریایی)

$$(1) 4800$$

$$(2) 7200$$

$$(3) 9600$$

$$(4) 8000$$

۱۰۳- مدل یک کشتی با سرعت  $3 \frac{m}{s}$  در حوضچه کشش آزمایش شده و دارای مقاومت کلی ۶۵ نیوتن و مقاومت

اصطکاکی ۲۵ نیوتن می‌باشد. اگر کشتی دارای طول ۱۲۵ متر، عرض ۱۵ متر و سرعت  $15 \frac{m}{s}$  باشد، مقاومت

باقیمانده کششی ( $R_{RS}$ ) چند کیلو نیوتن است؟

$$(1) 625$$

$$(2) 750$$

$$(3) 1000$$

$$(4) 1600$$

۱۰۴- شناوری دارای طول ۱۰۰ متر، عرض ۱۵ متر، آبخور ۸ متر و  $C_B = 0.8$  می‌باشد. اگر مقاومت باقیمانده (Residuary resistance) مدل آن که دارای جابه‌جایی ۱٫۲ مترمکعب است برابر ۱۴ نیوتن باشد،

مقاومت باقیمانده شناور چند کیلونیوتن است؟

$$(1) 80$$

$$(2) 124$$

$$(3) 112$$

$$(4) 132$$



۱۰۵- شناوری با سرعت ۲۰ گره دریایی در آب عمیق حرکت می‌نماید. طول امواج عرضی ایجادشده چند متر است؟

$$g = 10 \frac{m}{s} \text{ و } v = 0.5 \frac{m}{s} \text{ (گره دریایی)}$$

$$\frac{10}{3\pi} \quad (1)$$

$$\frac{20}{\pi} \quad (2)$$

$$10\pi \quad (3)$$

$$20\pi \quad (4)$$

ساختمان کشتی:

۱۰۶- کدام جزء سازه‌ای در پهلویی کشتی و برخورد کشتی با اسکله انرژی برخورد را جذب می‌کند؟  
 (۱) Fender (۲) Bulwark (۳) Bilge keel (۴) Sheerstrake

۱۰۷- کدام جزء سازه‌ای در شرایط بارگذاری شاهتیر بدنه شرایط بحرانی تری دارد؟  
 (۱) ورق کف در شرایط بارگذاری hogging (۲) ورق کف در شرایط بارگذاری sagging  
 (۳) ورق عرشه در شرایط بارگذاری hogging (۴) ورق عرشه در شرایط بارگذاری sagging

۱۰۸- کدام گزینه در مورد چاه زنجیر **chain loker** نادرست است؟  
 (۱) در قسمت جلو کشتی قرار دارد.  
 (۲) ابعاد آن به جابه‌جایی کشتی بستگی دارد.  
 (۳) تقویت‌کننده‌ها در داخل آن قرار دارند.  
 (۴) از دو محفظه جدا از هم تشکیل شده است.

۱۰۹- در کشتی‌های حمل بار فله سنگین، بازرسی و تعمیر کدام جزء از اهمیت بیشتری برخوردار است؟  
 (۱) تقویت‌کننده‌های طولی (۲) پوشش کف انبارهای بار  
 (۳) پوشش دریچه‌ها Hatch cover (۴) تقویت‌کننده‌های داخل مخازن بالاست

۱۱۰- در کشتی‌هایی که بارهای ابعاد بزرگ و هندسه‌های نامنظم حمل می‌کنند، کدام سیستم سازه‌ای پرکاربردتر است؟  
 (۱) سیستم تقویت عرضی با تقویت‌کننده‌های طولی کوتاه  
 (۲) سیستم تقویت ترکیبی طولی و عرضی با تقویت‌کننده‌های طولی کوتاه  
 (۳) سیستم تقویت عرضی با تقویت‌کننده‌های عرضی کوتاه  
 (۴) سیستم تقویت طولی با تقویت‌کننده‌های عرضی کوتاه

۱۱۱- تفاوت بین **Side Transverse** و **Web frame** کدام است؟  
 (۱) web frame در ساختمان عرشه استفاده می‌شود و Side Trans در کناره استفاده می‌شود.  
 (۲) هیچ تفاوتی ندارند و هر دو در ساختمان کناره استفاده می‌شوند.  
 (۳) هر دو در ساختمان کناره استفاده می‌شود، Side Trans در حالت فریم‌بندی عرضی و web frame در حالت فریم‌بندی طولی  
 (۴) web frame در حالت فریم‌بندی عرضی Side Trans در حالت فریم‌بندی طولی و هر دو در ساختمان کناره استفاده می‌شوند.

- ۱۱۲- در یک شناور به عرض ۲۰ متر و ارتفاع ۱۵ متر، برای تقویت ورق جداره‌های داخلی عرضی کدام روش مناسب است؟  
 (۱) استفاده از ۳ عدد شاهتیر افقی  
 (۲) استفاده از تیرچه‌های افقی از کناره تا کناره  
 (۳) استفاده از تیرچه‌های عمودی از عرشه تا کف  
 (۴) استفاده از جوش پیوسته در اطراف و عرشه و کف
- ۱۱۳- یک کشتی به طول ۱۰۰ متر در آب آرام در حالت سگینگ بارگذاری شده است، هرگاه این شناور در دریای موج با طول موج‌های ۱۰ متر قرار گیرد، در این حالت گشتاور خمشی چگونه تغییر می‌کند؟  
 (۱) گشتاور خمشی تغییر نمی‌کند.  
 (۲) گشتاور خمشی سگینگ کاهش می‌یابد.  
 (۳) گشتاور خمشی سگینگ افزایش می‌یابد.  
 (۴) گشتاور خمشی بسته به موقعیت قله موج، تغییر می‌کند.
- ۱۱۴- هرگاه در ساخت یک کشتی در عرشه به جای استفاده از فولاد گرید AH۳۲ از فولاد گرید AH۳۶ استفاده شود در این صورت کدام مورد، صحیح است؟  
 (۱) ممان اینرسی و اساس مقطع تیر کشتی (Ship hull girder) تغییر نمی‌کند.  
 (۲) اساس مقطع و ممان اینرسی تیر کشتی (Ship hull girder) به نسبت ۳۶ به ۳۲ افزایش می‌یابد.  
 (۳) اساس مقطع تیر کشتی (Ship hull girder) به نسبت ۳۶ به ۳۲ افزایش یافته و ممان اینرسی تغییر نمی‌کند.  
 (۴) ممان اینرسی تیر کشتی (Ship hull girder) به نسبت ۳۶ به ۳۲ افزایش یافته و اساس مقطع تغییر نمی‌کند.
- ۱۱۵- در کدام یک از موارد زیر لازم است سیستم فریم‌بندی شناور تغییر کند؟  
 (۱) در یک شناور به طول ۱۰۰ متر و فریم‌بندی طولی هرگاه ارتفاع شناور افزایش یابد.  
 (۲) در یک شناور به طول ۱۰۰ متر و فریم‌بندی عرضی هرگاه طول شناور افزایش یابد.  
 (۳) در یک شناور به طول ۱۰۰ متر و فریم‌بندی طولی هرگاه طول شناور افزایش یابد.  
 (۴) در یک شناور به طول ۱۰۰ متر و فریم‌بندی عرضی هرگاه ارتفاع شناور افزایش یابد.
- ۱۱۶- در یک شناور General cargo که دارای یک انبار و دو Tween deck است، اتصال مناسب تیرچه‌های عمودی جداره داخلی در قسمت‌های مختلف چگونه است؟  
 (۱) در تمام قسمت‌ها از جوش مستقیم استفاده می‌شود.  
 (۲) در انبار از اتصال با براکت، در Tween deck وسط از جوش مستقیم و در Tween deck بالا بدون اتصال استفاده می‌شود.  
 (۳) در تمام قسمت‌ها باید از براکت استفاده شود.  
 (۴) در انبار از اتصال با براکت در Tween deck ها بدون اتصال
- ۱۱۷- کدام یک از مشخصات زیر به شناورهای Roll on - Roll off تعلق ندارد؟  
 (۱) جداره‌های داخلی  
 (۲) عرشه‌های متعدد  
 (۳) درب بزرگ در سینه یا پاشنه  
 (۴) رمپ‌های متعدد بین عرشه‌ها
- ۱۱۸- در یک بارج به طول ۱۰۰ متر و عرض و ارتفاع ۲۰ متر در حالت سبک گشتاور حداکثر در وسط برابر  $M = 10000$  کیلونیوتن متر در سگینگ است. تانک‌های شماره ۱ و ۵ چند متر در جهت قائم با آب دریا پر شوند تا گشتاور صفر شود؟  $(\gamma_w = 10 \text{ KN/m}^3)$
- |  |   |   |   |   |  |
|--|---|---|---|---|--|
| ۱  | ۲ | ۳ | ۴ | ۵ |  |
| $H = B = 20 \text{ m}$   |   |   |   |   |  |
| $\times \quad \times \quad \times \quad \times \quad \times$<br>$20 \text{ m} \quad 20 \text{ m} \quad 20 \text{ m} \quad 20 \text{ m} \quad 20 \text{ m}$ |   |   |   |   |  |
- (۱) ۰٫۱۳۳  
 (۲) ۰٫۳۳۳  
 (۳) ۱٫۳۳۳  
 (۴) ۲٫۳۳۳

۱۱۹- در محاسبه تنش‌های اولی یک کشتی کدام یک از کمیت‌های زیر تأثیر ندارد؟

- (۱) ضخامت ورق شاهتیرهای طولی عرشه  
 (۲) محل قرارگیری تیرچه‌های طولی عرشه  
 (۳) ضخامت ورق عرشه  
 (۴) ارتفاع تیرچه‌های طولی عرشه

۱۲۰- در ساختمان کشتی منظور از **rider plate** کدام است؟

- (۱) ورق زیر ستون در انبار است.  
 (۲) ورق بالای ستون در انبار است.  
 (۳) همان فلنج شاهتیر مرکزی در کف تک جداره  
 (۴) ورق در زیر موتور و سایر ماشین آلات است.









