

کد کنترل

456

E

## آزمون ورودی دوره‌های کارشناسی ارشد ناپیوسته داخل - سال ۱۴۰۱

صبح چهارشنبه

۱۴۰۱/۰۲/۲۸



«اگر دانشگاه اصلاح شود مملکت اصلاح می‌شود.»  
امام خمینی (ره)

جمهوری اسلامی ایران  
وزارت علوم، تحقیقات و فناوری  
سازمان سنجش آموزش کشور

### اقیانوس‌شناسی فیزیکی (کد ۱۲۱۷)

زمان پاسخ‌گویی: ۲۱۰ دقیقه

تعداد سؤال: ۹۰

جدول مواد امتحانی، تعداد و شماره سؤال‌ها

ردیف	مواد امتحانی	تعداد سؤال	از شماره	تا شماره
۱	زبان عمومی و تخصصی (انگلیسی)	۳۰	۱	۳۰
۲	فیزیک	۳۰	۳۱	۶۰
۳	ریاضی	۳۰	۶۱	۹۰

این آزمون نمره منفی دارد.

استفاده از ماشین حساب مجاز نیست.

\* متقاضی گرامی، وارد نکردن مشخصات و امضا در کادر زیر، به منزله غیبت و حضور نداشتن در جلسه آزمون است.

اینجانب ..... با شماره داوطلبی ..... با آگاهی کامل، یکسان بودن شماره صندلی خود را با شماره داوطلبی مندرج در بالای کارت ورود به جلسه، بالای پاسخنامه و دفترچه سؤال‌ها، نوع و کد کنترل درج شده بر روی دفترچه سؤال‌ها و پایین پاسخنامه‌ام را تأیید می‌نمایم.

امضا:

زبان عمومی و تخصصی (انگلیسی):

### PART A: Vocabulary

*Directions: Choose the word or phrase (1), (2), (3), or (4) that best completes each sentence. Then mark the answer on your answer sheet.*

- 1- Growing older and more decrepit appeared to be an ----- and necessary part of being human.  
1) inevitable      2) intangible      3) unforeseeable      4) unsentimental
- 2- I don't really think I'd have the ----- to finish a marathon!  
1) concern      2) candor      3) endurance      4) autonomy
- 3- Her marriage started to improve once her husband finally ----- he had an anger problem and began to take counseling.  
1) identified      2) emerged      3) hesitated      4) acknowledged
- 4- Society is an interdependent system that ----- widespread cooperation to function.  
1) proceeds      2) requires      3) fascinates      4) conveys
- 5- Our blue planet is a ----- . Life depends on water, yet in its natural form, the water in the oceans will not sustain us because we cannot drink salt water.  
1) refuge      2) remedy      3) paradox      4) vacillation
- 6- I thought I was buying a/an ----- native Indian carving, but discovered later that it was machine-made.  
1) genuine      2) definitive      3) secretive      4) artificial
- 7- The entrepreneur had a well-deserved reputation for -----, having accurately anticipated many changes unforeseen by established business leaders.  
1) modesty      2) hindsight      3) prescience      4) extroversion
- 8- Studies of longevity among turtles are sometimes ----- by the fact that the subjects live so long that researchers retire before the studies can be completed.  
1) stabilized      2) hampered      3) diversified      4) verified
- 9- Kevlar is a ----- new material which is used for everything from airplane wings, to bullet-proof vests, to hockey sticks.  
1) prescriptive      2) versatile      3) dormant      4) derivative
- 10- If exploitation of the planet's resources continues as at present, then the lifestyle we currently enjoy ----- the risk of causing significant damage to the world.  
1) proposes      2) puts      3) shapes      4) runs



**PART B: Cloze Test**

**Directions:** Read the following passage and decide which choice (1), (2), (3), or (4) best fits each space. Then mark the correct choice on your answer sheet.

Scientists and philosophers have been grappling with the relationship between language and thought for centuries. There have always been (11) ----- that our picture of the Universe depends on our native tongue. Since the 1960s, however, (12) ----- the ascent of thinkers like Noam Chomsky, and a host of cognitive scientists, (13) ----- that linguistic differences don't really matter, (14) ----- language is a universal human trait, and that our ability to talk to one another owes more to our shared genetics (15) ----- . But now the pendulum is beginning to swing the other way as psychologists re-examine the question.

- |     |                                |                                 |         |         |
|-----|--------------------------------|---------------------------------|---------|---------|
| 11- | 1) that they argue             | 2) those who argue              |         |         |
|     | 3) an argument by those        | 4) arguing those who            |         |         |
| 12- | 1) with                        | 2) for                          | 3) by   | 4) in   |
| 13- | 1) whose consensus             | 2) who has the consensus        |         |         |
|     | 3) the consensus has been      | 4) is the consensus             |         |         |
| 14- | 1) a                           | 2) the                          | 3) what | 4) that |
| 15- | 1) and our cultures vary       | 2) than to our varying cultures |         |         |
|     | 3) than our cultures that vary | 4) as to our varying cultures   |         |         |

**PART C: Reading Comprehension**

**Directions:** Read the following three passages and answer the questions by choosing the best choice (1), (2), (3), or (4). Then mark the correct choice on your answer sheet.

**PASSAGE 1:**

New research may provide a breakthrough for scientists to understand life in the harshest of environments. Scientists from Bigelow Laboratory for Ocean Sciences studied microorganisms from an underwater mountain in the Atlantic Ocean, pioneering a method that could open new windows into our understanding of how life survives deep under the sea – or in space.

The crustal rock beneath the ocean floor is one of the largest regions on Earth that can support life. Inside the pores and fractures of rocks are little-understood microorganisms that influence global-scale nutrient cycles. Now, researchers have developed and demonstrated a new method to study them. They recently published their results in *mBio*, an online journal of the American Society of Microbiology. "Most microbial life on Earth is in the subsurface," said Senior Research Scientist Beth Orcutt, the senior author on the paper. "In order to understand how life has evolved on Earth, how organisms have survived for millennia, you have to look at the subsurface: a huge reservoir of life."

The researchers looked at microbes from Atlantis Massif, a 2.5-mile-high underwater mountain near the Mid-Atlantic Ridge. The region is thought to be an

analog for how life may exist on other planets and moons, such as Europa and Enceladus. On top of Atlantis Massif, there is a region called Lost City, which teems with life feeding off of activity from hydrothermal vents. NASA and other institutions are interested in these systems as a model for the origin of life and how organisms survive in harsh environments. Away from the busy ecosystem of Lost City, life still exists in the rock.

“Even though there is low biomass in crustal rock, its sheer volume makes it one of the most significant biological habitats of the planet,” said lead author Jacqueline Goordial, who completed the research as a postdoctoral scientist at Bigelow Laboratory.

- 16- Which of the following best describes the main idea of the passage?**
- 1) New research opens window into life below the seafloor.
  - 2) Scientists at Bigelow Laboratory for Ocean Sciences study the ocean floor.
  - 3) A recent study was published in an online journal of the American Society of Microbiology.
  - 4) Scientists understand life in the harshest of environments in laboratories.
- 17- According to Beth Orcutt, in order to understand how life has evolved on Earth, we have to look at -----.**
- 1) a region called Lost City
  - 2) the subsurface of the oceans
  - 3) the crustal rock below the mountains
  - 4) creatures that have survived for millennia
- 18- The word “them” in paragraph 2 refers to -----.**
- 1) the largest regions
  - 2) global-scale nutrient cycles
  - 3) the pores and fractures
  - 4) little-understood microorganisms
- 19- Which of the following statements is true about Atlantis Massif?**
- 1) It has been located by NASA.
  - 2) It is above the Lost City.
  - 3) It is similar to Enceladus in terms of shape.
  - 4) It is a 2.5-mile-high underwater mountain.
- 20- Where does the following sentence best fit into the passage?**  
**There, microbes are spread out in low concentrations, which makes them difficult to study by examining a few rock samples at a time.**
- 1) End of paragraph 1
  - 2) End of paragraph 2
  - 3) End of paragraph 3
  - 4) End of paragraph 4

**PASSAGE 2:**

The Dead Sea is shrinking. There are many reasons for this: climate change is a contributing factor, as is human overuse of water as a resource. The sinking water level has a number of dangerous consequences. For example, fresh groundwater flowing downstream causes salts to dissolve in the soil, resulting in sinkholes. But it also leads to large-scale subsidence of the surrounding land surface. Researchers from an interdisciplinary team of several sections from the GFZ German Research Centre for Geosciences, together with colleagues from Hannover, Kiel and Padua, have now



for the first time demonstrated a direct link between the decrease in the water table, evaporation and land subsidence. They report on this in the journal Scientific Reports.

The team used a wide range of instruments; from measurement methods based on the Global Navigation Satellite System (GNSS) to radar satellites and on-site gauge and climate stations. The researchers showed that the solid earth moves up and down synchronously with fluctuations in the water surface and groundwater level with a time lag of about eight weeks.

The water level of the Dead Sea sinks about one meter per year, and the land sinks about 15 centimeters per year. Inflows from rainfall in the surrounding mountains and the Jordan River cause short-term rises in the lake level. However, water withdrawals from the tributaries for agriculture, pumping of saline water to extract potassium, and evaporation in the high heat turn the balance permanently negative.

The coupling of land subsidence to the sinking water table has long been clear. But the fact that the movement of the land surface is so directly related to hydro-meteorological fluctuations is new. The researchers determined this connection within three years. For agriculture, tourism and infrastructure in the region, land subsidence and water loss are very threatening. The measurements show for the first time how closely land, water and atmosphere are linked here.

**21- What is the passage mainly about?**

- 1) Climate change as a contributing factor to the environmental problem
- 2) Fresh groundwater flowing downstream
- 3) Human overuse of water as a resource
- 4) Shrinkage of the Dead Sea and its consequences

**22- According to the passage, the interdisciplinary team of researchers from the GFZ German Research Centre for Geosciences are collaborating with colleagues from all of the following cities EXCEPT -----.**

- 1) Hamburg
- 2) Kiel
- 3) Hannover
- 4) Padua

**23- The research findings of the GFZ German Research Centre for Geosciences show a direct link between -----.**

- 1) the decrease in the water table, evaporation, and land subsidence
- 2) the increase in the water table, water resources, and the sinking level
- 3) the decrease in the water table, evaporation, and the sinkholes
- 4) water resources, evaporation, and land subsidence

**24- The passage refers to all of the following factors canceling out short-term rises in the lake level EXCEPT -----.**

- 1) evaporation in the high heat
- 2) on-site gauge and climate stations
- 3) pumping of saline water to extract potassium
- 4) water withdrawals from the tributaries for agriculture

**25- Where does the following sentence best fit into the passage?**

**However, the trend is clearly in one direction: downward.**

- 1) End of paragraph 1
- 2) End of paragraph 2
- 3) End of paragraph 3
- 4) End of paragraph 4



**PASSAGE 3:**

The world's oceans are a vast repository for gases including ozone-depleting chlorofluorocarbons, or CFCs. They absorb these gases from the atmosphere and draw them down to the deep, where they can remain sequestered for centuries and more.

Marine CFCs have long been used as tracers to study ocean currents, but their impact on atmospheric concentrations was assumed to be negligible. Now, MIT researchers have found the oceanic fluxes of at least one type of CFC, known as CFC-11, do in fact affect atmospheric concentrations. In a study appearing in the *Proceedings of the National Academy of Sciences*, the team reports that the global ocean will reverse its longtime role as a sink for the potent ozone-depleting chemical.

The researchers project that by the year 2075, the oceans will emit more CFC-11 back into the atmosphere than they absorb, emitting detectable amounts of the chemical by 2130. Further, with increasing climate change, this shift will occur 10 years earlier. The emissions of CFC-11 from the ocean will effectively extend the chemical's average residence time, causing it to linger five years longer in the atmosphere than it otherwise would. This may impact future estimations of CFC-11 emissions.

"By the time you get to the first half of the 22nd century, you'll have enough of a flux coming out of the ocean that it might look like someone is cheating on the Montreal Protocol, but instead, it could just be what's coming out of the ocean," says study co-author Susan Solomon, the Lee and Geraldine Martin Professor of Environmental Studies in MIT's Department of Earth, Atmospheric and Planetary Sciences. "It's an interesting prediction and hopefully will help future researchers avoid getting confused about what's going on."

**26- Which of the following best describes the main idea of the passage?**

- 1) Scientists are worried about the detrimental effects of ozone-depleting chlorofluorocarbons.
- 2) Scientists predict how oceans will look like in the first half of the 22nd century.
- 3) Researchers have published a book that will help future scientists avoid getting confused about the oceans.
- 4) MIT Study predicts the oceans will start emitting ozone-depleting CFCs.

**27- Which of the following statements is true?**

- 1) The increasing climate change will shorten the chemical's average residence time in the oceans.
- 2) CFC-11 is the only chemical that the world oceans release.
- 3) The oceans will emit detectable amounts of CFC-11 by 2130.
- 4) CFC-11 will remain the world oceans for only five more years.

**28- The word "sequestered" in paragraph 1 is similar in meaning to -----.**

- 1) suspended
- 2) exposed
- 3) hidden
- 4) swollen

**29- The word "their" in paragraph 2 refers to -----.**

- 1) tracers
- 2) marine CFCs
- 3) ocean currents
- 4) concentrations

**30- Where does the following sentence best fit into the passage?**

**The new results may help scientists and policymakers better pinpoint future sources of the chemical, which is now banned worldwide under the Montreal Protocol.**

- 1) End of paragraph 1
- 2) End of paragraph 2
- 3) End of paragraph 3
- 4) End of paragraph 4

## فیزیک:

۳۱- ذره‌ای در یک مسیر مستقیم با شتاب متغیر در زمان  $a(t) = a_0 \left(1 - \frac{t^2}{4}\right)$  در حرکت است که  $a_0$  ضریبی ثابت و  $t$

بر حسب ثانیه است. شتاب متوسط ذره از لحظه  $t = 0$  تا  $t = 2s$  کدام است؟

(۱)  $\frac{2}{3}a_0$

(۲)  $\frac{1}{2}a_0$

(۳)  $\frac{1}{4}a_0$

(۴)  $\frac{1}{3}a_0$

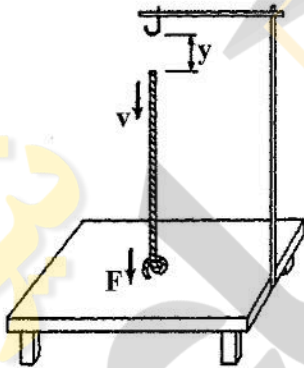
۳۲- یک طناب با چگالی جرمی طولی یکنواخت  $\lambda$  از یک تکیه‌گاه به‌طور قائم آویزان است به‌طوری که انتهای دیگر آن با یک میز افقی در تماس است. اگر این طناب از تکیه‌گاه خود رها شود، در زمانی که طول  $y$  از طناب سقوط کرده و روی میز قرار گرفته چه نیرویی از طرف طناب به میز وارد می‌شود؟

(۱)  $\frac{3}{2}\lambda gy$

(۲)  $2\lambda gy$

(۳)  $\lambda gy$

(۴)  $3\lambda gy$



۳۳- دو گلوله کاملاً کشسان به جرم‌های  $40g$  و  $60g$  به ترتیب با تندی  $5m/s$  و  $3m/s$  در یک راستا و در جهت مخالف هم در حرکت هستند. پس از برخورد روی در روی این دو گلوله، تندی گلوله سنگین‌تر چند  $m/s$  است؟

(۱)  $6/6$

(۲)  $4/6$

(۳)  $5/4$

(۴)  $3/4$

۳۴- اگر فاصله زمین تا خورشید  $m \times 10^{11} / 1$  باشد، سرعت خطی زمین به دور خورشید تقریباً چند  $m/s$  است؟

(۱)  $5 \times 10^3$

(۲)  $3 \times 10^4$

(۳)  $2 \times 10^9$

(۴)  $1 \times 10^7$

۳۵- ممان اینرسی یک کره توپر یکنواخت به جرم  $M$  و شعاع  $R$  حول محوری که از مرکز آن می‌گذرد برابر  $\frac{2}{5}MR^2$  است.

است. ممان اینرسی این کره حول محوری که مماس بر کره باشد، کدام است؟

$$(1) \frac{3}{2}MR^2$$

$$(2) \frac{2}{3}MR^2$$

$$(3) \frac{7}{5}MR^2$$

$$(4) \frac{3}{5}MR^2$$

۳۶- جسمی به جرم  $200\text{g}$  به انتهای یک فنر سبک به طول آزاد  $30\text{cm}$  و ثابت فنر  $9\text{N/m}$  متصل است. انتهای دیگر فنر در دست شخصی است که این مجموعه را با سرعت زاویه‌ای  $3\text{rad/s}$  در یک صفحه افقی می‌چرخاند. شعاع دوران جسم چند  $\text{cm}$  است؟

$$(1) 37,5$$

$$(2) 43,3$$

$$(3) 51,7$$

$$(4) 64,7$$

۳۷- یک چرخ با ممان اینرسی  $I = 20\text{kg}\cdot\text{m}^2$  با بسامد اولیه ۴ دور در ثانیه حول محورش به دوران در می‌آید. این چرخ بر اثر اصطکاک پس از ۴۰ دور چرخش، متوقف می‌شود. متوسط گشتاور نیروی اصطکاک چند  $\text{N}\cdot\text{m}$  است؟

$$(1) 50,26$$

$$(2) 25,13$$

$$(3) 2,0$$

$$(4) 4,0$$

۳۸- ضریب فشردگی آب  $5 \times 10^{-10}\text{m}^2/\text{N}$  است. اگر  $200\text{cm}^3$  آب، تحت فشار  $30\text{MPa}$  قرار گیرد چند  $\text{cm}^3$  از حجم آن کاهش می‌یابد؟

$$(1) 7,5$$

$$(2) 3,0$$

$$(3) 3,0 \times 10^{-3}$$

$$(4) 7,5 \times 10^{-3}$$



۳۹- قطاری بر روی مسیر مستقیم افقی با شتاب  $\frac{g}{5}$  در حرکت است. ظرف مایعی روی میز رستوران این قطار قرار دارد. زاویه‌ای که سطح آزاد این مایع با سطح افق می‌سازد کدام است؟

$$\cot^{-1}\left(\frac{1}{5}\right) \quad (1)$$

$$\sin^{-1}\left(\frac{1}{5}\right) \quad (2)$$

$$\tan^{-1}\left(\frac{1}{5}\right) \quad (3)$$

(۴) صفر

۴۰- درون ظرفی یک مایع با چگالی  $3/4 \text{ g/cm}^3$  روی مایع دیگری با چگالی  $11/4 \text{ g/cm}^3$  قرار دارد. مکعبی به ضلع  $10 \text{ cm}$  از جنس آهن در حالت تعادل و عمودی در مرز مشترک دو مایع جای دارد. چه ارتفاعی از مکعب بر حسب سانتی‌متر درون مایع با چگالی کمتر قرار دارد؟ (چگالی آهن  $7/8 \text{ g/cm}^3$  است.)

$$2/4 \quad (1)$$

$$1/8 \quad (2)$$

$$4/5 \quad (3)$$

$$5/5 \quad (4)$$

۴۱- یک فواره آب را تا ارتفاع  $10 \text{ m}$  به بالا پرتاب می‌کند. اگر سطح مقطع دهانه خروجی فواره  $8 \text{ cm}^2$  باشد، در یک دقیقه چند لیتر آب از فواره خارج می‌شود؟

$$(g = 9/8 \text{ m/s}^2)$$

$$1120 \quad (1)$$

$$4800 \quad (2)$$

$$14000 \quad (3)$$

$$67200 \quad (4)$$

۴۲- اگر میله استاندارد به طول یک متر و از جنس آهن بود، بیشینه تغییرات دمایی که طول میله تا دقت یک در ده میلیون حفظ می‌شود، بر حسب  $^{\circ}\text{C}$  کدام است؟ (ضریب انبساط طولی آهن  $1/2 \times 10^{-5} \text{ }^{\circ}\text{C}^{-1}$  است.)

$$\pm 8/3 \times 10^{-3} \quad (1)$$

$$\pm 8/3 \times 10^{-2} \quad (2)$$

$$\pm 1/2 \times 10^{-3} \quad (3)$$

$$\pm 1/2 \times 10^{-2} \quad (4)$$

۴۳- گرمای ویژه یک گلوله  $10$  گرمی برابر  $800 \text{ J/kg}\cdot\text{K}$  و دمای ذوب آن  $420^{\circ}\text{C}$  است. کمینه تندی گلوله باید چند  $\text{m/s}$  باشد، تا پس از برخورد به هدف، ذوب شود؟ (گرمای نهان ذوب گلوله  $63 \text{ kJ/kg}$  و دمای اولیه آن  $20^{\circ}\text{C}$  است.)

$$566 \quad (1)$$

$$800 \quad (2)$$

$$619 \quad (3)$$

$$875 \quad (4)$$

۴۴- گازی ایدئال در دمای  $27^{\circ}\text{C}$  و فشار  $5\text{ atm}$  است. اگر جرم یک کیلومول از این گاز برابر  $16\text{ kg}$  باشد، چگالی این

گاز چند  $\text{kg/m}^3$  است؟ (ثابت عمومی گازها  $8/3\text{ J/mol}\cdot\text{K}$  است.)

(۱)  $35/7$

(۲)  $3/1$

(۳)  $3/1 \times 10^{-3}$

(۴)  $3/1 \times 10^{-5}$

۴۵- اگر محتمل‌ترین تندی برای بخار جیوه در دمای  $300^{\circ}\text{C}$  برابر  $200\text{ m/s}$  باشد، در همین دما محتمل‌ترین تندی برای مولکول‌های نیتروژن ( $\text{N}_2$ ) تقریباً چند  $\text{m/s}$  است؟ (جرم مولی عنصرهای نیتروژن و جیوه به ترتیب  $14\text{ g/mol}$  و

$200\text{ g/mol}$  است.)

(۱)  $535$

(۲)  $760$

(۳)  $1430$

(۴)  $2857$

۴۶- درون بالونی گاز هلیوم در حجم  $2\text{ m}^3$ ، فشار  $3\text{ atm}$  و دمای  $20^{\circ}\text{C}$  وجود دارد. این گاز در فشار ثابت سرد شده تا

حجم آن به  $1/5\text{ m}^3$  می‌رسد. تقریباً چند کیلو ژول انرژی حرارتی در این فرایند مبادله شده است؟

(۱)  $225$

(۲)  $525$

(۳)  $375$

(۴)  $450$

۴۷- یک ماشین کارنو میان دو چشمه گرمایی با دماهای  $67^{\circ}\text{C}$  و  $527^{\circ}\text{C}$  کار می‌کند. بازده این ماشین چند درصد است؟

(۱)  $12/7$

(۲)  $42/5$

(۳)  $57/5$

(۴)  $87/3$

۴۸- یک گاز ایدئال توسط یک پیستون درون یک استوانه مقید شده است. پیستون به آرامی به سمت داخل چنان

حرکت داده می‌شود که دمای گاز در  $27^{\circ}\text{C}$  ثابت بماند. اگر بر روی گاز انجام شود، آنتروپی گاز

بر حسب  $\text{J/K}$  چقدر تغییر می‌کند؟

(۱)  $-1/8$

(۲)  $1/8$

(۳)  $-20$

(۴)  $20$



۴۹- معادله موجی به شکل  $y = 6 \sin[30\pi(2t - (x/120))]$  است که در آن  $x$  و  $y$  برحسب سانتی‌متر و  $t$  برحسب ثانیه است. طول موج و سرعت انتشار این موج کدامند؟

(۱)  $120 \text{ cm/s}$ ،  $240\pi \text{ cm}$

(۲)  $240 \text{ cm/s}$ ،  $240\pi \text{ cm}$

(۳)  $120 \text{ cm/s}$ ،  $8 \text{ cm}$

(۴)  $240 \text{ cm/s}$ ،  $8 \text{ cm}$

۵۰- اگر متوسط تراز صوتی در یک اتاق برای هر فرد  $30 \text{ dB}$  باشد، در حالتی که ۸ نفر هم‌زمان در این اتاق مشغول صحبت باشند تراز صوتی چند  $\text{dB}$  خواهد بود؟ (فرض کنید هر فرد در میان این جمع در همان تراز صحبت می‌کند که یک فرد تنها.)

( $\log 2 = 0.3$ )

(۱) ۳۹

(۲) ۷۸

(۳) ۱۱۰

(۴) ۲۴۰

۵۱- بردار مکان نقطه  $A$  نسبت به ناظر آزمایشگاه  $\vec{r} = 2\hat{i} - 3\hat{j} + 6\hat{k}$  است (مولفه‌های  $\vec{r}$  برحسب متر است). اگر پتانسیل الکتریکی در فضای اطراف نقطه  $A$  در سیستم واحدهای  $\text{SI}$  به شکل  $V = -8x^2 + 3xy + 6z^2$  باشد. بردار میدان الکتریکی در نقطه  $A$  کدام است؟

(۱)  $\vec{E} = -23\hat{i} + 6\hat{j} + 12\hat{k}$

(۲)  $\vec{E} = 23\hat{i} + 9\hat{j} - 12\hat{k}$

(۳)  $\vec{E} = -41\hat{i} - 9\hat{j} + 72\hat{k}$

(۴)  $\vec{E} = 41\hat{i} - 6\hat{j} - 72\hat{k}$

۵۲- یک کره فلزی به شعاع  $2 \text{ cm}$  از یک نخ پلاستیکی بلند آویزان است. میدان الکتریکی در سطح کره برابر  $3 \text{ MV/m}$  است. پتانسیل الکتریکی کره کدام است؟

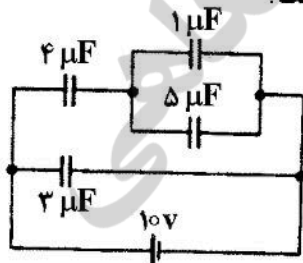
(۱)  $60 \text{ kV}$

(۲)  $1200 \text{ V}$

(۳)  $6 \text{ MV}$

(۴)  $12 \text{ MV}$

۵۳- در شکل زیر، بار الکتریکی روی صفحات خازن به ظرفیت  $4 \mu\text{F}$  چند میکروکولن است؟



(۱)  $41/5$

(۲)  $30/10$

(۳)  $16/2$

(۴)  $24/10$

۵۴- در یک سیکلوترون هسته‌های هیدروژن سنگین (دوترون) با بار الکتریکی  $+e$  و جرم  $3.3 \times 10^{-27} \text{ kg}$  شتاب می‌گیرند. اگر میدان مغناطیسی دستگاه  $2 \text{ T}$  باشد، فرکانس میدان الکتریکی متناوب لازم چقدر است؟

(۱)  $15.9 \text{ MHz}$

(۲)  $100 \text{ MHz}$

(۳)  $15.9 \text{ kHz}$

(۴)  $100 \text{ kHz}$

۵۵- در ناحیه‌ای از فضا میدان مغناطیسی  $\vec{B} = -5\hat{i} + 4\hat{k}$  (بر حسب گاوس) وجود دارد. اندازه شار مغناطیسی که

از حلقه تخت واقع در صفحه  $x-y$  به مساحت  $8 \text{ cm}^2$  می‌گذرد چند میکرو وبر است؟

(۱)  $40$

(۲)  $32$

(۳)  $8$

(۴)  $72$

۵۶- شرط یا شرایط لازم برای آن که نیروی وارد بر یک حلقه جریان از طرف یک میدان مغناطیسی همواره صفر باشد، کدام است؟

(۱) باید میدان مغناطیسی همگن و حلقه جریان در یک صفحه باشد.

(۲) فقط باید میدان مغناطیسی همگن باشد ولی حلقه به هر شکلی می‌تواند باشد.

(۳) باید میدان مغناطیسی همگن و ثابت در زمان و حلقه جریان در یک صفحه باشد.

(۴) باید میدان مغناطیسی همگن و ثابت در زمان باشد ولی حلقه به هر شکلی می‌تواند باشد.

۵۷- دو مدار الکتریکی با خودالقایی متقابل  $36 \text{ mH}$  در نظر بگیرید. اگر در یکی از دو مدار در مدت زمان  $9 \text{ ms}$  جریان از  $30 \text{ A}$  به  $3 \text{ A}$  تغییر کند، مقدار متوسط نیروی محرکه القایی در مدار دیگر چند ولت است؟

(۱)  $108$

(۲)  $12$

(۳)  $8/3$

(۴)  $0/11$

۵۸- یک چشمه نورانی نقطه‌ای تک‌رنگ  $1500 \text{ W}$  به طور یکسان در تمام جهت‌ها تابش می‌کند. دامنه میدان الکتریکی این نور در فاصله  $4 \text{ m}$  از چشمه چند  $\text{V/m}$  است؟

$(\mu_0 = 4\pi \times 10^{-7})$

(۱)  $6 \times 10^3$

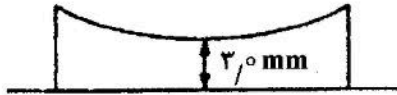
(۲)  $1/2 \times 10^4$

(۳)  $75$

(۴)  $106$



۵۹- یک عدسی مقعر - تخت با ضریب شکست  $1/5$  و شعاع  $80\text{ cm}$  مطابق شکل زیر بر روی یک برگه قرار داده می‌شود. روی این برگه یک لکه دایره‌ای شکل به شعاع  $2\text{ mm}$  وجود دارد. در حالتی که مستقیماً از بالا به این لکه نگاه شود، چند میلی‌متر بالاتر از مکان واقعی رویت می‌شود؟

(۱)  $270$ (۲)  $170$ (۳)  $570$ (۴)  $275$ 

۶۰- ضریب شکست یک لایه نازک صابون برابر  $1/4$  است. کمترین ضخامت این لایه چند نانومتر باشد تا هنگامی که نور با طول موج  $630\text{ nm}$  به‌طور عمودی بر آن بتابد، تداخل سازنده رخ دهد؟

(۱)  $150$ (۲)  $450$ (۳)  $225$ (۴)  $112/5$ ریاضی:

۶۱- فرض کنیم  $A = \{(x, y) \mid |x| \leq 2, |y| \leq 1\}$  و  $B = \{(x, y) \mid |x| + |y| \leq 3\}$ . مساحت ناحیه ایجاد شده توسط نقاط واقع در مجموعه  $B - A$  در صفحه مختصات، کدام است؟

(۱)  $4$ (۲)  $10$ (۳)  $12$ (۴)  $16$ 

۶۲- حاصل عبارت  $\left| \frac{(i + \sqrt{3})^{12} (\sqrt{2} - \sqrt{2}i)^3}{(2i)^{18}} \right|$ ، کدام است؟

(۱)  $1$ (۲)  $\frac{1}{2}$ (۳)  $\frac{1}{4}$ (۴)  $\frac{1}{8}$

۶۳- برد تابع  $f(x) = \frac{1}{\sqrt[3]{\frac{x}{2} + 9 \ln \sqrt{x^4 + e}}}$  کدام است؟

(۱)  $(0, \frac{1}{2}]$

(۲)  $[\sqrt{\frac{2}{7}}, 1]$

(۳)  $(0, \sqrt{\frac{2}{7}}]$

(۴)  $(0, 1]$

۶۴- فرض کنید معادله  $(3m-2)x^4 - (m+2)x^2 + 1 = 0$  دارای دو ریشه مضاعف  $\alpha$  و دو ریشه مضاعف  $-\alpha$  باشد. کوچکترین مقدار  $\alpha^2 + m$  کدام است؟

(۱)  $\frac{9}{4}$

(۲)  $\frac{5}{2}$

(۳)  $\frac{25}{4}$

(۴)  $\frac{13}{2}$

۶۵- تعداد نقاط ناپیوستگی تابع  $f(x) = \frac{\sqrt{1 + \sin 2x}}{\sqrt{x^2 + 1} - \sqrt{x + 3}}$  در دامنه  $[0, \infty)$  کدام است؟

(۱) صفر

(۲) یک

(۳) دو

(۴) بی‌شمار

۶۶- جواب معادله  $5 \log(x) - 1 = 3 \log(x) + 1 - 5 \log(x) - 1$ ، کدام است؟  $(\log(x) = \log_{10}(x))$

(۱) ۵

(۲) ۱۰

(۳) ۵۰

(۴) ۱۰۰

۶۷- تعداد ریشه‌های حقیقی معادله  $x = \ln(x+4)$ ، کدام است؟

(۱) ۴

(۲) ۲

(۳) ۱

(۴) صفر



۶۸- دامنه تابع  $f(x) = e^{-\ln(\sqrt[3]{x^2-5x+4})}$  کدام است؟

(۱)  $(-\infty, 3)$

(۲)  $(-\infty, 1) \cup (3, \infty)$

(۳)  $(-\infty, 1) \cup (3, 4)$

(۴)  $(-\infty, 3) \cup (3, 4)$

۶۹- فرض کنید  $\lim_{|x| \rightarrow \infty} \frac{(ax^{2m} + 1)(x - 4)}{|x|^{m+5}} = 3$ . تعداد جواب‌های ممکن برای  $(a, m)$  کدام است؟

(۱) صفر

(۲) ۱

(۳) ۲

(۴) ۴

۷۰- تعداد نقاط ناپیوستگی تابع  $f(x) = \lim_{n \rightarrow \infty} \frac{x^{2n+1} - 1}{x^{2n} + 1}$ ,  $n \in \mathbb{N}$  کدام است؟

(۱) صفر

(۲) ۱

(۳) ۲

(۴) بی‌شمار

۷۱- تعداد مجانب‌های تابع  $f(x) = \frac{\ln(e^x + 2)}{x^2 - 2}$  کدام است؟

(۱) ۱

(۲) ۲

(۳) ۳

(۴) ۴

۷۲- تعداد نقاط بحرانی تابع  $f(x) = \cos(2x) - \frac{1}{\sin(x)}$  در بازه  $(\frac{\pi}{8}, \frac{7\pi}{8})$  کدام است؟  $(\sqrt[3]{2} = 1,25)$

(۱) ۱

(۲) ۲

(۳) ۳

(۴) ۴

۷۳- اگر فاصله دو نقطه عطف منحنی  $y = 6e^{ax^2} + 4$  برابر ۳ باشد، مقدار  $a$  کدام است؟

(۱)  $-\frac{1}{18}$

(۲)  $-\frac{2}{9}$

(۳)  $\frac{1}{9}$

(۴) هیچ مقداری وجود ندارد.

۷۴- فرض کنید  $f(x) = 3^{\log_2 x}$ . شیب خط مماس بر  $f^{-1}(x)$  به طول  $x = 3$  واقع بر آن کدام است؟

(۱)  $\frac{3}{\ln 2}$

(۲)  $\frac{\ln 4}{\ln 9}$

(۳)  $\frac{3}{\ln 4}$

(۴)  $\frac{\ln 4}{\ln 27}$

۷۵- جواب کدام معادله دیفرانسیلی، منحنی بیضی شکل  $\frac{x^2}{a^2} + \frac{y^2}{b^2} = 1$  است؟

(۲)  $xy' = y(y'^2 + yy'')$

(۱)  $yy' = x(y'^2 + yy'')$

(۴)  $xy'' - xy'^2 = 0$

(۳)  $xy'' = y(y'^2 + y)$

۷۶- فرض کنید  $f(x) = \frac{x}{x^2 - 1}$ . مقدار  $f^{(85)}(0)$  کدام است؟

(۲)  $85!$

(۱)  $-\frac{1}{2}(85!)$

(۴)  $-85!$

(۳)  $\frac{1}{2}(85!)$

۷۷- اگر  $0 < x < \frac{\pi}{2}$  باشد، حداقل مقدار تابع  $f(x) = \sin^2 x + \cos^2 x + \sec^2 x + \csc^2 x$  کدام است؟

$(\sec x = \frac{1}{\cos x}, \csc x = \frac{1}{\sin x})$

(۱)  $7/5$

(۲)  $8$

(۳)  $8/5$

(۴)  $9$

۷۸- انحنای خم  $y = 2 \sin t, x = \cos t$  در لحظه  $t = \frac{\pi}{2}$  کدام است؟

(۱) ۱  
(۲)  $\frac{4}{3}$

(۳)  $\frac{3}{2}$   
(۴) ۲

۷۹- در کدام بازه سری تابعی  $\sum_{n=0}^{\infty} (n+1)^2 \left(\frac{x}{2x+3}\right)^n$  واگرا است؟

(۱)  $[-3, -1]$

(۲)  $(-\infty, -3)$

(۳)  $[-3, \infty)$

(۴)  $(-3, -1]$

۸۰- فرض کنید  $z^2 + x^2 - y^2 = 1$  مقدار  $\frac{\partial x}{\partial y} \cdot \frac{\partial y}{\partial z} \cdot \frac{\partial z}{\partial x}$  در نقطه  $(1, 1, -1)$  کدام است؟

(۱) -۱  
(۲) صفر  
(۳) ۱  
(۴) ۲

۸۱- کمترین فاصله نقطه  $(3, 0, 0)$  از سهمی وار هذلولوی به معادله  $z = x^2 - y^2$  کدام است؟

(۱)  $\sqrt{5}$   
(۲)  $\frac{\sqrt{17}}{2}$

(۳)  $\frac{3\sqrt{2}}{2}$   
(۴) ۲

۸۲- دمای جو به مکان و زمان بستگی دارد. تابع دمای  $T$  بر حسب متغیرهای مکانی  $x, y, z$  و متغیر زمان  $t$  با ضابطه

$$T(x, y, z, t) = x^t + e^{-y} + \frac{t}{z+1}$$

برای یک بالن هواشناسی که بر مسیر منحنی شکل

$$z = \ln(1+t), y = \sin t, x = 2 \cos^2 t$$

در لحظه  $t = 0$  کدام است؟

(۱) صفر

(۲)  $\ln 2$

(۳) ۱

(۴)  $1 + \ln 2$

۸۳- فرض کنید  $f(x, y, z) = x^2 + y^2 + z^2$ . آهنگ تغییر  $f$  در نقطه  $(1, -1, 2)$  نسبت به سویی که این نقطه را به

نقطه  $(3, 1, 1)$  وصل می‌کند، کدام است؟

(۱) -۱  
(۲)  $-\frac{1}{3}$

(۳)  $-\frac{4}{3}$   
(۴)  $\frac{2}{3}$



۸۴- فرض کنید  $\sum_{n=0}^{\infty} a_n x^n = \int_0^x \frac{e^t - 1}{t} dt$  مقدار  $a_8$  کدام است؟

(۲)  $\frac{1}{32 \times 7!}$

(۱)  $\frac{1}{64 \times 7!}$

(۴)  $\frac{1}{7 \times 8!}$

(۳)  $\frac{1}{16 \times 8!}$

۸۵- مقدار  $\int_0^2 \frac{x^3 dx}{\sqrt{4-x^2}}$ ، کدام است؟

(۲)  $\frac{16}{3}$

(۱) ۸

(۴)  $+\infty$

(۳)  $\frac{8}{3}$

۸۶- مساحت ناحیه بالای محور  $x$  ها و زیر یک طاق از منحنی  $x = t - \sin t$ ,  $y = 1 - \cos t$  کدام است؟

(۲)  $2\pi$

(۱)  $\pi$

(۴)  $4\pi$

(۳)  $3\pi$

۸۷- عرض مرکز ثقل (مرکز وار) منحنی  $y = \sqrt{5-x^2}$ ، کدام است؟

(۲)  $\frac{5}{3\pi}$

(۱)  $\frac{10}{3\pi}$

(۴)  $\frac{2\sqrt{5}}{\pi}$

(۳)  $\frac{\sqrt{5}}{\pi}$

۸۸- ناحیه مثلثی و محصور به منحنی‌های  $y = x$ ,  $y = 0$ ,  $x = 2$  را حول خط  $x = 5$  دوران می‌دهیم. حجم جسم حاصل کدام است؟

(۲)  $14\pi$

(۱)  $\frac{44\pi}{3}$

(۴)  $15\pi$

(۳)  $\frac{43\pi}{3}$

۸۹- حجم ناحیه محصور به رویه  $z = \begin{cases} \frac{2x^2y}{x^2+y^2} & (x,y) \neq (0,0) \\ 0 & (x,y) = (0,0) \end{cases}$  از بالا و صفحه  $xy$  از پایین در دامنه  $x^2 + y^2 \leq 4$  واقع در ربع اول صفحه مختصات کدام است؟

(۲)  $\frac{16}{9}$

(۱)  $\frac{15}{7}$

(۴) ۲

(۳)  $\frac{7}{4}$

۹۰- فرض کنید چگالی حجمی یک نیم‌گوی با معادله  $x^2 + y^2 + z^2 = 4z$  به صورت  $(z-2)^2$  است. جرم این جسم، کدام است؟

$$\frac{24\pi}{5} \quad (۲)$$

$$5\pi \quad (۱)$$

$$\frac{64\pi}{15} \quad (۴)$$

$$4\pi \quad (۳)$$



