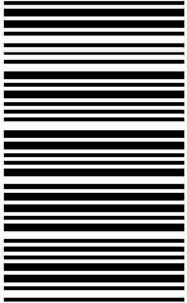


کد کنترل

453

E



453E

آزمون ورودی دوره‌های کارشناسی ارشد ناپیوسته داخل - سال ۱۴۰۱

صبح چهارشنبه

۱۴۰۱/۰۲/۲۸



جمهوری اسلامی ایران
وزارت علوم، تحقیقات و فناوری
سازمان سنجش آموزش کشور

«اگر دانشگاه اصلاح شود مملکت اصلاح می‌شود.»
امام خمینی (ره)

مهندسی ابزار دقیق و اتوماسیون صنایع نفت (کد ۱۲۹۰)

زمان پاسخ‌گویی: ۲۰۰ دقیقه

تعداد سؤال: ۱۳۰

جدول مواد امتحانی، تعداد و شماره سؤال‌ها

ردیف	مواد امتحانی	تعداد سؤال	از شماره	تا شماره
۱	زبان عمومی و تخصصی (انگلیسی)	۳۰	۱	۳۰
۲	ریاضیات مهندسی	۱۵	۳۱	۴۵
۳	کنترل خطی و غیر خطی	۱۵	۴۶	۶۰
۴	ترمودینامیک	۲۰	۶۱	۸۰
۵	انتخاب ۲ مکانیک سیالات و انتقال حرارت	۲۰	۸۱	۱۰۰
۶	درس از ۴ مدارهای الکتریکی (۲و۱)	۱۵	۱۰۱	۱۱۵
۷	الکترونیک (۲و۱)	۱۵	۱۱۶	۱۳۰

این آزمون نمره منفی دارد.

استفاده از ماشین حساب مجاز نیست.

* متقاضی گرامی، وارد نکردن مشخصات و امضا در کادر زیر، به منزله غیبت و حضور نداشتن در جلسه آزمون است.

اینجانب با شماره داوطلبی با آگاهی کامل، یکسان بودن شماره صندلی خود را با شماره داوطلبی مندرج در بالای کارت ورود به جلسه، بالای پاسخنامه و دفترچه سؤالها، نوع و کد کنترل درج شده بر روی دفترچه سؤالها و پایین پاسخنامه را تأیید می‌نمایم.

امضا:

زبان عمومی و تخصصی (انگلیسی):

PART A: Vocabulary

Directions: Choose the word or phrase (1), (2), (3), or (4) that best completes each sentence. Then mark the answer on your answer sheet.

- 1- Growing older and more decrepit appeared to be an ----- and necessary part of being human.
1) inevitable 2) intangible 3) unforeseeable 4) unsentimental
- 2- I don't really think I'd have the ----- to finish a marathon!
1) concern 2) candor 3) endurance 4) autonomy
- 3- Her marriage started to improve once her husband finally ----- he had an anger problem and began to take counseling.
1) identified 2) emerged 3) hesitated 4) acknowledged
- 4- Society is an interdependent system that ----- widespread cooperation to function.
1) proceeds 2) requires 3) fascinates 4) conveys
- 5- Our blue planet is a ----- . Life depends on water, yet in its natural form, the water in the oceans will not sustain us because we cannot drink salt water.
1) refuge 2) remedy 3) paradox 4) vacillation
- 6- I thought I was buying a/an ----- native Indian carving, but discovered later that it was machine-made.
1) genuine 2) definitive 3) secretive 4) artificial
- 7- The entrepreneur had a well-deserved reputation for -----, having accurately anticipated many changes unforeseen by established business leaders.
1) modesty 2) hindsight 3) prescience 4) extroversion
- 8- Studies of longevity among turtles are sometimes ----- by the fact that the subjects live so long that researchers retire before the studies can be completed.
1) stabilized 2) hampered 3) diversified 4) verified
- 9- Kevlar is a ----- new material which is used for everything from airplane wings, to bullet-proof vests, to hockey sticks.
1) prescriptive 2) versatile 3) dormant 4) derivative
- 10- If exploitation of the planet's resources continues as at present, then the lifestyle we currently enjoy ----- the risk of causing significant damage to the world.
1) proposes 2) puts 3) shapes 4) runs

PART B: Cloze Test

Directions: Read the following passage and decide which choice (1), (2), (3), or (4) best fits each space. Then mark the correct choice on your answer sheet.

Scientists and philosophers have been grappling with the relationship between language and thought for centuries. There have always been (11) ----- that our picture of the Universe depends on our native tongue. Since the 1960s, however, (12) ----- the ascent of thinkers like Noam Chomsky, and a host of cognitive scientists, (13) ----- that linguistic differences don't really matter, (14) ----- language is a universal human trait, and that our ability to talk to one another owes more to our shared genetics (15) ----- . But now the pendulum is beginning to swing the other way as psychologists re-examine the question.

- | | | | | |
|-----|--------------------------------|---------------------------------|---------|---------|
| 11- | 1) that they argue | 2) those who argue | | |
| | 3) an argument by those | 4) arguing those who | | |
| 12- | 1) with | 2) for | 3) by | 4) in |
| 13- | 1) whose consensus | 2) who has the consensus | | |
| | 3) the consensus has been | 4) is the consensus | | |
| 14- | 1) a | 2) the | 3) what | 4) that |
| 15- | 1) and our cultures vary | 2) than to our varying cultures | | |
| | 3) than our cultures that vary | 4) as to our varying cultures | | |

PART C: Reading Comprehension

Directions: Read the following three passages and answer the questions by choosing the best choice (1), (2), (3), or (4). Then mark the correct choice on your answer sheet.

PASSAGE 1:

With the introduction of distributed control systems (DCSs), new concepts associated with the security of the process in a distributed environment were developed. Since the most critical DCS function with respect to process security is the control of the process, suppliers introduced a number of approaches to ensure secure control. The most obvious one was the development of redundant controllers, so if one of the controllers had a problem, the other could take over control. Significant effort went into the design of the software associated with redundant controllers to ensure the process could tolerate faults occurring in one of the controllers. As has been discussed, for critical control functions, triple redundancy could be implemented, often leading to a predicted mean time between functional failures in the hundreds of years. *System management software was also developed for DCSs to improve the level of security of the systems. These controlled secure communication across the DCS networks, provided loading of control software, conducted system wide failure analysis and management, and provided many additional security-based functions. With the advent of these techniques, there was a significant reduction in the probability of a failure in the DCS causing a process problem.*

- 16- **What is the main idea of the passage?**
 1) Control of the process
 2) Redundant controllers
 3) System management software
 4) New approaches to distributed control systems
- 17- **The word “advent” in line 14 means -----.**
 1) familiarization 2) optimization 3) introduction 4) finalization
- 18- **The word “these” in line 12 refers to -----.**
 1) distributed control systems (DCSs) 2) system management software
 3) security-based functions 4) approaches
- 19- **Which one is NOT used in ensuring secure control?**
 1) Installing redundant controllers
 2) Tolerating faults occurring in one of the controllers
 3) System management software
 4) Additional security-based functions
- 20- **According to the passage, which statement below best describes the part in italics?**
 1) Conducting systemwide failure analysis is the result of additional security functions.
 2) Probability of failure and process problems becomes more popular.
 3) Loading of control software is possible as a result of DCS.
 4) The security could become better as a result of DCS.

PASSAGE 2:

In order to reduce the starting current that deteriorates the effective life of certain types of motors (especially in the larger, more powerful ones), a special starting procedure is usually followed, which is called START in a Star-Delta (Y- Δ) configuration. This configuration refers to the connections between the motor's internal coils and the power supply phases that are able to achieve a specific reduction of the startup currents in the Y configuration. However, since this Y coil configuration also represents a lower torque for the motor, a proper connection back to the Δ (higher nominal currents) is needed in order to allow the motor to handle bigger loads. In the case that no automation is utilized, the coils of the motor can be directly wired in a Y or a Δ configuration. In these coil configurations, it should be noted that the metallic bridges represent constant connections, while in an automatic operation, these connections should be achieved by the proper utilization of two relays C2 and C3, as will be presented subsequently. For every motor that starts with its coils connected in a Star (Y) and subsequently its coils are connected in a Delta (Δ), the automation circuit should satisfy the following requirements. With the press of a START button, the relay C3 that creates the star junction should be energized. Subsequently and after the energizing of relay C3, the relay C1 should also be energized. After the elapse of time T, the relay C3 should be de-energized, and without de-energizing the relay C1, the relay C2 that implements the Delta connection should be energized. The time duration of T is dependent on the size of the motor, which should be adjustable, thus the utilization of a time relay is necessary. It should be noted that in this circuit, there is a contact with a time delay, but there is no time relay as an electrical device. This means (as in all similar situations) that the time switch is pneumatic and placed in relay C1. The automation circuit is not the only circuit for the start of the motor in a Y/ Δ

configuration. On the contrary, every automation vendor proposes its specific automation circuit for the same operation that, in principle, which is the minimum contact implementation.

- 21- The word "satisfy" in line 15 means -----.
- 1) share 2) suffice 3) convince 4) make happy
- 22- What is the best title for this passage?
- 1) Proper connections in certain types of motors
2) Starting procedure for reduction of current in certain types of motors
3) Automation circuit for reduction of current in certain types of motors
4) Motor's internal coils and the power supply in certain types of motors
- 23- According to the passage, which statement is True?
- 1) Y coil configuration can remove the needs for automation.
2) The Δ configuration can be used alone to handle bigger loads.
3) Application of automation allows the motor to deal with more loads.
4) Y coil configuration should be used along with the Δ to avoid higher loads.
- 24- Which statement is True according to the passage?
- 1) Relay C1 is energized in both when relays C3 and C1 are energized.
2) After the relay C2 is energized, the relay C1 is de-energized.
3) Time relay is essential just for the relay C2
4) After the press of a START button, relays C3 and C1 are energized while relay C2 is de-energized.
- 25- The word "implements" in line 19 is closest in meaning to -----.
- 1) uses 2) applies 3) utilizes 4) consumes

PASSAGE 3:

Total Acceptance Model (TAM) is one of the most widely used models for information technology (IT) adoption. According to TAM, an individual's IT adoption is influenced by perceived usefulness and perceived ease of use. Perceived usefulness is defined as the degree to which a person believes that using a particular system would enhance his or her job performance. Perceived ease of use refers to the degree to which a person believes that using a particular system would be free of effort. The perceived ease of use influences the user intention indirectly through the perceived usefulness. These two perceptions help shape the user's attitude toward usage and intention to use. Davis's scale items for measuring the two independent variables, perceived usefulness and perceived ease of use, have shown high internal validity. TAM is a parsimonious and robust model, consistently validated by numerous studies across different settings and technologies. Beyond IT applications for corporate use, recent studies have also established the model's applicability for user adoption of mobile ticketing, mobile payment systems for e-commerce merchants. Some studies have extended the TAM model by identifying antecedent attributes to the user's perceived usefulness and perceived ease of use. Lederer et al. validated that perceived ease of use can be explained by usability characteristics, and perceived usefulness by characteristics of useful information, task environment, and functional needs to perform jobs. The roles of perceived ease of use in TAM, however, remain controversial because some studies show that perceived ease of use directly affects

either self-reported use or intended ICTs use, whereas other studies have not found direct links between perceived ease of use and ICTs adoption. Gefen and Straub found that the nature of the task may influence the perceived ease of use. Their empirical evidence showed that perceived ease of use and perceived usefulness affect intended use when a Web site is used for an inquiry task and where ICTs is intrinsic to the task and interface design is critical. Wireless technology is one type of ICTs. We argue TAM is also correct for mobile content services.

- 26- According to the passage, TAM is NOT -----.
- 1) the amount of effort a system provides
 - 2) what perception of usefulness a system may offer
 - 3) when perceived usefulness and ease of effort exist
 - 4) when the user's intention is impacted by perceived usefulness
- 27- The word "parsimonious" in line 11 can be replaced by -----.
- 1) strong
 - 2) economical
 - 3) expensive
 - 4) extensive
- 28- The word "their" in line 23 refers to -----.
- 1) direct links between perceived ease of use and ICTs adoption
 - 2) the roles of perceived ease of use in TAM
 - 3) Gefen and Straub found
 - 4) other studies
- 29- In what kind of scientific text can this passage exist?
- 1) Research paper in a journal
 - 2) A general book or magazine
 - 3) A catalogue for a workshop
 - 4) A scientific book
- 30- According to research cited in this passage, which statement is True?
- 1) Perceived usefulness and ease were inconsistent despite being independent.
 - 2) The data obtained from different research to date are internally valid.
 - 3) Some studies show that the TAM is not effective in e-commerce.
 - 4) Evidence supports perceived usefulness and ease for web sites.

ریاضیات مهندسی:

۳۱- تابع متناوب f با ضابطه $f(x) = x^2$ بر بازه $(1, 3)$ و با دوره تناوب $T = 2$ را به صورت سری فوریه بسط می دهیم.

مقدار این سری در $x = -2.5$ ، کدام است؟

$$-5 \quad (1)$$

$$4 \quad (3)$$

$$-4 \quad (2)$$

$$5 \quad (4)$$

۳۲- بسط نیم دامنه کسینوسی تابع $f(x) = x$ که با $0 \leq x < L$ ، کدام است؟

$$(f(x) = \frac{a_0}{2} + \sum_{n=1}^{\infty} a_n \cos \frac{n\pi x}{L} \text{ تابع نیم دامنه کسینوسی})$$

$$L + \sum_{m=1}^{\infty} \frac{-4L}{(2m-1)^2 \pi^2} \cos(2m-1) \frac{\pi x}{L} \quad (2) \quad \frac{L}{2} + \sum_{m=1}^{\infty} \frac{4L}{(2m-1)^2 \pi^2} \cos(2m-1) \frac{\pi x}{L} \quad (1)$$

$$L + \sum_{m=1}^{\infty} \frac{4L}{(2m-1)^2 \pi^2} \cos(2m-1) \frac{\pi x}{L} \quad (4) \quad \frac{L}{2} + \sum_{m=1}^{\infty} \frac{-4L}{(2m-1)^2 \pi^2} \cos(2m-1) \frac{\pi x}{L} \quad (3)$$

۳۳- اگر سری فوریه تابع $f(x)$ به صورت: $\frac{3}{2} + 2 \sum_{n=1}^{\infty} \left(\frac{1-(-1)^n}{(n\pi)^2} \cos nx + \frac{(-1)^{n+1}}{n\pi} \sin nx \right)$ باشد، حاصل

$\int_{-\pi}^{\pi} f(x) \sin 2x \cos 4x dx$ ، کدام است؟

- (۱) $-\frac{2}{3\pi}$
- (۲) $-\frac{1}{3\pi}$
- (۳) $\frac{1}{6\pi}$
- (۴) $\frac{1}{3\pi}$

۳۴- تبدیل فوریه تابع $f(x)$ به صورت $F(f(x)) = \frac{1}{\sqrt{2\pi}} \int_{-\infty}^{\infty} f(x) e^{-i\omega x} dx$ ، تعریف می‌شود. اگر

$F(e^{-ax^2}) = \frac{1}{\sqrt{2a}} e^{-\frac{\omega^2}{4a}}$ باشد، مقدار انتگرال $\int_0^{\infty} e^{-x^2} \cos 2x dx$ ، کدام است؟

- (۱) $\frac{e}{\sqrt{2\pi}}$
- (۲) $\frac{\sqrt{\pi}}{2e}$
- (۳) $\frac{\sqrt{\pi}}{e}$
- (۴) $\frac{2e}{\sqrt{\pi}}$

۳۵- معادله دیفرانسیل $y'' + a^2 y = e^{-a|x|}$ $-\infty < x < \infty$ را در نظر بگیرید. اگر تبدیل فوریه $y(x)$ را $Y(\omega)$

در نظر بگیریم، آن‌گاه $Y(\omega)$ کدام است؟ $\left(F(\omega) = \frac{1}{\sqrt{2\pi}} \int_{-\infty}^{\infty} f(x) e^{-i\omega x} dx \right)$

- (۱) $\frac{\sqrt{2} a}{\sqrt{\pi}(a^2 - \omega^2)}$
- (۲) $\frac{\sqrt{2} a}{\sqrt{\pi}(\omega^2 - a^2)}$
- (۳) $\frac{\sqrt{2} a}{\sqrt{\pi}(\omega^2 + a^2)^2}$
- (۴) $\frac{\sqrt{2} a}{\sqrt{\pi}(a^2 - \omega^2)^2}$

۳۶- جواب معادله دیفرانسیل $u_x + u_y = 2(x+y)u$ ، کدام است؟

(۱) $ke^{-(x^2+y^2)+C(x-y)}$

(۲) $ke^{(x^2+y^2)+C(x+y)}$

(۳) $ke^{(x^2+y^2)+C(x-y)}$

(۴) $ke^{-(x^2+y^2)+C(x+y)}$

۳۷- در حل معادله با مشتقات جزئی زیر با روش ضربی به صورت $u(x, t) = \sum_{n=0}^{\infty} F_n(x) G_n(t)$ باشد، آن گاه G_1, G_0 کدام است؟

$$\begin{cases} u_{tt} = u_{xx} + t \cos x + \sin^2 x \\ u(x, 0) = x(1-x) & , u_t(x, 0) = xe^{-x} ; 0 < x < \pi \\ u_x(0, t) = 0 & , u_x(\pi, t) = 0 ; t > 0 \end{cases}$$

(۱) $G_0 = 0, G_1 = C_1 \cos t + D_1 + t$

(۲) $G_0 = \frac{1}{2}t^2 + at + b, G_1 = C_1 \cos t + D_1 \sin t + t$

(۳) $G_0 = \frac{1}{4}t^2 + at + b, G_1 = C_1 \cos t + D_1 \sin t + t$

(۴) $G_0 = 0, G_1 = C_1 \cos t + D_1 \sin t + \frac{1}{2}t$

۳۸- کدام تغییرمتغیر معادله دیفرانسیل با مشتقات جزئی زیر را به فرم نرمال تبدیل می کند؟

$$U_{xx} + (1 + \cos x)U_{xy} + \cos x U_{yy} = 0$$

(۱) $v = y - x, w = y - \sin x$

(۲) $v = y - x, w = y - \cos x$

(۳) $v = y + x, w = y \sin x$

(۴) $v = y + x, w = y \cos x$

۳۹- می دانیم که معادله $u_{xx} + 5u_{xy} + 4u_{yy} = 0$ دارای جوابی به فرم $u(x, y) = f(y - 4x) + g(y - x)$ است. (با

استفاده از روش دالامبر) که در آن f و g توابعی دلخواه و مشتق پذیرند. با اعمال شرایط $u(0, y) = 12 \sin 2y$ و

$u_x(0, y) = -18 \cos 2y$ ، جواب معادله کدام است؟

(۱) $-\sin(2y - 4x) + 14 \cos(2y - 2x)$

(۲) $-\sin(2y - 4x) + 13 \sin(2y - 2x)$

(۳) $\cos(2y - 4x) + 13 \sin(2y - 2x)$

(۴) $\cos(2y - 4x) + 16 \cos(2y - 2x)$

۴۰- اگر $u(x, y) = ax^3 + bx^2y + (cx + d)y^2$ یک تابع همساز باشد، آن گاه a, b, c, d در کدام یک از گزینه‌های زیر صدق می‌کنند؟

(۱) $b = d = 0, c = -3a$

(۲) $a = d = 0, c = -2b$

(۳) $a = b = 0, d = -2c$

(۴) $d = c = 0, 2b = -3a$

۴۱- مقدار مانده تابع $f(z) = (e^z - 1)(\cosh z - 1)$ در $z = 0$ کدام است؟

(۱) $\sum_{n=2}^{\infty} \frac{1}{(n!)(n+1)!}$

(۲) $\sum_{n=1}^{\infty} \frac{1}{(2n)!(2n+1)!}$

(۳) ۱

(۴) صفر

۴۲- فرض کنید $\oint_c \frac{e^z dz}{(z^2 + 4)(z - 4)} = 2\pi i A$ که در آن c مرز دایره $|z| = 3$ در جهت مثبت است. در این صورت

مقدار انتگرال مذکور بر روی مرز $c_1: |z+1| + |z-1| = 4\sqrt{2}$ در جهت مثبت کدام است؟

(۱) $2\pi i(A - \frac{e^2}{20})$

(۲) $2\pi i(A - \frac{e^4}{20})$

(۳) $2\pi i(A + \frac{e^4}{20})$

(۴) $2\pi i A$

۴۳- مقدار انتگرال $\oint_c \cosh(\frac{1}{z} + \frac{i\pi}{4}) dz$ کدام است؟

(راهنمایی: $\cosh(z_1 + z_2) = \cosh z_1 \cosh z_2 + \sinh z_1 \sinh z_2$)

(۱) $-\pi\sqrt{2}$

(۲) $-i\pi\sqrt{2}$

(۳) $i\pi\sqrt{2}$

(۴) $\pi\sqrt{2}$

۴۴- مقدار $\int_{-\infty}^{\infty} \frac{\cos \frac{\pi}{3} x}{(x^2+1)(x^2-1)} dx$ ، prv. ، کدام است؟

(۱) $\frac{\pi}{4} (2e^{-\frac{\pi}{3}} + \sqrt{3})$

(۲) $\frac{\pi}{4} (2e^{-\frac{\pi}{3}} - 1)$

(۳) $\frac{\pi}{4} (2e^{-\frac{\pi}{3}} - \sqrt{3})$

(۴) $\frac{\pi}{4} (2e^{-\frac{\pi}{3}} + 1)$

۴۵- تصویر ناحیه $D = \{z \in \mathbb{C} \mid \operatorname{Re} z \geq 1, \operatorname{Im} z \leq 0\}$ ، تحت نگاشت $w = \frac{z - \operatorname{Re} z}{z - 1}$ ، در صفحه uv کدام است؟

(۲) ربع چهارم

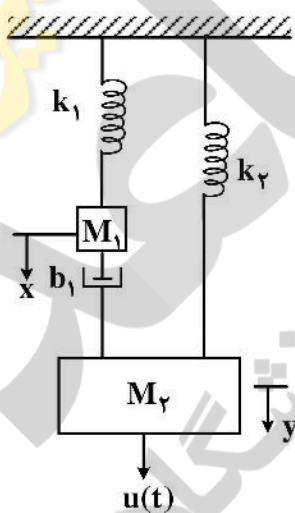
(۱) ربع سوم

(۴) ربع دوم

(۳) ربع اول

کنترل خطی و غیرخطی:

۴۶- چه تعداد از گزاره‌های زیر باعث ثابت ماندن مقدار نهایی جابه‌جایی جرم M_1 خواهد شد؟



- چنانچه مقدار b_1 دو برابر و k_2 نیز دو برابر شود (سایر پارامترها بدون تغییر)
- چنانچه k_1 دو برابر و k_2 نصف شود (سایر پارامترها بدون تغییر)
- چنانچه مقدار b_1 نصف و k_1 نیز نصف شود (سایر پارامترها بدون تغییر)

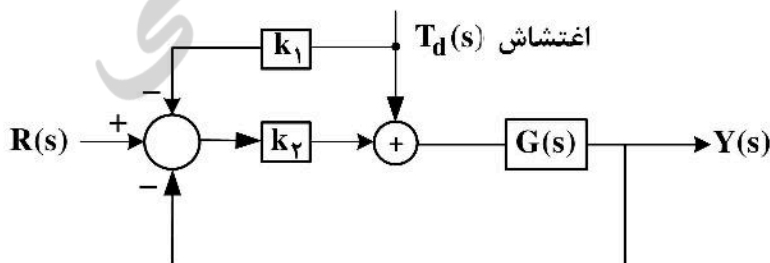
(۱) صفر

(۲) یک

(۳) دو

(۴) سه

۴۷- به‌ازای کدام مقادیر k_1 و k_2 اثر اغتشاش شیب بر روی خروجی همواره صفر است؟ (سیستم حلقه بسته پایدار است).



(۱) $k_1 = 1, k_2 = 1$

(۲) $k_1 = 0.125, k_2 = 8$

(۳) $k_1 = 8, k_2 = 0.1$

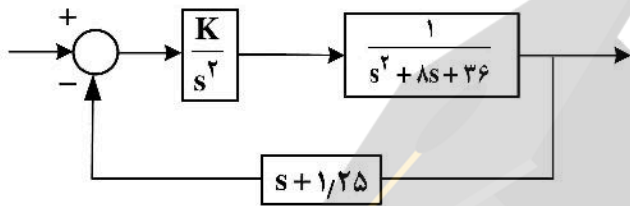
(۴) گزینه‌های ۱ و ۲

۴۸- سیستم درجه سوم به صورت $T(s) = \frac{1}{(s^2 + 2\xi s + 1)(ks + 1)}$ را در نظر بگیرید. با فرض $\xi = 0.45$ مقدار k

چقدر باشد تا پاسخ پله دارای فراجهدش بیشتری باشد؟

- (۱) ۰/۰۵
- (۲) ۱
- (۳) ۱/۵
- (۴) ۲/۲۵

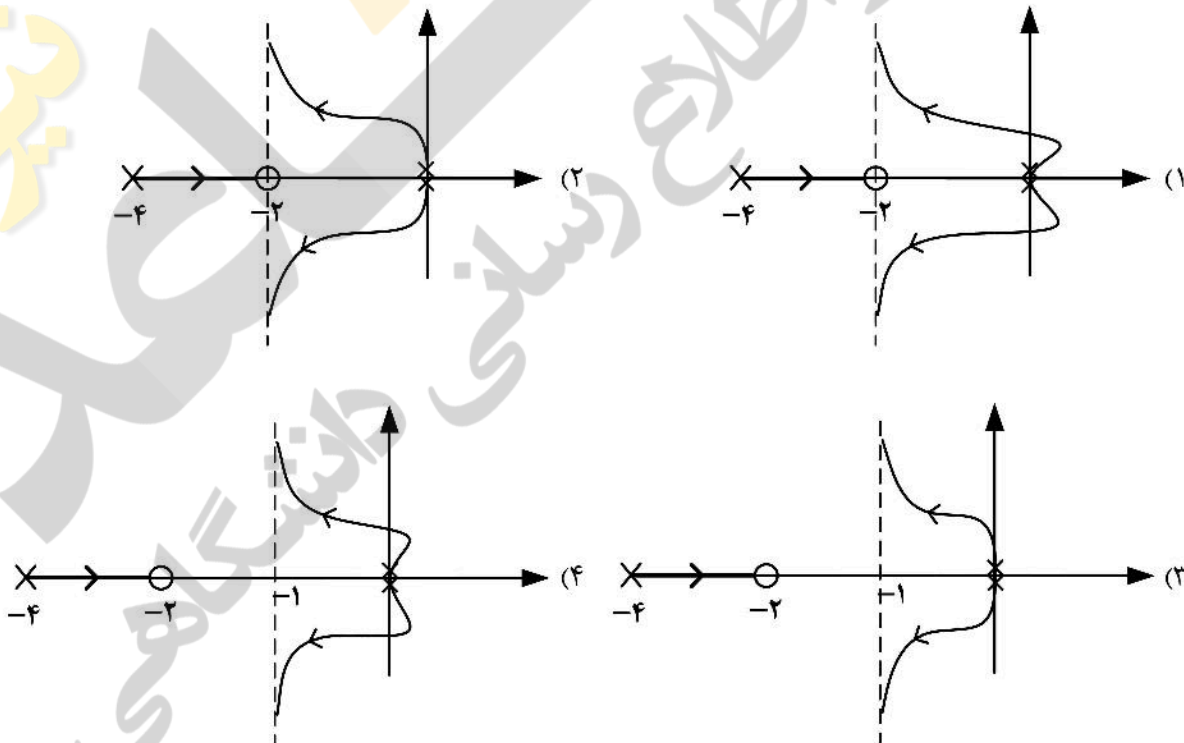
۴۹- به ازای چه مقادیری از K ، پاسخ زمانی سیستم زیر، سریع تر از e^{-t} خواهد بود؟



- (۱) $54 < K < 108$
- (۲) $64 < K < 108$
- (۳) $64 < K < 124$
- (۴) $54 < K < 124$

۵۰- مکان هندسی قطب‌های حلقه بسته با تابع تبدیل حلقه باز $\frac{K(s+2)}{s^2(s+4)}$ به ازای $0 < K < \infty$ در کدام یک از گزینه‌های

زیر آمده است؟



۵۱- معادله مشخصه یک سیستم کنترل به صورت $K > 0$, $(s+1)^2 + K(s^2+1) = 0$ است. نقاط ترک مکان (نقاط شکست) که خارج از محور حقیقی قرار دارند، کدام است؟

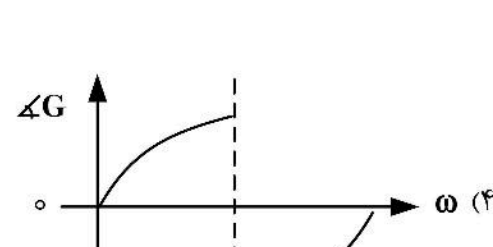
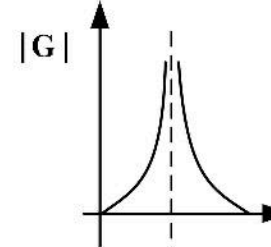
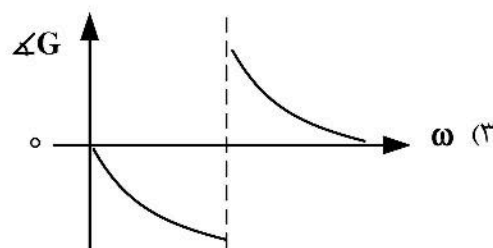
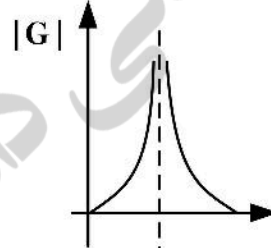
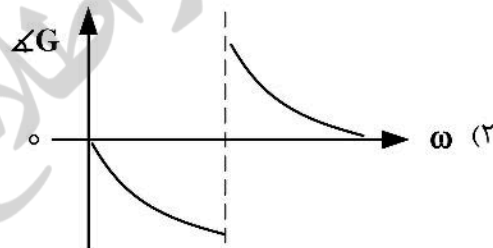
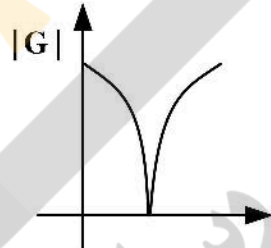
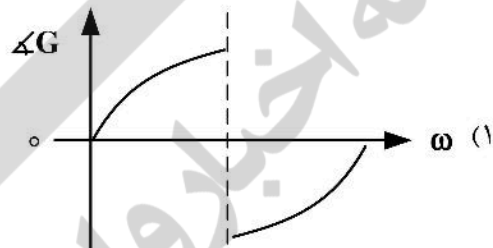
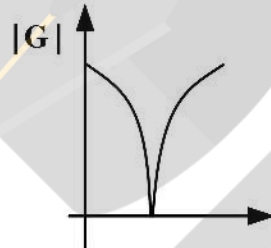
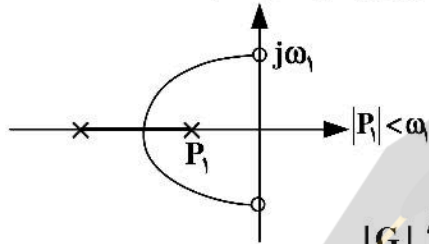
$$(1) \quad -1 \pm j\sqrt{2}$$

$$(2) \quad -\frac{1}{2} \pm j\frac{\sqrt{2}}{2}$$

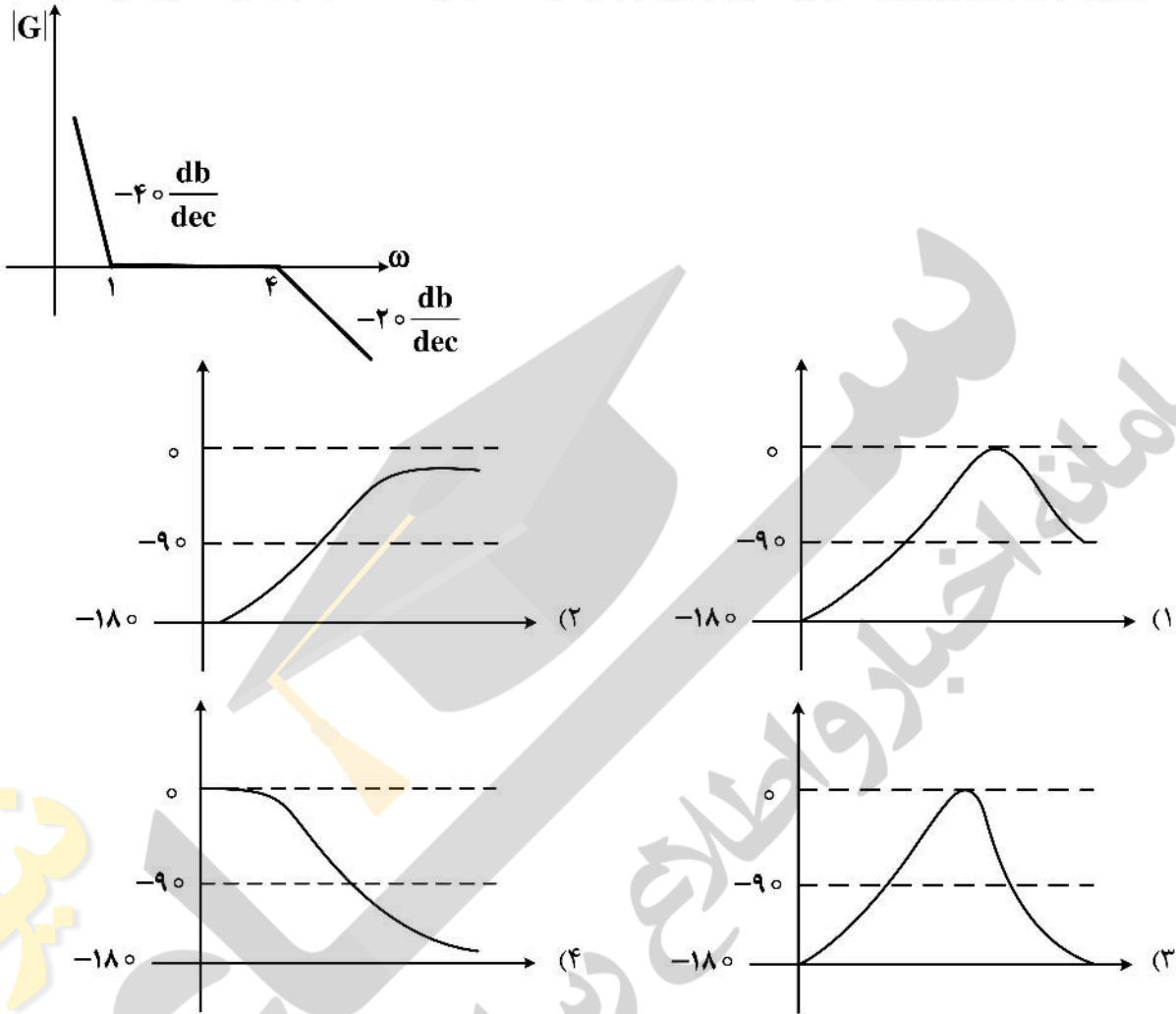
(۴) نقاط ترک خارج از محور حقیقی ندارد.

$$(3) \quad -\frac{1}{2} \pm j\frac{\sqrt{3}}{2}$$

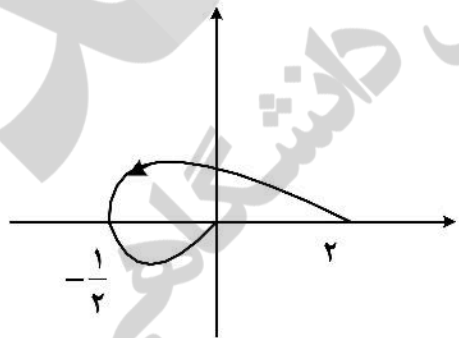
۵۲- مکان هندسی ریشه‌های سیستمی به صورت شکل زیر است. دیاگرام بودی این سیستم کدام است؟



۵۳- شکل زیر دیاگرام بودی را برای اندازه یک تابع تبدیل مینیمم فاز مشخص کرده است. دیاگرام فاز متناظر با آن کدام است؟

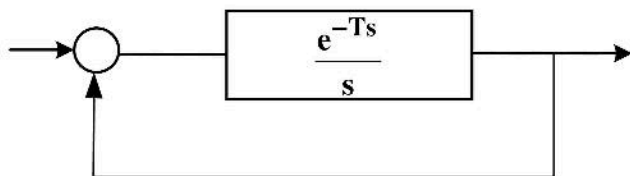


۵۴- دیاگرام قطبی یک سیستم پایدار حلقه باز مرتبه دوم به صورت زیر داده شده است. کمترین مقدار خطای حالت ماندگار سیستم حلقه بسته به ازای ورودی پله واحد و در حضور کنترل کننده تناسبی، کدام گزینه است؟



- (۱) صفر
- (۲) ۰/۱
- (۳) ۰/۲
- (۴) ۱

۵۵- ماکزیمم مقدار T که منجر به ناپایداری سیستم حلقه بسته در شکل زیر نمی شود، چه مقدار است؟



- (۱) ۳/۵
- (۲) ۱/۵۷
- (۳) ۱
- (۴) ۰/۲۷۱

۵۶- نقطه یا نقاط تعادل سیستم زیر از چه نوعی است؟

$$\dot{x}_1 = x_1(2 - x_2)$$

$$\dot{x}_2 = 2x_1^2 - x_2$$

- (۲) کانونی پایدار
(۴) زینی و کانونی پایدار

- (۱) زینی
(۳) زینی و کانونی ناپایدار

۵۷- تحت چه شرایطی سیستم زیر چرخه حدی ندارد؟

$$\dot{x} = axy^2 + y \cos x$$

$$\dot{y} = bx^2y + \frac{1}{2}y^2 \sin x$$

- (۲) $a, b > 0$
(۴) سیستم همیشه چرخه حدی دارد.

- (۱) $a, b > 0$ یا $a, b < 0$
(۳) $a, b < 0$
۵۸- در مورد سیستم زیر چه می توان گفت؟

$$\dot{x}_1 = x_1 + x_2$$

$$\dot{x}_2 = \sin(x_1 - x_2)$$

- (۲) یک نقطه تعادل دارد و پایدار است.
(۴) دو نقطه تعادل دارد و پایدار است.

- (۱) سیستم ناپایدار است.
(۳) دو نقطه تعادل دارد و ناپایدار است.
۵۹- کدام یک از گزینه ها برای سامانه زیر درست است؟

$$\dot{x}_1 = x_2$$

$$\dot{x}_2 = u$$

- (۱) با انتخاب $u = -4$ سامانه پایدار مجانبی می شود.
(۲) با انتخاب $u = 4$ سامانه پایدار مجانبی می شود.
(۳) با انتخاب $u = kx_1$ سامانه پایدار مجانبی می شود.
(۴) با طراحی سویچ مناسب بین $u = 4$ و $u = -4$ سامانه پایدار مجانبی می شود.
۶۰- کدام گزینه در مورد رفتار سامانه زیر درست است؟

$$\dot{x}_1 = 3/2x_1 - 0/8x_2$$

$$\dot{x}_2 = 0/8x_1 - 0/2x_2$$

- (۲) یک خط تعادل ناپایدار دارد.
(۴) نقطه تعادل زین اسبی است.

- (۱) پاسخ نوسانی ناپایدار دارد.
(۳) نقطه تعادل کانون ناپایدار است.

ترمودینامیک:

۶۱- فشار گیج به اندازه 400 kPa روی پیستونی به قطر 4 cm اعمال می شود. این پیستون توسط فنری با ثابت $800 \frac{\text{N}}{\text{m}}$ در برابر فشار اعمال شده مقاومت می کند. با صرف نظر از وزن و اصطکاک پیستون، میزان فشردگی فنر چند سانتی متر است؟

(۲) ۱/۹۸

(۴) ۹۵

(۱) ۱/۳۲

(۳) ۶۳

۶۲- کدام یک از موارد زیر درست است؟

- (۱) اگر سیالی دمای کمتر از دمای بحرانی و فشار بیشتر از فشار بحرانی داشته باشد، حتماً مایع است.
- (۲) اگر سیالی دمای بیشتر از دمای بحرانی و فشار کمتر از فشار بحرانی داشته باشد، مایع متراکم است.
- (۳) اگر سیالی دمای کمتر از دمای بحرانی و فشار کمتر از فشار بحرانی داشته باشد، حتماً مایع است.
- (۴) اگر سیالی دمای بیشتر از دمای بحرانی و فشار بیشتر از فشار بحرانی داشته باشد، حالت فیزیکی گاز دارد.

۶۳- کدام یک از جملات زیر درست است؟

- (۱) دما و فشار در نقطه سه گانه از هم مستقلند.
- (۲) دما و فشار برای مایع متراکم از هم مستقلند.
- (۳) دما و فشار برای بخار فوق گرم از هم مستقل نیستند.
- (۴) دما و فشار برای شرایط بخار - مایع اشباع از هم مستقلند.

۶۴- یک مول از گاز ایدئال A با $(C_{v,m} = 3R)$ به ۲ مول گاز ایدئال B با $(C_{v,m} = \frac{3}{2}R)$ در ظرفی اضافه می شود.

این دو گاز به صورت آدیاباتیکی و برگشت پذیر از ۱ به ۴ لیتر منبسط می شوند. در صورتی که دمای اولیه 320K باشد،

ΔE یا ΔU فرایند کدام است؟

- (۱) $480R$
- (۲) $240R$
- (۳) $-240R$
- (۴) $-960R$

۶۵- حجمی که توسط 4kg بخار به دمای 200°C با کیفیت 80% اشغال می شود، تقریباً چند مترمکعب است؟ (در

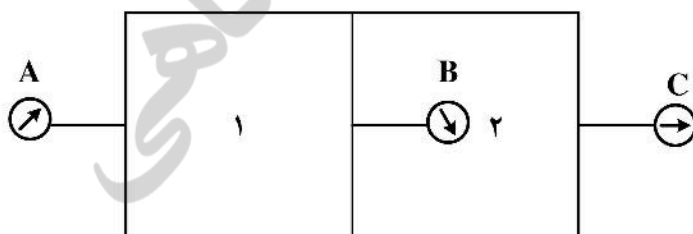
این دما حجم مایع اشباع 0.001156 و حجم بخار اشباع 0.1274 مترمکعب بر کیلوگرم است.)

- (۱) 0.004
- (۲) 0.104
- (۳) 0.4
- (۴) 4.1

۶۶- یک ظرف به ۲ بخش تقسیم شده است. در هر بخش فشار گاز متفاوت است. فشار گیج (A) 400kPa و فشار

گیج (B) 180kPa است. اگر فشار بارومتري 760mmHg باشد، فشار مطلق C چند کیلوپاسکال است؟

$$(\rho_{\text{Hg}} = 13.54 \frac{\text{g}}{\text{cm}^3})$$



- (۱) 320
- (۲) 300
- (۳) 280
- (۴) 260

۶۷- اگر در طول یک فرایند تعادلی فشار و حجم به شکل زیر تغییر کرده باشند، کار انجام شده توسط گاز تقریباً چند ژول است؟

P	۲۰۰	۲۵۰	۳۰۰	۳۵۰	۴۰۰	۴۵۰	۵۰۰	kPa →	$\times 1000 \text{ Pa}$
V	۸۰۰	۶۵۰	۵۵۰	۴۷۵	۴۱۵	۳۶۵	۳۶۰	$\text{cm}^3 \rightarrow$	$\times 10^{-6} \text{ m}^3$

- (۱) ۳۵۰
- (۲) ۲۶۰
- (۳) ۲۲۰
- (۴) ۱۳۰

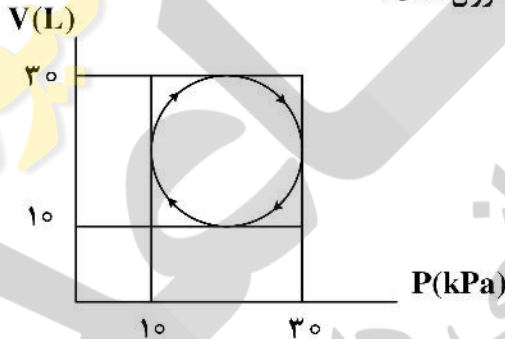
۶۸- یک بخاری برقی 120 V با جریان 10 A به مدت 10 دقیقه در فضایی به حجم ثابت کار می‌کند. کار انجام شده روی هوا در این حجم چند کیلوژول است؟

- (۱) ۷۲۰,۰۰۰
- (۲) ۱۲
- (۳) ۷۲۰
- (۴) ۰/۱۲

۶۹- کدام گاز بیشترین انرژی داخلی را در دمای 290 K دارد؟

- (۱) کلر
- (۲) نیتروژن
- (۳) نئون
- (۴) اوزون

۷۰- گرمای جذب شده توسط سیستم در طول فرایند چرخه‌ای زیر چند ژول است؟



- (۱) $\pi 10^2$
- (۲) $\pi 10^4$
- (۳) $\pi 10^6$
- (۴) $\pi 10^7$

۷۱- برای گاز ایدئال w_1, w_2, w_3, w_4 و w_4 به ترتیب در فرایندهای انبساط برگشت پذیر ایزوترم، آدیاباتیک، هم‌فشار و هم‌حجم انجام شده‌اند. کدام جمله درست است؟

- (۱) $w_4 < w_3 < w_2 < w_1$
- (۲) $w_4 < w_2 < w_1 < w_3$
- (۳) $w_4 < w_1 < w_2 < w_3$
- (۴) $w_1 < w_4 < w_2 < w_3$

۷۲- اگر یک مول گاز ایدئال در دمای 300 K به صورت ایزوترمال منبسط شود به نحوی که حجمش ۳ برابر شود، تغییرات انتروپی این گاز چقدر است؟

- (۱) صفر
- (۲) $\frac{5}{2} R \ln 3$
- (۳) $R \ln 3$
- (۴) ∞

۷۳- کدام یک از موارد زیر خلاف قانون دوم ترمودینامیک است؟

(۱) یک سیستم تبرید که با $COP = 4/5$ بین دو دمای $T_L = 26^\circ K$ و $T_H = 31^\circ K$ عمل می‌کند.

(۲) فرایندی وجود دارد که طی آن تغییر انتروپی سیستم $\Delta S_{sys} = -0.5 \frac{kJ}{K}$ و تغییر انتروپی محیط

$$\Delta S_{surr} = 0.78 \frac{kJ}{K}$$

(۳) یک سیکل قدرت (موتور حرارتی) که $1000 kJ$ گرما از منبعی دمای $500 K$ دریافت می‌کند و کار خالص

$$W_{net} = 410 kJ$$
 تحویل می‌دهد. (دمای منبع سرد $300 K$ است.)

(۴) هیچکدام

۷۴- یک محلول مایع ایدئال (Ideal Gas) در $30^\circ C$ متشکل از $2 kmol$ جزء A و $6 kmol$ جزء B است. در این

دما فشار بخار اجزای سازنده A و B به ترتیب $P_A^{sat} = 40 kPa$ و $P_B^{sat} = 50 kPa$ هستند. ترکیب (درصد

مولی) فاز بخار در حال تعادل با مایع کدام عبارت است؟

$$(۲) \quad 79\% B, \quad 21\% A$$

$$(۱) \quad 75\% B, \quad 25\% A$$

$$(۴) \quad 61\% B, \quad 39\% A$$

$$(۳) \quad 70\% B, \quad 30\% A$$

۷۵- یک مول گاز ایدئال (Ideal Gas) در یک سیستم بسته فرایند سیکلی متشکل از سه فرایند برگشت‌پذیر

(Reversible) متوالی زیر را انجام می‌دهد:

فرایند (۱-۲): تراکم آدیاباتیک که طی آن $W_{12} = -980 \frac{J}{mol}$ کار بر روی سیستم انجام می‌یابد.

فرایند (۲-۳): تراکم تحت فشار ثابت (سرمايش) که طی آن $W_{23} = -400 \frac{J}{mol}$ کار بر روی سیستم انجام می‌یابد.

فرایند (۳-۱): انبساط ایزوترمال که طی آن $W_{31} = 1280 \frac{J}{mol}$ کار توسط سیستم انجام می‌یابد.

اگر هر یک از فرایندهای فوق‌الذکر برگشت‌ناپذیر (Irreversible) با بازدهی 80% انجام یابند، گرمای خالص

(Net Heat ; Q_{net}) بیرون داده شده توسط سیستم طی سیکل برگشت‌ناپذیر تقریباً چند ژول بر مول است؟

$$(۱) \quad 701$$

$$(۲) \quad 1225$$

$$(۳) \quad 1330$$

$$(۴) \quad 2660$$

۷۶- برای خنک نگه داشتن یک خانه مسکونی در فصل تابستان در دمای $27^\circ C$ از یک سیستم تبرید استفاده

می‌شود دمای هوای بیرون خانه $39^\circ C$ است. ضریب پیشرفت COP سیکل تبرید 56% ضریب پیشرفت کارنو

بین همان دو دما است. نرخ نفوذ گرما از دیوارها و سقف خانه به داخل 108 مگاژول در ساعت تخمین زده

می‌شود. قدرت مصرفی تبرید چند کیلو وات است؟

$$(۱) \quad 107.82$$

$$(۲) \quad 5.61$$

$$(۳) \quad 4.42$$

$$(۴) \quad 2.14$$

۷۷- مخلوط گاز حاصل از احتراق یک سوخت هیدروکربوری در یک کوره در دمای 1200 K به وسیله لوله‌ای به قطر 12 cm با سرعت خطی $25\frac{\text{m}}{\text{s}}$ وارد یک خنک‌کننده می‌شود و در دمای 540 K توسط لوله‌ای با سرعت خطی $20\frac{\text{m}}{\text{s}}$ از آن خارج می‌گردد. در صورت یکنواخت بودن جریان‌ها و فشار پایین‌تر نزدیک به اتمسفر یک در خنک‌کننده قطر خروجی چند متر باید باشد؟

- (۱) $0/4$ (۲) $0/9$
(۳) $1/2$ (۴) $1/8$

۷۸- دمای بویل (Boyle Temperature) برای یک گاز به صورت $\lim_{P \rightarrow 0} \left[\frac{\partial(Pv)}{\partial P} \right]_T = 0$ تعریف می‌شود. دمای

بویل T_B برای گازی که از معادله حالت ویربال (virial) $z = 1 + (b - \frac{a}{RT}) \frac{P}{RT} + \dots$ پیروی می‌کند، برحسب

ثابت‌های a و b کدام است؟

- (۱) $(\frac{a}{b})^{\frac{2}{3}}$ (۲) $(\frac{Rb}{a})^{\frac{5}{2}}$
(۳) $(\frac{a}{Rb})^{\frac{2}{3}}$ (۴) $(\frac{a}{Rb})^{\frac{1}{3}}$

۷۹- بازدهی حرارتی یک موتور کارنو (Carnot Engine) $0/75$ است. اگر یک پمپ حرارتی (Heat Pump) بر اساس همین سیکل کارنو کار کند، ضریب پیشرفت آن $(COP)_{HP}$ در صورتی که دمای منبع سرد صفر درجه سانتی‌گراد باشد، کدام است؟

- (۱) $0/35$ (۲) $1/33$
(۳) $2/55$ (۴) $3/36$

۸۰- اطلاعات تجربی زیر در خصوص خواص ترمودینامیکی حالت تعادل مایع و بخار اشباع یک ماده مفروض است. گرمای نهان تبخیر این ماده در دمای 300 K چند کیلوژول بر کیلوگرم است؟

دما (K)	فشار (kPa)	حجم مخصوص مایع ($\frac{\text{m}^3}{\text{kg}}$)	حجم مخصوص بخار ($\frac{\text{m}^3}{\text{kg}}$)
۲۹۵	۶	۰/۰۰۱	۲۵/۷۰۱
۳۰۰	۸	۰/۰۰۱	۲۰/۰۰۱
۳۰۵	۱۰	۰/۰۰۱	۱۶/۸۰۱

- (۱) 2200 (۲) 2300
(۳) 2400 (۴) 2500

مکانیک سیالات و انتقال حرارت:

۸۱- یک پمپ سانتریفیوژ برای پمپ کردن روغن با دور 1200 rpm استفاده می‌شود. چنانچه برای تست از روغنی با لزجت نصف روغن اصلی و پمپ با قطر دو برابر قطر اصلی استفاده شود، سرعت چرخش پمپ تست چند rpm است؟ (چگالی دو سیال را یکسان فرض کنید).

- (۱) ۱۵۰
(۲) ۳۰۰
(۳) ۶۰۰
(۴) ۱۲۰۰

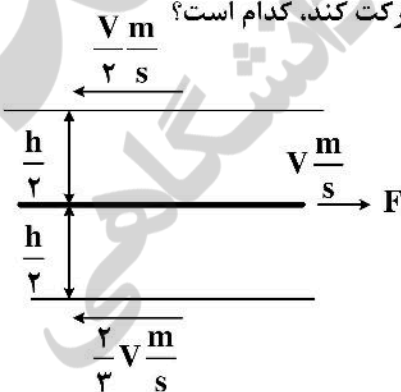
۸۲- در دو لوله یکسان از نظر جنس، قطر، طول و شیب، آب و نفت با دبی‌های یکسان جریان دارند. اگر تنش برشی هر دو لوله با یکدیگر برابر باشد، در کدام لوله تلفات اصطکاکی بیشتر است؟
(۱) آب
(۲) نفت
(۳) هر دو یکسان است.
(۴) با این معلومات نمی‌توان پاسخ داد.

۸۳- معادله مشخصه پمپی از رابطه $P = -0.35q^2 + 3.5$ تبعیت می‌کند که در این رابطه P فشار برحسب بار و q دبی است $(\frac{\text{kg}}{\text{s}})$. افت سیستم لوله‌کشی به صورت $P_{\text{loss}} = 0.35q^2$ است. اگر پمپی مشابه با این پمپ به صورت موازی نصب کنیم، دبی برحسب $\frac{\text{kg}}{\text{s}}$ برای کل سیستم چقدر خواهد بود؟

- (۱) ۴
(۲) $\sqrt{2}$
(۳) $\sqrt{10}$
(۴) $2\sqrt{2}$

۸۴- اگر قطر لوله‌ای در اثر طراحی اشتباه به جای ۱۰ اینچ، به ۱۱ اینچ در نظر گرفته شود، برای دبی یکسان، توان پمپ با فرض ضریب اصطکاک ثابت چند درصد افزایش می‌یابد؟
(۱) ۱۰
(۲) ۶۰
(۳) ۱۰۰
(۴) تغییری نمی‌کند.

۸۵- بین دو صفحه موازی متحرک که به فاصله h از هم قرار گرفته‌اند، یک ورقه نازک با توجه به شکل کشیده می‌شود. نیروی محرک لازم (F) بر واحد سطح برای اینکه صفحه با سرعت V حرکت کند، کدام است؟

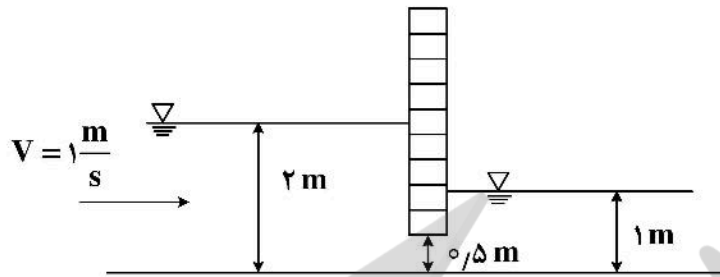


- (۱) $2 \frac{\mu V}{h}$
(۲) $4 \frac{\mu V}{h}$
(۳) $6 \frac{\mu V}{h}$
(۴) $8 \frac{\mu V}{h}$

۸۶- با توجه به شکل، نیروی افقی وارد بر دریچه به عرض ۲ m چند کیلونیوتن است؟

$$\rho = 1000 \frac{\text{kg}}{\text{m}^3}$$

$$g = 10 \frac{\text{m}}{\text{s}^2}$$



- ۴۰ (۱)
- ۳۰ (۲)
- ۲۶ (۳)
- ۲۰ (۴)

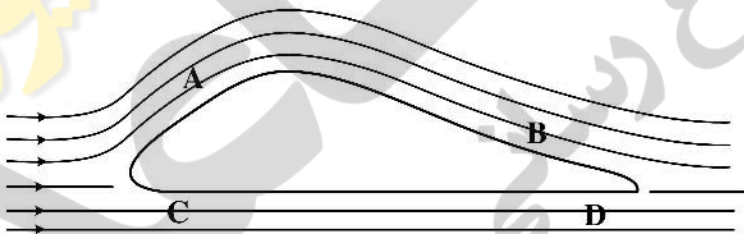
۸۷- لوله پیتوت برای چه کاری استفاده می‌شود؟

- (۱) تعیین فشار هوا
- (۲) تعیین دبی سیال
- (۳) تعیین سرعت در یک نقطه معین
- (۴) افت فشار در طول مشخص

۸۸- توزیع سرعت در لوله در جریان لایه‌ای (Laminar) با کدام عبارت زیر نشان داده می‌شود؟ (V_{max} سرعت ماکزیمم و r_0 شعاع لوله است.)

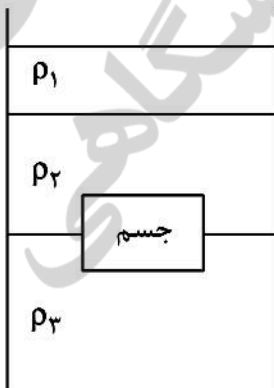
- (۱) $V_{max} [1 - (r/r_0)^2]$
- (۲) $V_{max} [1 + (r/r_0)^2]$
- (۳) $V_{max} [1 - (r/r_0)]$
- (۴) $V_{max} [1 + (r/r_0)]$

۸۹- در شکل زیر جریان هوا از روی یک ایرفویل در جهت نشان داده شده عبور می‌کند. امکان جدایش جریان سیال از ایرفویل در کدام ناحیه وجود دارد؟



- A (۱)
- B (۲)
- C (۳)
- D (۴)

۹۰- مطابق شکل جسمی در داخل مخزنی قرار داده شده که در آن سه مایع با جرم مخصوص ρ_1 ، ρ_2 و ρ_3 ریخته شده است. با توجه به محل قرارگیری جسم، نیروی شناوری وارد شده به آن تابعی است از:



- (۱) ρ_2 و ρ_1
- (۲) ρ_3 و ρ_1
- (۳) ρ_3 و ρ_2
- (۴) ρ_3 و $\rho_2 \cdot \rho_1$

۹۱- صفحه‌ای به طول یک متر در جریان هوای معمولی با سرعت $5 \frac{m}{s}$ و $v = 2.6 \times 10^{-6} \frac{m^2}{s}$ قرار دارد، ضریب انتقال

حرارت جابه‌جایی:

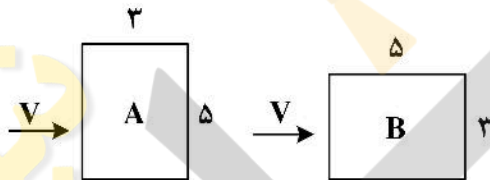
- (۱) در انتها کمتر است.
- (۲) در تمام نقاط یکسان است.
- (۳) در وسط صفحه بیشتر است.
- (۴) در ابتدای صفحه از بقیه جاها بیشتر است.

۹۲- کره فولادی به قطر 10 cm با دمای $T_i = 500^\circ \text{C}$ در داخل سیالی با دمای $T_\infty = 30^\circ \text{C}$ و $h_1 = 100 \frac{W}{m^2 K}$ قرار

می‌گیرد. 10 ثانیه طول می‌کشد تا 100°C افت دما در کره ایجاد شود. اگر شرایط طوری تغییر کند که ضریب جابه‌جایی نصف شود، چند ثانیه زمان نیاز است تا همین مقدار افت دما ایجاد شود؟

- (۱) ۵
- (۲) ۱۰
- (۳) ۲۰
- (۴) ۴۰

۹۳- به منظور خنک‌شدن صفحه‌ای به ابعاد $3 \times 5 \text{ m}^2$ آن را در مسیر جریان هوای سرد قرار می‌دهیم. کدام موقعیت در مقابل وزش باد موجب بیشتر خنک‌شدن آن می‌شود؟



- (۱) A
- (۲) B
- (۳) فرقی نمی‌کند.
- (۴) به سرعت هوا بستگی دارد.

۹۴- آب در 283 K و با سرعت $1 \frac{\text{cm}}{\text{s}}$ در لوله‌ای به قطر 1 cm که دارای دمای سطح $T_s = 373 \text{ K}$ است، در جریان

است. با دو برابر شدن سرعت، ضریب انتقال حرارت در جریان توسعه‌یافته چه تغییری می‌کند؟

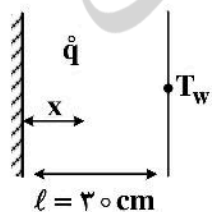
$$\left(v = 2 \times 10^{-6} \frac{m^2}{s} \right)$$

- (۱) تغییر نمی‌کند.
- (۲) افزایش می‌یابد.
- (۳) کاهش می‌یابد.
- (۴) نمی‌توان اظهار نظر کرد.

۹۵- در شکل زیر یک سمت دیوار عایق و سمت دیگر در مجاورت سیال قرار دارد. در داخل دیوار حرارت به میزان

$$q = 10^3 \left(1 - \left(\frac{x}{\ell} \right)^2 \right)$$

است؟



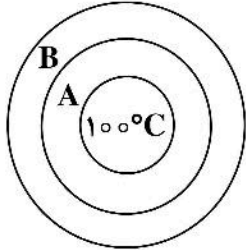
$$T_\infty = 80^\circ \text{C}$$

$$h = 20 \frac{W}{m \cdot C}$$

(q تولید حرارت در واحد حجم است.)

- (۱) ۷۰
- (۲) ۹۰
- (۳) ۱۰۰
- (۴) ۱۱۰

۹۶- یک استوانه مرکب شامل دو لایه A و B موجود است. دمای سطح داخلی لایه A، 100°C است. مقاومت هدایتی لایه A برابر $5 \frac{^{\circ}\text{C}}{\text{W}}$ و مقاومت سطح تماس بین دو لایه $3 \frac{^{\circ}\text{C}}{\text{W}}$ است. اگر نرخ انتقال حرارت در حالت پایا در این



استوانه 6W باشد، دمای سطح داخلی B چند درجه سلسیوس است؟

- (۱) ۳۰
- (۲) ۵۰
- (۳) ۷۰
- (۴) ۸۰

۹۷- اگر هدف از مبدل زیر گرم کردن باشد، راندمان آن چند درصد است؟



- (۱) ۶۰
- (۲) ۷۵
- (۳) ۹۰
- (۴) ۱۰۰

۹۸- در جریان لایه‌ای یک سیال روی صفحه تخت و صاف، ضریب انتقال گرمای همرفتی به تدریج افزایش می‌یابد. اگر:

- (۱) چگالی سیال کاهش یابد.
- (۲) لزجت سیال افزایش یابد.
- (۳) سرعت جریان کاهش یابد.
- (۴) فاصله جریان از لبه هادی صفحه افزایش یابد.

۹۹- جریان آب بادمای 20°C وارد لوله‌ای با دمای سطح ثابت 100°C می‌شود. اگر جریان آرام و خواص آب ثابت باشد، کدام گزینه درست است؟ (جریان را توسعه یافته فرض کنید.)

- (۱) نرخ انتقال حرارت در طول لوله ثابت است.
- (۲) نرخ انتقال حرارت در انتهای لوله بیشتر از نرخ انتقال حرارت در ابتدای لوله است.
- (۳) نرخ انتقال حرارت در انتهای لوله کمتر از نرخ انتقال حرارت در ابتدای لوله است.
- (۴) نرخ انتقال حرارت تابع عدد پرانتل است و در مورد تغییرات آن در طول لوله نمی‌توان اظهارنظر نمود.

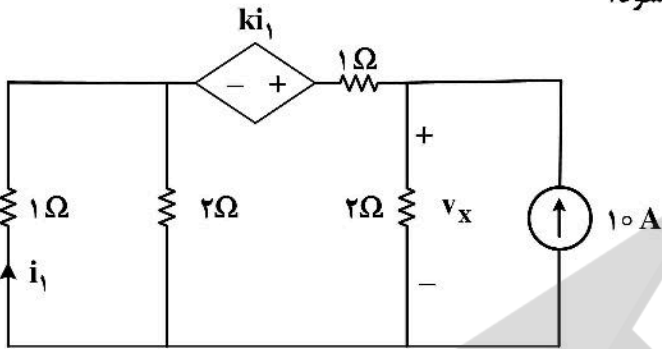
۱۰۰- یک قطعه الکترونیکی به شکل مکعب مستطیل با قاعده $5\text{mm} \times 5\text{mm}$ و ارتفاع 5mm بر روی صفحه‌ای نصب شده است. تبادل حرارت از وجوه کناری قطعه ناچیز هستند. اگر سطح بالایی این قطعه با شدت 4W به هوای اطرافش حرارت بدهد، اختلاف دمای سطح بالایی و پایینی قطعه بر حسب درجه سلسیوس برابر کدام گزینه است؟

(ضریب هدایت حرارتی قطعه را $k = 100 \left(\frac{\text{W}}{\text{m}^{\circ}\text{C}}\right)$ در نظر بگیرید.)

- (۱) ۰٫۴
- (۲) ۰٫۸
- (۳) ۰٫۶
- (۴) ۱٫۰

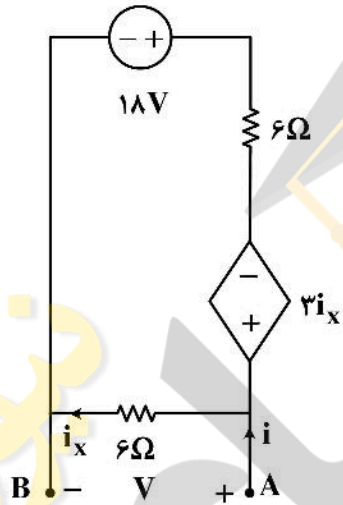
مدارهای الکتریکی (۲و۱):

۱۰۱- در مدار شکل مقابل k چقدر باشد، تا v_x برابر صفر شود؟



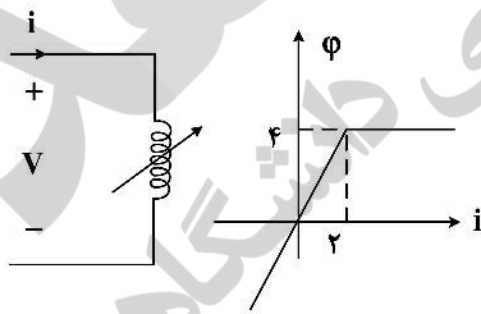
- (۱) ۱٫۵
- (۲) ۲٫۵
- (۳) ۳٫۵
- (۴) ۵٫۵

۱۰۲- پارامترهای مدار معادل تونن از دوسر A و B کدام است؟



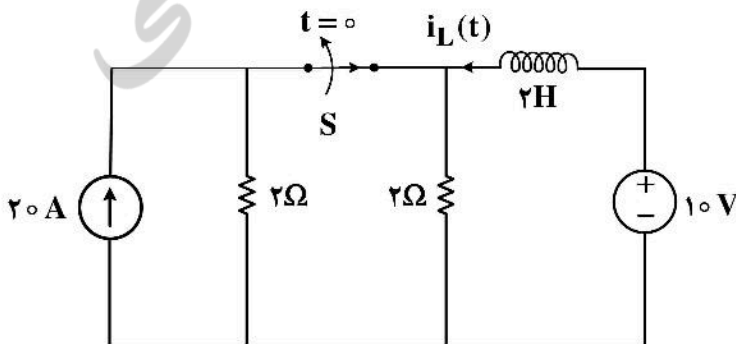
- (۱) $V_{oc} = 12V, R_{cq} = 4\Omega$
- (۲) $V_{oc} = 12V, R_{eq} = 3\Omega$
- (۳) $V_{oc} = 4V, R_{eq} = 4\Omega$
- (۴) $V_{oc} = 4V, R_{eq} = 3\Omega$

۱۰۳- مشخصه یک سلف خطی طبق شکل زیر داده شده است. اگر جریان این سلف $i(t) = 2tu(t)$ باشد، ولتاژ آن کدام است؟



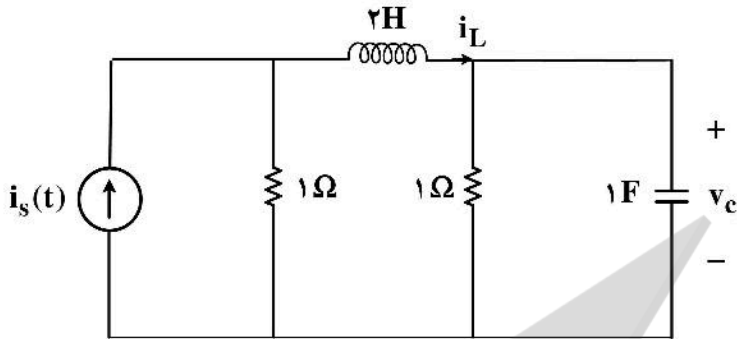
- (۱) $V(t) = 4tu(t) - 4tu(t-1)$
- (۲) $V(t) = 4u(t)$
- (۳) $V(t) = 4tu(t)$
- (۴) $V(t) = 4u(t) - 4u(t-1)$

۱۰۴- در مدار شکل زیر شکل S در لحظه $t = 0$ باز می‌شود. معادله $i_L(t)$ برای $t > 0$ کدام است؟



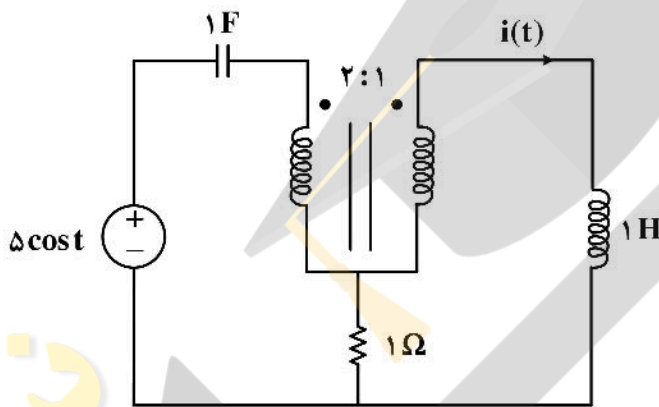
- (۱) $-5 - 5e^{-t}$
- (۲) $-5 + 15e^{-t}$
- (۳) $5 - 15e^{-t}$
- (۴) $5 + 15e^{-t}$

۱۰۵- اگر $i_s(t) = u(t)$ و مدار در لحظه $t = 0^-$ در حالت صفر باشد، $\frac{di_L}{dt}$ کدام است؟



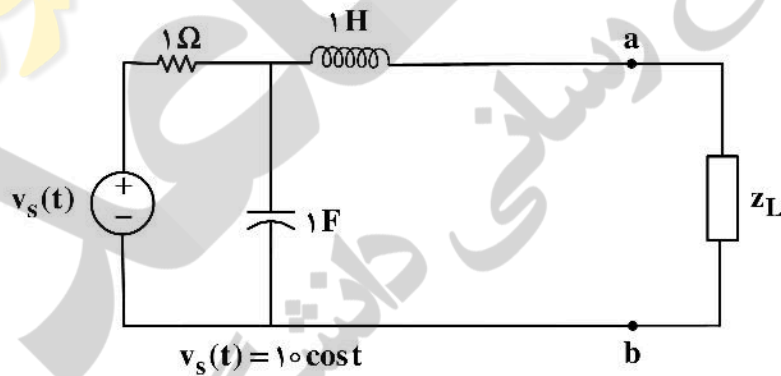
- (۱) $-\frac{1}{s} \text{ A}$
- (۲) $\frac{1}{2s} \text{ A}$
- (۳) $\frac{1}{s} \text{ A}$
- (۴) $2 \frac{\text{A}}{s}$

۱۰۶- مدار شکل زیر در حالت دائمی سینوسی است و ترانس ایدئال است. جریان $i(t)$ کدام است؟



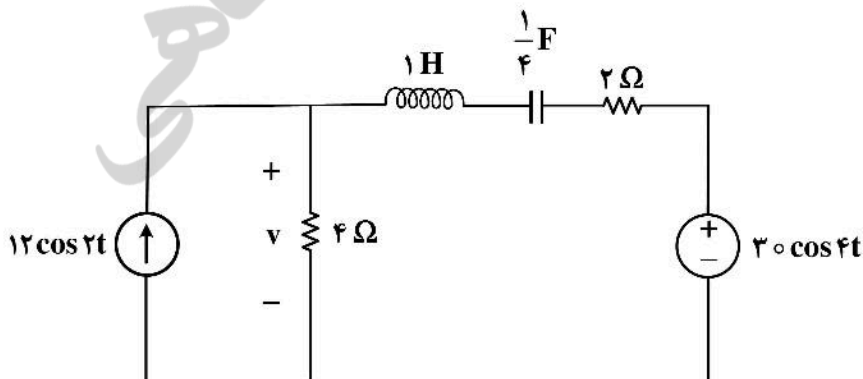
- (۱) $\cos t + \sin t$
- (۲) $\cos t + 3 \sin t$
- (۳) $3 \cos t + \sin t$
- (۴) $3 \cos t + 3 \sin t$

۱۰۷- در مدار شکل زیر امیدانس Z_L شامل چه عناصری باشد تا توان متوسط تحویل داده شده آن ماکزیمم گردد؟



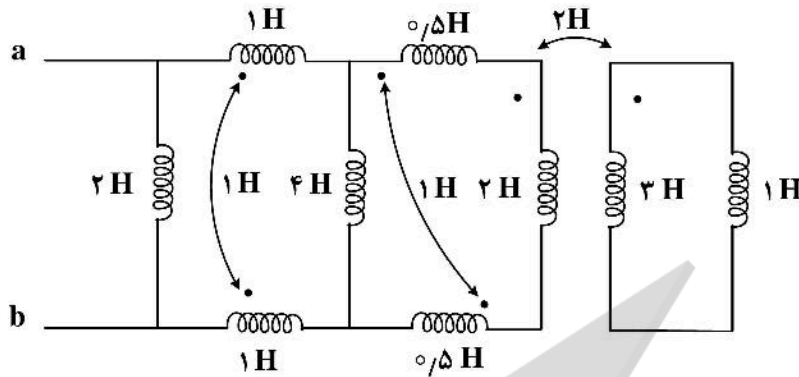
- (۱) اتصال سری $L = 2 \text{ H}$ و $R = \frac{1}{2} \Omega$
- (۲) اتصال سری $L = 2 \text{ H}$ و $R = 2 \Omega$
- (۳) اتصال سری $C = 2 \text{ F}$ و $R = 2 \Omega$
- (۴) اتصال سری $C = 2 \text{ F}$ و $R = \frac{1}{2} \Omega$

۱۰۸- در مدار شکل زیر، ولتاژ $v(t)$ در حالت دائمی برابر است با: $v(t) = A_1 \cos(2t + \theta_1) + A_2 \cos(4t + \theta_2)$



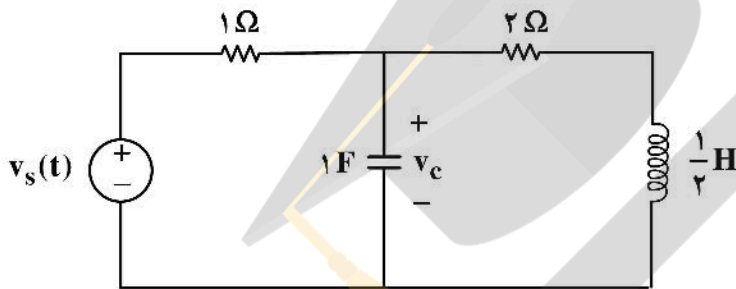
- نسبت $\left(\frac{A_2}{A_1}\right)^2$ کدام است؟
- (۱) ۹
 - (۲) ۴
 - (۳) $\frac{5}{4}$
 - (۴) $\frac{1}{4}$

۱۰۹- اندوکتانس معادل دیده شده از دو سر ab چند هانری است؟



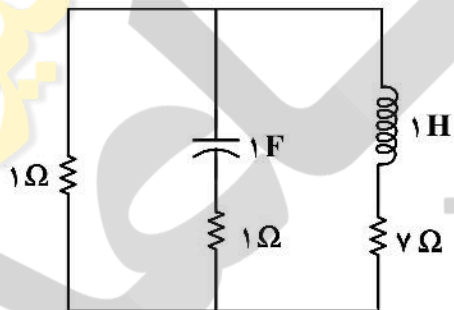
- ۱ (۱)
- ۲ (۲)
- ۳ (۳)
- ۴ (۴)

۱۱۰- پاسخ حالت صفر $v_c(t)$ به ورودی $v_s(t) = 6e^{-4t}u(t)$ کدام است؟



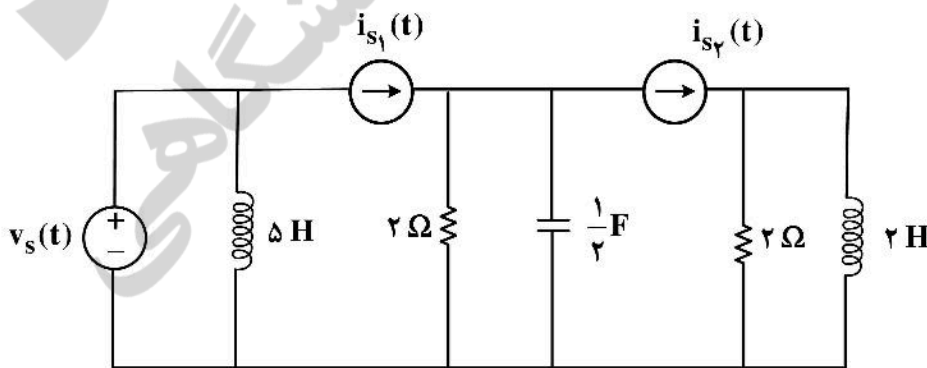
- (۱) $e^{-2t} - 6e^{-3t}$
- (۲) $6e^{-2t} - e^{-3t}$
- (۳) $e^{-2t} + e^{-3t}$
- (۴) $6e^{-2t} - 6e^{-3t}$

۱۱۱- در مدار زیر کدام گزینه درست است؟



- (۱) بی اتلاف است.
- (۲) میرای ضعیف است.
- (۳) میرای شدید است.
- (۴) میرای بحرانی است.

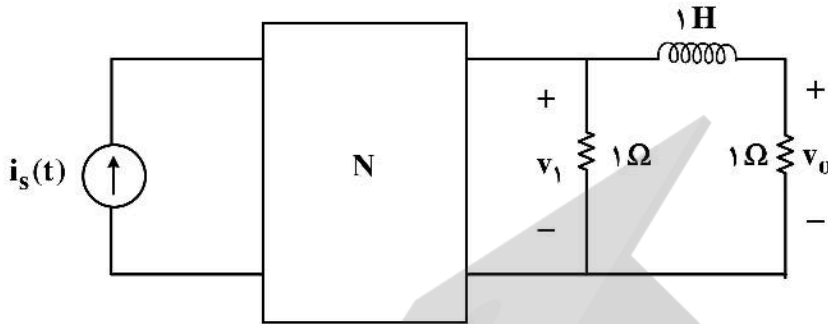
۱۱۲- فرکانس(های) طبیعی مدار شکل زیر کدام است؟



- (۱) -۱
- (۲) ۰, -۱
- (۳) -۱, -۱
- (۴) ۰, -۱, -۱

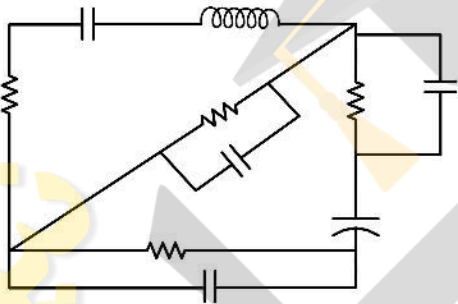
۱۱۳- شبکه N از عناصر RLC خطی تغییرناپذیر با زمان تشکیل شده است و تابع شبکه $H_1(s) = \frac{V_1(s)}{I_s(s)} = \frac{s+1}{s^2+s+1}$

را داریم. تابع شبکه $H_2(s) = \frac{V_o(s)}{I_s(s)}$ کدام است؟



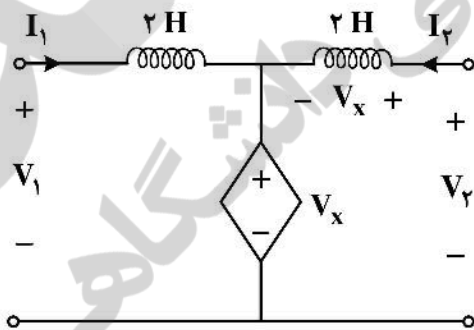
- (۱) $\frac{1}{s^2+s+1}$
- (۲) $\frac{(s+1)^2}{s^2+s+1}$
- (۳) $\frac{1}{(s+1)(s^2+s+1)}$
- (۴) $\frac{2(s+1)}{s^2+s+1}$

۱۱۴- در مدار داده شده چند فرکانس طبیعی غیر صفر وجود دارد؟ (همه عناصر پسیو هستند).



- (۱) ۴
- (۲) ۵
- (۳) ۶
- (۴) ۷

۱۱۵- در مدار دوقطبی زیر، ماتریس ادمیتانس اتصال کوتاه کدام است؟ $\begin{pmatrix} I_1 \\ I_2 \end{pmatrix} = Y \begin{pmatrix} V_1 \\ V_2 \end{pmatrix}$



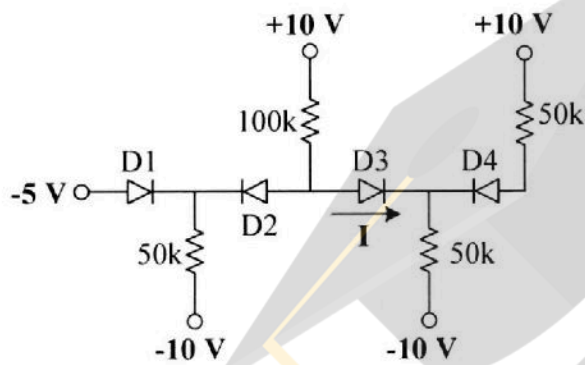
- (۱) $Y = \begin{pmatrix} \frac{1}{4s} & -\frac{1}{2s} \\ 0 & \frac{1}{2s} \end{pmatrix}$
- (۲) $Y = \begin{pmatrix} 0 & 4s \\ 2s & 2s \end{pmatrix}$
- (۳) $Y = \begin{pmatrix} \frac{1}{2s} & -\frac{1}{4s} \\ 0 & \frac{1}{4s} \end{pmatrix}$
- (۴) $Y = \begin{pmatrix} -2s & 4s \\ 0 & 2s \end{pmatrix}$

الکترونیک (۲و۱):

۱۱۶- در یک میله سیلیکن با سطح مقطع 50 میلی‌مترمربع و طول 2 میلی‌متر، به تعداد 10^{16} cm^{-3} اتم‌های بور به صورت یکنواخت تزریق شده‌اند. چگالی حامل‌های آزاد سیلیکن ذاتی را برابر با 10^{10} cm^{-3} در نظر بگیرید. تعداد کل الکترون‌های آزاد آن تقریباً برابر با کدام است؟

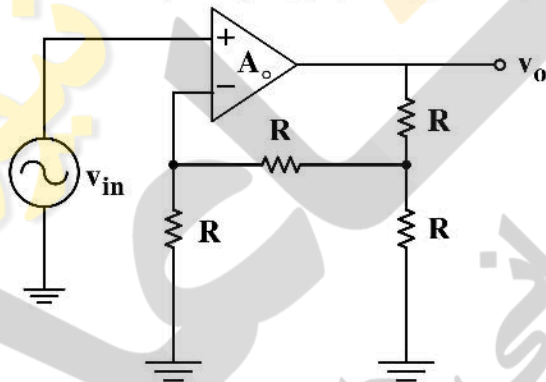
- (۱) ۵۰۰
- (۲) ۱۰۰۰
- (۳) ۱۵۰۰
- (۴) ۲۰۰۰

۱۱۷- جریان مشخص شده در مدار چند میلی‌آمپر است؟ (دیودها را ایدئال در نظر بگیرید).



- (۱) صفر
- (۲) ۰/۰۴
- (۳) ۰/۰۸
- (۴) ۰/۱۶

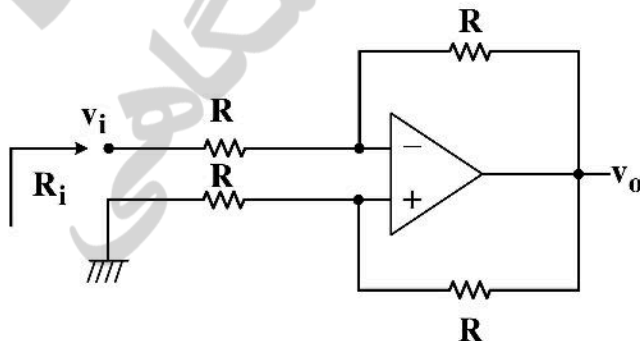
۱۱۸- در مدار شکل زیر بهره تقویت‌کننده، $A_o = \infty$ است. بهره حلقه بسته مدار به کدام گزینه نزدیک‌تر است؟



- (۱) $\frac{1}{5}$
- (۲) $\frac{4}{5}$
- (۳) $\frac{5}{4}$
- (۴) $\frac{5}{5}$

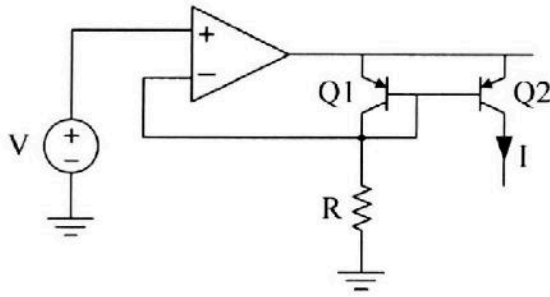
۱۱۹- در مدار شکل زیر با فرض اینکه OP-AMP به کار رفته دارای بهره حلقه باز 10^6 و مقاومت ورودی بی‌نهایت است،

امپدانس ورودی (R_i) کدام است؟



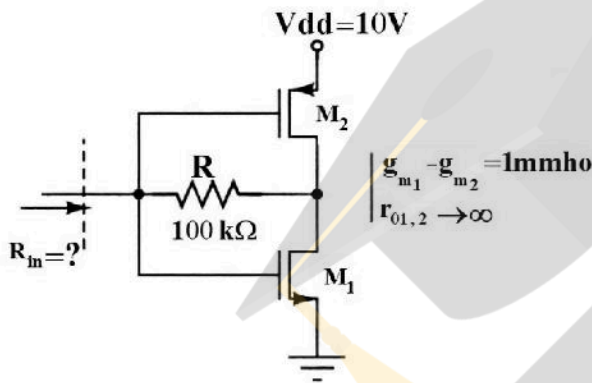
- (۱) $\frac{R}{3}$
- (۲) $\frac{R}{2}$
- (۳) R
- (۴) ۲R

۱۲۰- در مدار شکل زیر با فرض ایدئال بودن آپ امپ، بیشینه ولتاژ کلکتور ترانزیستور Q2 و مقدار جریان I به ترتیب کدام است؟



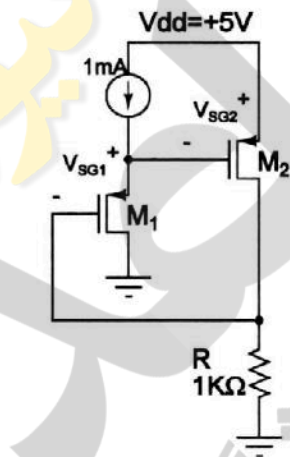
- (۱) V/R و $V - V_{EC(sat)}$
- (۲) $(V - V_{EB})/R$ و $V + V_{EB} - V_{EC(sat)}$
- (۳) V/R و $V + V_{EB} - V_{EC(sat)}$
- (۴) $(V - V_{EB})/R$ و $V - V_{EC(sat)}$

۱۲۱- مقاومت ورودی R_{in} در مدار داده شده چقدر است؟



- (۱) بی نهایت
- (۲) $100\text{ k}\Omega$
- (۳) $1\text{ k}\Omega$
- (۴) $500\ \Omega$

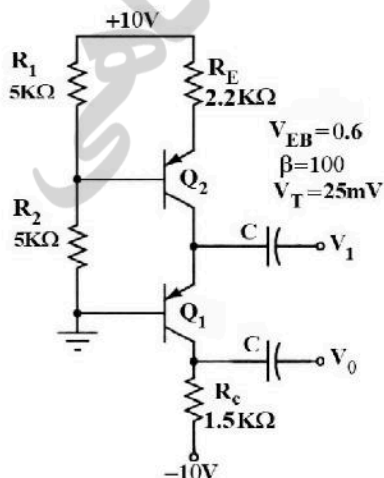
۱۲۲- مقدار ولتاژ V_{SG2} در مدار داده شده، چند ولت است؟



(فرض کنید $V_{TH} = -1\text{V}$ و $\mu_p C_{ox} \frac{W}{L} = 2\text{ mA/V}^2$)

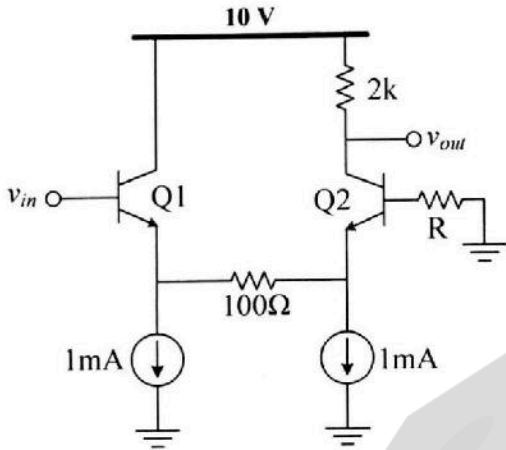
- (۱) ۴
- (۲) $2/5$
- (۳) ۲
- (۴) $1/5$

۱۲۳- بهره ولتاژ $A_v = \frac{V_o}{V_i}$ در مدار تقویت کننده زیر، چقدر است؟



- (۱) $+500$
- (۲) $+120$
- (۳) $+50$
- (۴) $+1$

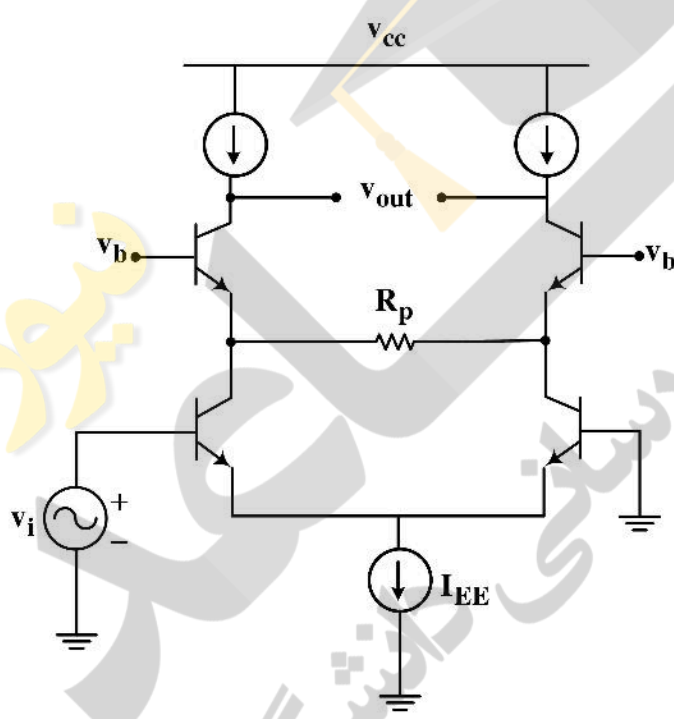
۱۲۴- در مدار شکل زیر با فرض یکسان بودن جریان بایاس ترانزیستورها و $R = 5k\Omega$ ، بهره ولتاژ $A_V = V_{out}/V_{in}$ کدام است؟



$\beta = 100$
 $V_T = 25mV$
 $V_A = \infty$

- (۱) ۷
- (۲) ۱۰
- (۳) ۱۳
- (۴) ۱۸

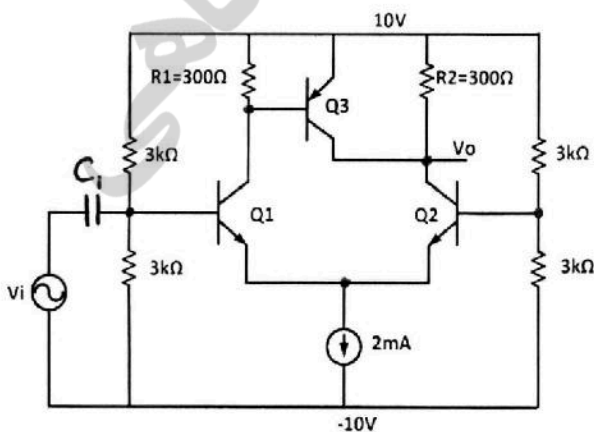
۱۲۵- در مدار شکل زیر با فرض فعال بودن همه ترانزیستورها، اندازه بهره ولتاژ $\frac{v_{out}}{v_i}$ به کدام گزینه نزدیک تر است؟



(فرض کنید: $(R_p = \frac{1}{g_m})$)

- (۱) $3g_m r_o$
- (۲) $g_m r_o$
- (۳) $\frac{g_m r_o}{2}$
- (۴) $\frac{g_m r_o}{3}$

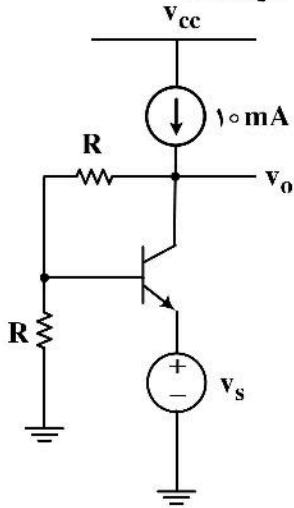
۱۲۶- در مدار زیر، بهره ولتاژ (V_o/V_i) کدام است؟



$\beta = 100$
 $V_{BE} = 700mV$
 $V_T = 25mV$

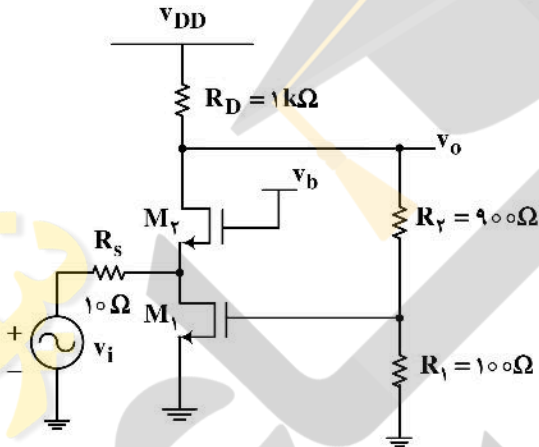
- (۱) ۶
- (۲) ۱۲
- (۳) -۶
- (۴) -۱۲

۱۲۷- در مدار شکل زیر اگر $R = r_{\pi}$ باشد، بهره تقویت کننده $(\frac{v_o}{v_s})$ به کدام گزینه نزدیک تر است؟



- ۱ (۱)
- ۲ (۲)
- ۳ (۳)
- ۴ (۴)

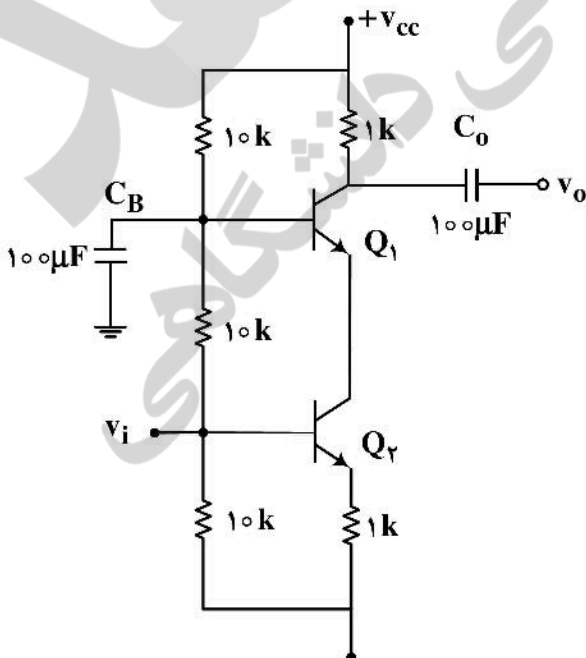
۱۲۸- در مدار شکل مقابل نسبت $(\frac{v_o}{v_i})$ به کدام گزینه نزدیک تر است؟



$(g_{m1} = g_{m2} = 400 \text{ mS})$

- ۲/۵ (۱)
- ۲/۵ (۲)
- ۱۰ (۳)
- ۱۰ (۴)

۱۲۹- در مدار شکل زیر با فرض $V_{BE} = 0.7 \text{ V}$ ، $\beta = 150$ ، فرکانس قطع پایین مدار به کدام گزینه نزدیک تر است؟



(فرض کنید $r_{\pi} = 1 \text{ k}\Omega$)

(۱) فرکانس قطع ندارد.

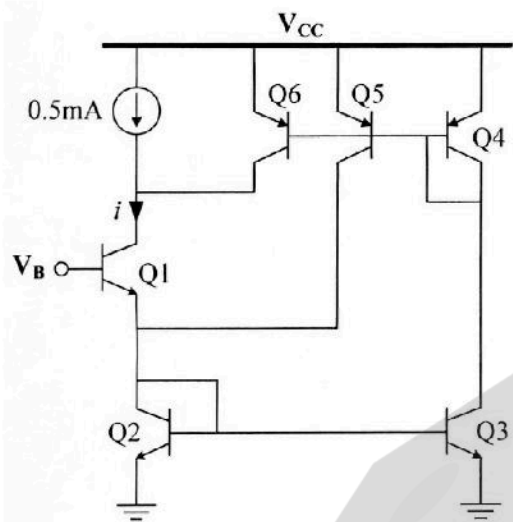
- ۲) ۰/۳ هرتز
- ۳) ۱/۹ هرتز
- ۴) ۱۰ هرتز

۱۳۰- مقدار جریان i در مدار شکل زیر، چند mA است؟

$$A_{E4} = 2A_{E5,6}$$

$$A_{E2} = 2A_{E3}$$

$$\beta \gg 1$$



۰٫۷۵ (۱)

۱ (۲)

۱٫۲۵ (۳)

۱٫۵ (۴)

نیوز

روزگار

سازمان آشنایی و اطلاع رسانی دانشگاهی

سازمان آشنایی و اطلاع رسانی دانشگاهی

